

Rittal – The System.

Faster – better – worldwide.

➤ Rittal – WM Stainless Steel Enclosures



ENCLOSURES

POWER DISTRIBUTION

CLIMATE CONTROL

IT INFRASTRUCTURE

SOFTWARE & SERVICES

FRIEDHELM LOH GROUP



**Precision engineered,
even where it doesn't show...**



**Details on the back side hint at the engineering
innovations WM enclosures incorporate, inside and out!**

Engineered to make the small stuff matter.

Rittal WM stainless steel enclosures protect critical equipment in harsh environments under the most demanding conditions by paying attention to design elements like blind nuts on the back side that insure a snug fit and make flush-to-the-wall installations a snap.

When precision instruments, measuring tools and critical controls need protection from the elements, inside or out, Rittal's durable, one-piece, space-saving wallmount designs are easy to install and maintain.

Stainless steel enclosures are available in a variety of shapes, sizes and configurations for use in the most demanding environments with a range of critical protection ratings – from UL Type 12 to Type 4X – and for use in sensitive areas in a variety of industrial settings.

Enhancing the lineup of standard wall-mounted enclosures are slope top units and specialized designs incorporating flange-mounting configuration featuring a universal disconnect cutout. The slope top models have a 20-degree overhanging sloped roof to accommodate a variety of specialized installations.

Backed by the Rittal System approach to accessories and support, there's a WM stainless steel unit ready to take on your challenges.

Standard features include:

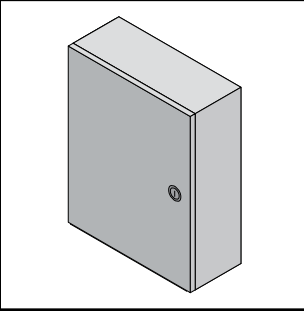
- 304 and 316L stainless steel construction
- Blind nut mounting
- Secure locking system
- Foamed-on gaskets
- Zinc-plated mounting panels
- Protection ratings for the most demanding conditions

Detailed drawings are available at www.rittal.us.



WM Stainless Steel Enclosures

Single Door, Disconnect, Slope Top



Stainless Steel UL Type 12, 3R, 4, 4x Single Door—Type 304, 316L

Configuration:

- One-piece enclosure body
- Left-hand hinge
- Slotted head insert
- Single door WM less than 20" high have one ¼ turn latch
- Single door WM 20 - 40" high have two ¼ turn latches
- Single door WM enclosures greater than or equal to 42" high have an L-Handle
- Includes mounting panel
- Wall-mounting blind nuts
- Foamed-in-place gasket

Finish:

- Enclosure and door: #4 Brushed
- Mounting panel: Zinc-plated carbon steel

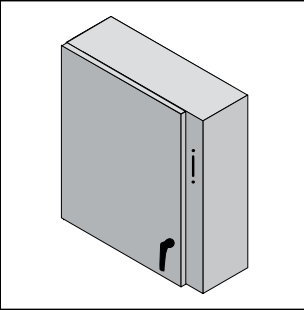
Material:

- Type 304 stainless steel
- Enclosure and door:
 - 12" H x 12" W – 24" H x 20" W: 16 ga body/ 16 ga door
 - 24" H x 24" W – 36" H x 24" W: 16 ga body/ 14 ga door

- 36" H x 30" W – 60" H x 36" W: 14 ga body/ 14 ga door

Protection rating:

- Single door enclosures:
 - UL/cUL Type 12 (IP 55 to EN 60 529/10.91)
 - UL/cUL Type 3R (IP 66 to EN 60 529/10.91)
 - UL/cUL Type 4 (IP 66 to EN 60 529/10.91)
 - UL/cUL Type 4X (IP 66 to EN 60 529/10.91)



Stainless Steel UL Type 12, 3R, 4, 4x Disconnect—Type 304, 316L

Configuration:

- One-piece enclosure body
- Left-hand hinge
- Universal disconnect cut-out
- 2 or 3-point latching L-handle
- Includes mounting panel
- Wall-mounting blind nuts
- Foamed-in-place gasket

Finish:

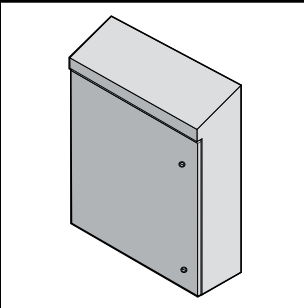
- Enclosure: #4 Brushed
- Mounting panel: Zinc-plated carbon steel

Material:

- Type 304 stainless steel
- Enclosure and door:
 - 14 ga body/ 14 ga door except for 24 x 26 - 16 ga body/14 ga door

Protection rating:

- UL/cUL Type 12 (IP 55 to EN 60 529/10.91)
- UL/cUL Type 3R (IP 66 to EN 60 529/10.91)
- UL/cUL Type 4 (IP 66 to EN 60 529/10.91)
- UL/cUL Type 4X (IP 66 to EN 60 529/10.91)



Stainless Steel UL Type 1, 12, 3R, 4, 4x Slope Top—Type 304, 316L

Configuration:

- One-piece enclosure body
- Left-hand hinge
- 20° overhanging sloped roof
- Slotted head spring loaded insert
- Single door WMS less than 20" high have one ¼ turn latch
- Single door WMS 20 - 40" high have two ¼ turn latches
- Single door WMS enclosures greater than or equal to 42" high have an L-Handle
- Includes mounting panel
- Wall-mounting blind nuts
- Foamed-in-place gasket

Finish:

- Enclosure and door: #4 Brushed
- Mounting panel: Zinc-plated carbon steel

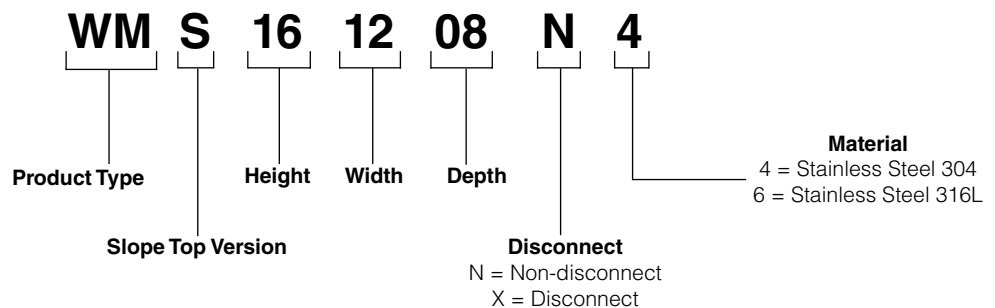
Material:

- Type 304 stainless steel
- Enclosure and door:
 - 16" H x 12" W – 24" H x 20" W: 16 ga body / 16 ga door
 - 24" H x 24" W – 30" H x 24" W: 16 ga body / 14 ga door
 - 30" H x 30" W – 60" H x 36" W: 14 ga body / 14 ga door

Protection rating:

- UL/cUL Type 1, 12, 3R, 4, 4X
- UL file #: E170282

Understanding the Part Number



WM Stainless Steel Enclosures

Stainless Steel UL Type 12, 3R, 4, 4x Single Door — Type 304, 316L

Rittal's WM enclosure sets the standard for maximum use of space and ease of installation — WM compact enclosures can be used for virtually any application. A secure locking system, foamed-on gasket and knife-edge perimeter ensure NEMA protection ratings. Features include a one-piece body of durable 304 or 316L stainless steel rated to stand up to the harshest environments.

Part No.	Description	Door(s)	HxWxD inches	HxWxD mm	Mounting Panel (included) ¹⁾	Panel HxW inches	Panel HxW mm
WM121206N4	WM 12x12x6 Type 304	1	12x12x6	300x300x150	WMMP1212	11x10	275x254
WM161206N4	WM 16x12x6 Type 304	1	16x12x6	400x300x150	WMMP1612	15x10	375x254
WM161606N4	WM 16x16x6 Type 304	1	16x16x6	400x400x150	WMMP1616	15x14	375x354
WM201606N4	WM 20x16x6 Type 304	1	20x16x6	500x400x150	WMMP2016	19x14	475x354
WM202006N4	WM 20x20x6 Type 304	1	20x20x6	500x500x150	WMMP2020	19x18	475x449
WM161208N4	WM 16x12x8 Type 304	1	16x12x8	400x300x210	WMMP1612	15x10	375x254
WM201608N4	WM 20x16x8 Type 304	1	20x16x8	500x400x210	WMMP2016	19x14	475x354
WM202008N4	WM 20x20x8 Type 304	1	20x20x8	500x500x210	WMMP2020	19x18	470x449
WM241608N4	WM 24x16x8 Type 304	1	24x16x8	600x400x210	WMMP2416	22x14	570x354
WM242008N4	WM 24x20x8 Type 304	1	24x20x8	600x500x210	WMMP2420	22x18	570x449
WM242408N4	WM 24x24x8 Type 304	1	24x24x8	600x600x210	WMMP2424	22x22	570x549
WM302408N4	WM 30x24x8 Type 304	1	30x24x8	760x600x210	WMMP3024	29x22	730x549
WM303008N4	WM 30x30x8 Type 304	1	30x30x8	760x760x210	WMMP3030	29x28	730x704
WM362408N4	WM 36x24x8 Type 304	1	36x24x8	900x600x210	WMMP3624	34x22	870x549
WM363008N4	WM 36x30x8 Type 304	1	36x30x8	900x760x210	WMMP3630	34x28	870x704
WM242010N4	WM 24x20x10 Type 304	1	24x20x10	600x500x250	WMMP2420	22x18	570x449
WM302410N4	WM 30x24x10 Type 304	1	30x24x10	760x600x250	WMMP3024	29x22	730x549
WM303010N4	WM 30x30x10 Type 304	1	30x30x10	760x760x250	WMMP3030	29x28	730x704
WM363010N4	WM 36x30x10 Type 304	1	36x30x10	900x760x250	WMMP3630	34x28	870x704
WM483610N4	WM 48x36x10 Type 304	1	48x36x10	1200x900x250	WMMP4836	45x33	1155x840
WM242412N4	WM 24x24x12 Type 304	1	24x24x12	600x600x300	WMMP2424	23x22	570x549
WM302412N4	WM 30x24x12 Type 304	1	30x24x12	760x600x300	WMMP3024	29x22	730x549
WM363012N4	WM 36x30x12 Type 304	1	36x30x12	900x760x300	WMMP3630	34x28	870x704
WM363612N4	WM 36x36x12 Type 304	1	36x36x12	900x900x300	WMMP3636	34x33	870x840
WM423612N4	WM 42x36x12 Type 304	1	42x36x12	1050x900x300	WMMP4236	40x33	1020x840
WM483612N4	WM 48x36x12 Type 304	1	48x36x12	1200x900x300	WMMP4836	45x33	1155x840
WM603612N4	WM 60x36x12 Type 304	1	60x36x12	1500x900x300	WMMP6036	57x33	1455x840
WM363016N4	WM 36x30x16 Type 304	1	36x30x16	900x760x400	WMMP3630	34x28	870x704
WM483616N4	WM 48x36x16 Type 304	1	48x36x16	1200x900x400	WMMP4836	46x33	1155x840
WM603616N4	WM 60x36x16 Type 304	1	60x36x16	1500x900x400	WMMP6036	57x33	1455x840

¹⁾ To order mounting panel in stainless steel add S6 to the end of the part number.

Note: To order WM wallmount enclosures in Type 316L stainless steel replace N4 ending with N6 (extended delivery times).

Stainless Steel UL Type 12, 3R, 4, 4x Disconnect — Type 304, 316L

Rittal's WM FMD enclosure sets the standard for maximum use of space and ease of installation. Rittal's WM compact enclosures can be used for virtually any application. NEMA protection ratings are ensured through a secure locking system, foamed-on gasket, and knife-edge perimeter. Features include a body constructed of cold rolled steel, steel doors, and included mounting panel.

Part No.	Description	Door(s)	HxWxD inches	HxWxD mm	Mounting Panel (included) ¹⁾	Panel HxW inches	Panel HxW mm
WM242608X4	WM 24x26x8 Type 304	1	24x26x8	600x650x210	WMMP2426	22x22	570x549
WM363208X4	WM 36x32x8 Type 304	1	36x32x8	900x825x210	WMMP3630	34x28	870x704
WM363210X4	WM 36x32x10 Type 304	1	36x32x10	900x825x250	WMMP3630	34x28	870x704
WM603810X4	WM 60x38x10 Type 304	1	60x38x10	1500x975x250	WMMP6036	57x33	1455x840
WM363212X4	WM 36x32x12 Type 304	1	36x32x12	900x825x300	WMMP3630	34x28	870x704
WM423212X4	WM 42x32x12 Type 304	1	42x32x12	1050x825x300	WMMP4230	40x33	120x840
WM483812X4	WM 48x38x12 Type 304	1	48x38x12	1200x975x300	WMMP4836	45x33	1155x840
WM603612X4	WM 60x38x12 Type 304	1	60x38x12	1500x975x300	WMMP6036	57x33	1455x840
WM483816X4	WM 48x38x16 Type 304	1	48x38x16	1200x975x400	WMMP4836	46x33	1155x840

¹⁾ To order mounting panel in stainless steel add S6 to the end of the part number.

Note: To order WM wallmount enclosures in Type 316L stainless steel replace N4 ending with N6 (extended delivery times).

WM Stainless Steel Enclosures, Accessories

Stainless Steel UL Type 1, 12, 3R, 4, 4x Slope Top—Type 304, 316L

Rittal's innovative slope top wallmount enclosure is designed for food/beverage and pharmaceutical applications or any environment where sanitation concerns require frequent washdowns. The 20° overhanging sloped roof prevents standing water from accumulating on top of the enclosure and door opening.

Part No.	Description	Door(s)	HxWxD inches	HxWxD mm	Mounting Panel (included) ¹⁾	Panel HxW inches	Panel HxW mm
WMS161208N4	WM 16x12x8 Type 304	1	16x12x8	395x300x210	WMMP1612	15x10	375x254
WMS161608N4	WM 16x16x8 Type 304	1	16x16x8	395x400x210	WMMP1616	15x14	375x354
WMS201608N4	WM 20x16x8 Type 304	1	20x16x8	495x400x210	WMMP2016	19x14	475x354
WMS202008N4	WM 20x20x8 Type 304	1	20x20x8	495x500x210	WMMP2020	19x18	475x449
WMS242008N4	WM 24x20x8 Type 304	1	24x20x8	595x500x210	WMMP2420	22x18	570x449
WMS242408N4	WM 24x24x8 Type 304	1	24x24x8	595x600x210	WMMP2424	22x22	570x549
WMS302408N4	WM 30x24x8 Type 304	1	30x24x8	755x600x210	WMMP3024	29x22	730x549
WMS303008N4	WM 30x30x8 Type 304	1	30x30x8	755x760x210	WMMP3030	29x28	730x704
WMS363008N4	WM 36x30x8 Type 304	1	36x30x8	895x760x210	WMMP3630	34x28	870x704
WMS201612N4	WM 20x16x12 Type 304	1	20x16x12	495x400x300	WMMP2016	19x14	475x354
WMS202012N4	WM 20x20x12 Type 304	1	20x20x12	495x500x300	WMMP2020	19x18	475x449
WMS242412N4	WM 24x24x12 Type 304	1	24x24x12	595x600x300	WMMP2424	22x22	570x549
WMS302412N4	WM 30x24x12 Type 304	1	30x24x12	755x600x300	WMMP3024	29x22	730x549
WMS363012N4	WM 36x30x12 Type 304	1	36x30x12	895x760x300	WMMP3630	34x28	870x704
WMS363612N4	WM 36x36x12 Type 304	1	36x36x12	895x900x300	WMMP3636	34x33	870x804
WMS363016N4	WM 36x30x16 Type 304	1	36x30x16	895x760x400	WMMP3630	34x28	870x704
WMS483616N4	WM 48x36x16 Type 304	1	48x36x16	1195x900x400	WMMP4836	45x33	1155x840
WMS603616N4	WM 60x36x16 Type 304	1	60x36x16	1495x900x400	WMMP6036	57x33	1455x840

¹⁾ To order mounting panel in stainless steel add S6 to the end of the part number.

Note: To order WM wallmount enclosures in Type 316L stainless steel replace N4 ending with N6 (extended delivery times).

Window Kits

Window Height inches (mm)	Window Width inches (mm)	Frame Height inches (mm)	Frame Width inches (mm)	Part No. Type 304 Stainless Steel	Part No. Type 316L Stainless Steel
5 (127)	3 (76)	8 (191)	6 (140)	WK05034	WK05036
9 (229)	6 (140)	12 (292)	8 (203)	WK09054	WK09056
13 (330)	3 (76)	16 (394)	6 (140)	WK13034	WK13036
13 (330)	8 (203)	16 (394)	11 (267)	WK13084	WK13086
17 (432)	6 (140)	20 (495)	8 (203)	WK17054	WK17056
17 (432)	11 (279)	20 (495)	14 (343)	WK17114	WK17116
23 (584)	15 (381)	26 (648)	18 (445)	WK23154	WK23156
29 (737)	19 (483)	32 (800)	22 (546)	WK29194	WK29196
35 (889)	23 (584)	38 (953)	26 (648)	WK35234	WK35236

Handles, Inserts & Padlock Accessories

Description	PU	Part No.
Thumb-Turn Handles		
Thumb-turn handle, Type 316L stainless steel, padlockable	1	WMQTPLS6
Thumb-turn handle, Type 316L stainless steel, key lockable	1	WMQTKLS6
L-Handles		
L-Handle - Type 316L stainless steel	1	WMLHNLS6
L-Handle padlock - Type 316L stainless steel	1	WMLHPLS6
L-Handle keylock - Type 316L stainless steel	1	WMLHKLS6
Padlock Accessories		
2 piece padlock lockout - Type 316L stainless steel	1	WMPADS6
1 piece padlock lockout - Type 316L stainless steel	1	WMPADRS6

WM Stainless Steel Enclosure Accessories

Rails for Interior Installation

Enclosure Depth inches (mm)	PU	Part No. Carbon Steel
8 (210)	4	2373.210
10 (250)	4	2373.250
12 (300)	4	2373.300

Wallmount Brackets

Material	Wall clearance inches (mm)	PU	Part No.
Stand-off, Type 316L Stainless Steel	0.4 (10)	4	2433.500
Universal, Stainless Steel	Flush-mount	4	WMUMB6
Slotted, Stainless Steel	Flush-mount	4	WMSMB6

*Without assembly hardware.

Dead Front Kits

Enclosure Height inches (mm)	Enclosure Width inches (mm)	Part No. Carbon Steel
12 (305)	12 (305)	DFK1212C
16 (406)	12 (305)	DFK1612C
16 (406)	16 (406)	DFK1616C
16 (406)	20 (508)	DFK1620C
20 (508)	16 (406)	DFK2016C
20 (508)	20 (508)	DFK2020C
20 (508)	24 (610)	DFK2024C
24 (610)	16 (406)	DFK2416C
24 (610)	20 (508)	DFK2420C
24 (610)	24 (610)	DFK2424C
24 (610)	30 (762)	DFK2430C
30 (762)	20 (508)	DFK3020C
30 (762)	24 (610)	DFK3024C
30 (762)	30 (762)	DFK3030C
36 (914)	24 (610)	DFK3624C
36 (914)	30 (762)	DFK3630C
36 (914)	36 (914)	DFK3636C
42 (1067)	30 (762)	DFK4230C
42 (1067)	36 (914)	DFK4236C
48 (1219)	36 (914)	DFK4836C
60 (1524)	36 (914)	DFK6036C
72 (1829)	36 (914)	DFK7236C

Grounding Straps

Connection	Cross Section AWG	Length inches (mm)	PU	Part No.
M6 – M8	12	7 (170)	5	2564.010
M6 – M8	8	12 (300)	5	2565.110

Plastic Print Pockets

Page Format	Height inches (mm)	Width inches (mm)	Depth inches (mm)	Part No.
A3 landscape	11 (286)	17 (438)	2 (45)	2513.000
A4 portrait	10 (254)	9 (228)	1 (17)	2514.000
A5 landscape	7 (174)	9 (228)	1 (17)	2515.000

Floor Stand Kits

Height inches (mm)	Depth inches (mm)	Part No. Stainless Steel Type 304	Part No. Stainless Steel Type 316L
12 (305)	6 (152)	FSK12064	FSK12066
18 (457)	6 (152)	FSK18064	FSK18066
24 (610)	6 (152)	FSK24064	FSK24066
12 (305)	8 (203)	FSK12084	FSK12086
18 (457)	8 (203)	FSK18084	FSK18086
24 (610)	8 (203)	FSK24084	FSK24086
12 (305)	10 (254)	FSK12104	FSK12106
18 (457)	10 (254)	FSK18104	FSK18106
24 (610)	10 (254)	FSK24104	FSK24106
12 (305)	12 (305)	FSK12124	FSK12126
18 (457)	12 (305)	FSK18124	FSK18126
24 (610)	12 (305)	FSK24124	FSK24126
12 (305)	16 (406)	FSK12164	FSK12166
18 (457)	16 (406)	FSK18164	FSK18166
24 (610)	16 (406)	FSK24164	FSK24166
12 (305)	20 (508)	FSK12204	FSK12206
18 (457)	20 (508)	FSK18204	FSK18206
24 (610)	20 (508)	FSK24204	FSK24206

Rittal – The System.

Faster – better – worldwide.

- Enclosures
- Power Distribution
- Climate Control
- IT Infrastructure
- Software & Services

The Rittal Corporation is the U.S. subsidiary of Rittal GmbH & Co. KG and manufactures the world's leading industrial and IT enclosures, racks and accessories, including climate control and power management systems for industrial, data center, outdoor and hybrid applications. For more information about Rittal and its products, please visit www.rittal.us or call 1-800-477-4000.

Rittal Corporation

1 Rittal Place • Urbana Ohio 43078 • USA
Woodfield Corporate Center • 425 North Martingale Road, Suite 400 • Schaumburg Illinois 60173 • USA
Phone: 937-399-0500 • Fax: 800-477-4003 • Toll-free: 800-477-4000
Email: rittal@rittal.us • Online: www.rittal.us

Rittal Systems Ltd.

6485 Ordan Drive • Mississauga Ontario L5T 1X2 • Canada
Phone: 905-795-0777 • Fax: 905-795-9548 • Toll-free: 800-399-0748
Email: marketing@rittal.ca • Online: www.rittal.ca

ENCLOSURES

POWER DISTRIBUTION

CLIMATE CONTROL

IT INFRASTRUCTURE

SOFTWARE & SERVICES

FRIEDHELM LOH GROUP

