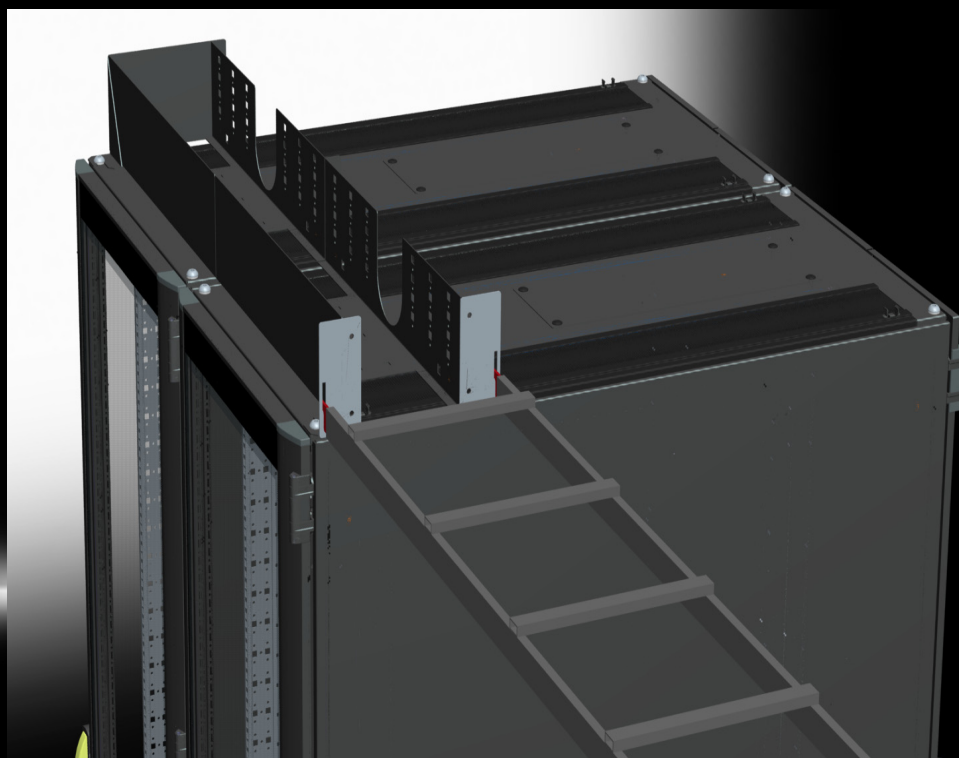


# Rittal – The System.

Faster – better – worldwide.



## Overhead Cable Management

9970260	9970270
9970271	9970292
9970293	9970294
9970295	9970296
9970297	9970298

Assembly and Operating Instructions

ENCLOSURES

POWER DISTRIBUTION

CLIMATE CONTROL

IT INFRASTRUCTURE

SOFTWARE & SERVICES

FRIEDHELM LOH GROUP

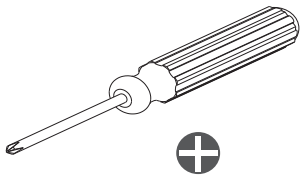


# Parts list

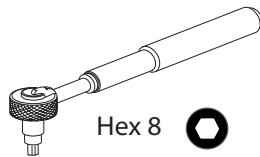
Note: General hardware list, components vary based on kit.

Material number:	Object Description	Quantity
87802 THRU 87807	Cable Manager 600,700,800	1
41181	Edge Protection PVC	ft
329763	Push Rivet	2
77127	Tooless Fastener	2
228099	PE Conductor Type 4	1
56824	Cable Grounding	1
87808	Corner Bracket Left & Right	1 ea
205378	M6x1x16 Screw	4
200294	Washer 6.4 EXT SERR	8
37573	Nut M6 ACORN	4
9970271	12IN W X 10FT Ladder Rack	1

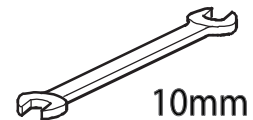
## Tools Required



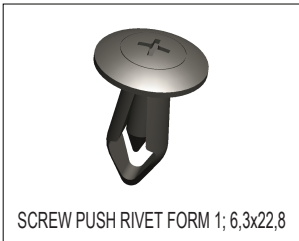
PHILLIPS SCREWDRIVER



8mm Hex Key DRIVER



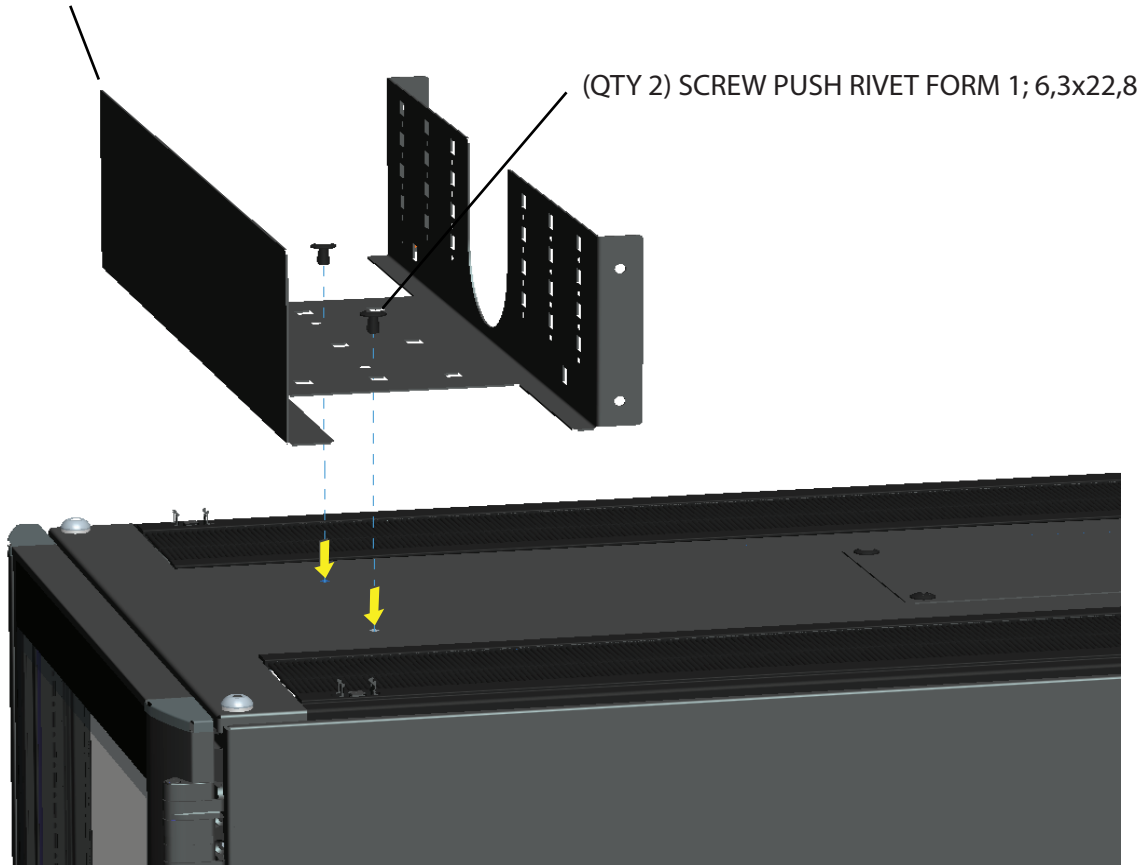
WRENCH 10 MM



## CABLE MANAGER TO ROOF

1. PLACE CABLE MANAGER DIRECTLY ON ROOF OF CABINET.
2. ALIGN THE ROUND HOLES IN THE CABLE MANAGER WITH THE HOLES IN THE ROOF.
3. ALIGN PUSH RIVET WITH ROUND HOLES IN CABLE MANAGER AND PRESS DOWN FIRMLY LOCKING CABLE MANAGER TO ROOF.
4. SEE GROUND WIRE INSTRUCTIONS 'A' (NOT SHOWN)

CABLE MANAGER

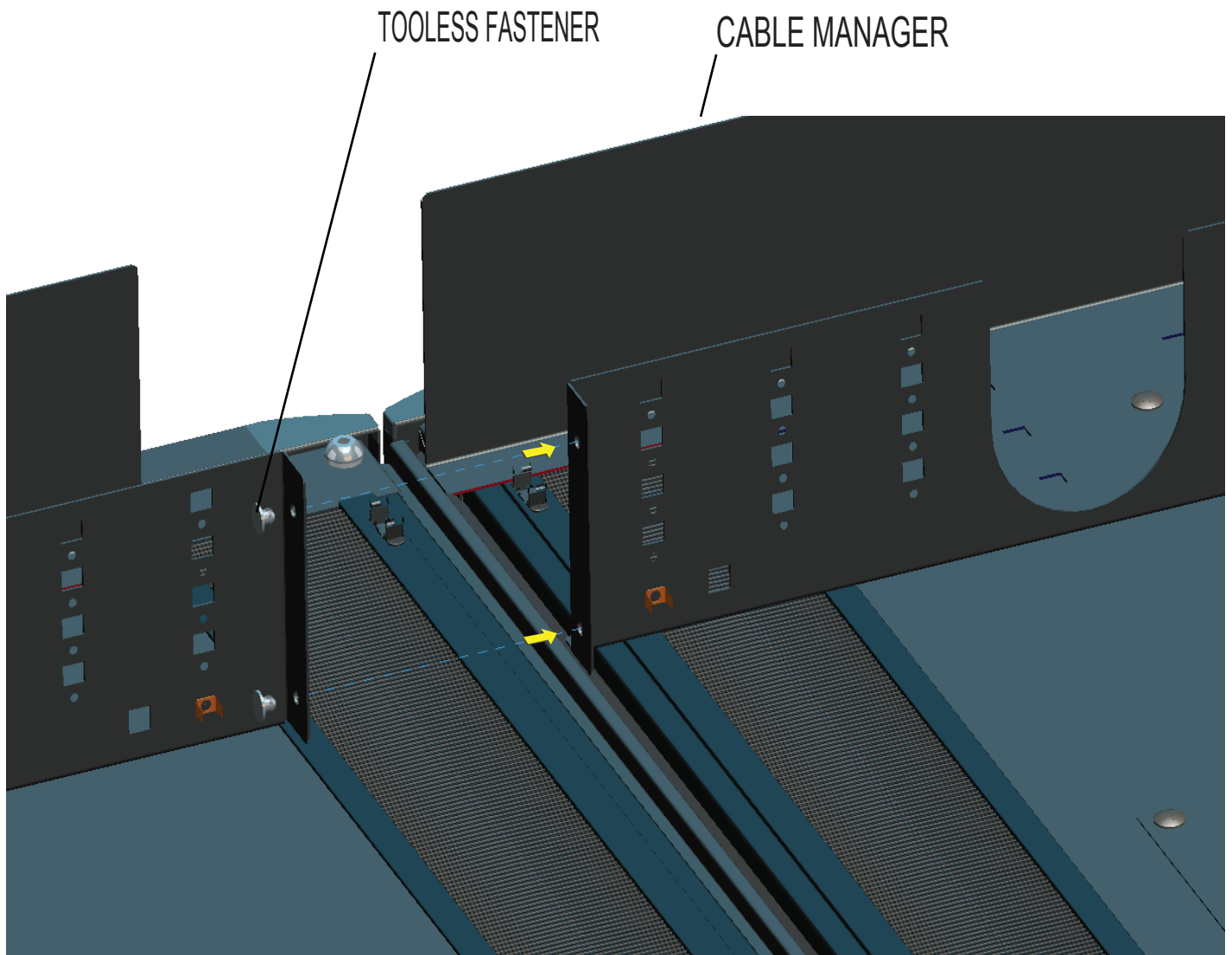


## CABLE MANAGER INSTALLATION INSTRUCTIONS 600W, 700W, 800W CABLE MANAGERS



## CABLE MANAGER TO CABLE MANAGER

1. ALIGN ROUND OPENINGS IN CABLE MANAGER FLANGES.
2. INSERT SUPPLIED TOOL-LESS FASTENER IN OPENING.
3. PRESS FIRMLY AGAINST HEAD OF TOOL-LESS FASTENER TO SECURE CABLE MANAGERS TOGETHER.
4. SEE GROUND WIRE INSTRUCTIONS 'B' (NOT SHOWN)



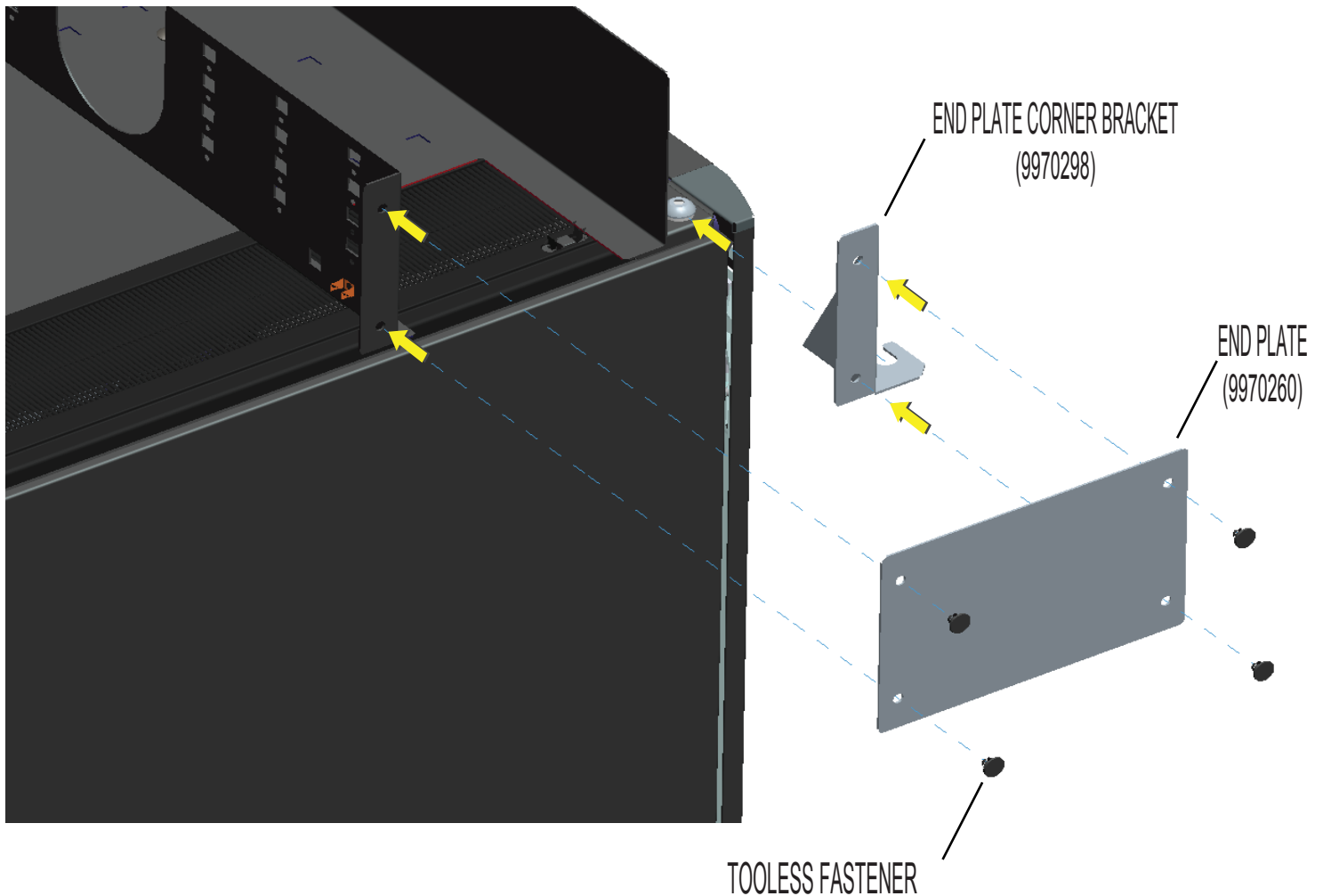
## CABLE MANAGER INSTALLATION INSTRUCTIONS

600W, 700W, 800W CABLE MANAGERS



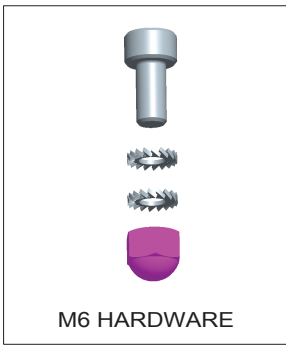
## END PLATE TO CABLE MANAGER

1. ALIGN ROUND OPENINGS ON END PLATE WITH THE OPENINGS IN THE CABLE MANAGER FLANGES.
2. ATTACH END PLATE CORNER BRACKET TO M12 ROOF SCREW.
3. INSERT SUPPLIED TOOL-LESS FASTENER IN OPENING.
4. PRESS FIRMLY AGAINST HEAD OF TOOL-LESS FASTENER TO SECURE END PLATE TO CABLE MANAGER.



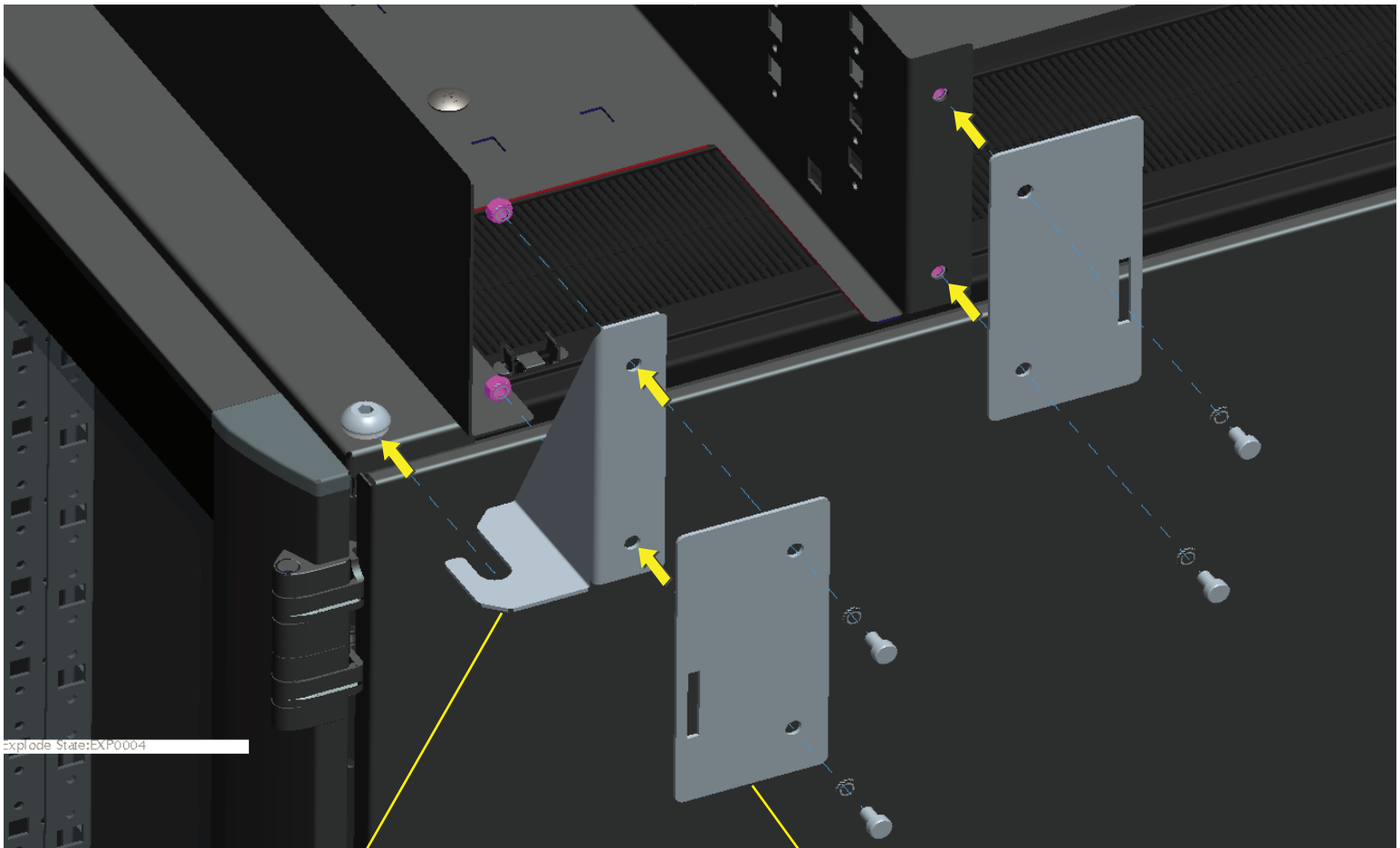
## CABLE MANAGER INSTALLATION INSTRUCTIONS

### 600W, 700W, 800W CABLE MANAGERS



## CABLE MANAGER TO LADDER RACK SIDE CONNECTOR PLATES

1. ALIGN ROUND OPENINGS IN CABLE MANAGER FLANGES AND CONNECTOR PLATES.
2. ATTACH END PLATE CORNER BRACKET TO M12 ROOF SCREW.
3. FASTEN CONNECTOR PLATE TO CABLE MANAGER USING SUPPLIED M6 SCREWS, CONTACT WASHERS AND ACORN NUTS.



END PLATE CORNER BRACKET  
(9970298)

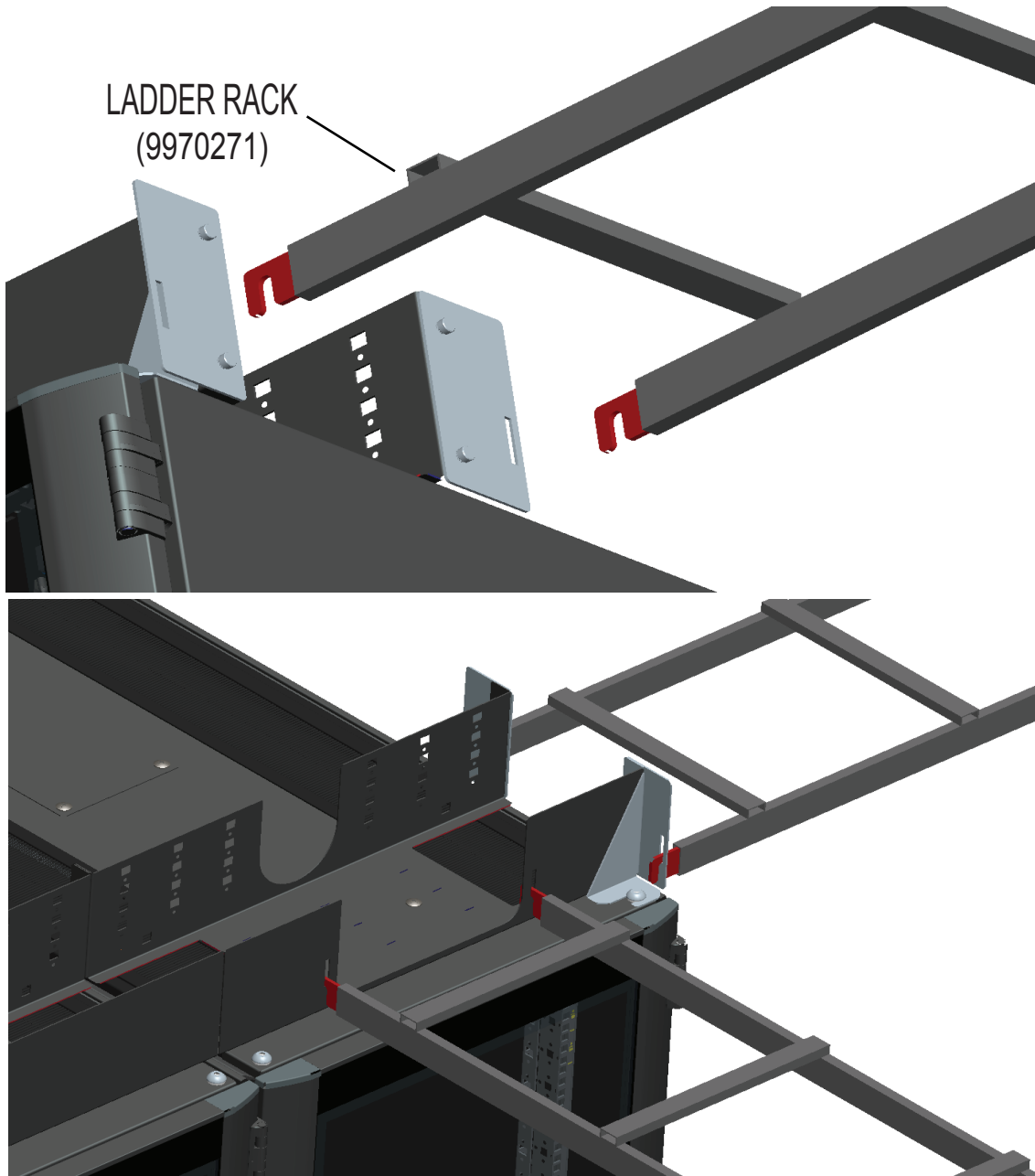
LADDER RACK CONNECTOR PLATES  
(9970270)

## CABLE MANAGER INSTALLATION INSTRUCTIONS

### 600W, 700W, 800W CABLE MANAGERS

## LADDER RACK TO CABLE MANAGER AND LADDER RACK TO SIDE CONNECTOR PLATES

1. INSERT THE COUPLER BRACKETS INTO THE ENDS OF THE LADDER RACK.
2. SLIDE THE COUPLER BRACKETS THROUGH THE RECTANGULAR OPENINGS IN THE CABLE MANAGER OR CONNECTOR PLATES.
3. LOWER LADDER RACK TO ENGAGE THE NOTCH OF THE COUPLER BRACKET WITH THE CABLE MANAGER OR CONNECTOR PLATES.



## CABLE MANAGER INSTALLATION INSTRUCTIONS 600W, 700W, 800W CABLE MANAGERS

# Rittal – The System.

**Faster – better – worldwide.**

- Enclosures
- Power Distribution
- Climate Control
- IT Infrastructure
- Software & Services

The Rittal Corporation is the U.S. subsidiary of Rittal GmbH & Co. KG and manufactures the world's leading industrial and IT enclosures, racks and accessories, including climate control and power management systems for industrial, data center, outdoor and hybrid applications. For more information about Rittal and its products, please visit [www.rittal-corp.com](http://www.rittal-corp.com) or call 1-800-477-4000.

Rittal Corporation  
1 Rittal Place • Urbana Ohio 43078 • USA  
Phone: 937-399-0500 • Fax: 800-477-4003 • Toll-free: 800-477-4000  
Email: [rittal@rittal-corp.com](mailto:rittal@rittal-corp.com) • Online: [www.rittal-corp.com](http://www.rittal-corp.com)

Rittal Systems Ltd.  
6485 Ordan Drive • Mississauga Ontario L5T 1X2 • Canada  
Phone: 905-795-0777 • Fax: 905-795-9548 • Toll-free: 800-399-0748  
Email: [marketing@rittal.ca](mailto:marketing@rittal.ca) • Online: [www.rittal.ca](http://www.rittal.ca)

ENCLOSURES

POWER DISTRIBUTION

CLIMATE CONTROL

IT INFRASTRUCTURE

SOFTWARE & SERVICES

