


Rittal – The System.

Faster – better – worldwide.



**Kabeltrasse
Cable route
Chemin de câbles
Kabelbaan
Kabeltråg
Guidacavi verticale
Placa guía de cables
ケーブルルート**

DK 5502.120

**Montage- und Bedienungsanleitung
Assembly and operating instructions
Notice d'emploi et de montage
Montage- en bedieningshandleiding
Montage- och bruksanvisning
Istruzioni di montaggio
Instrucciones de montaje
取扱説明書**

ENCLOSURES

POWER DISTRIBUTION

CLIMATE CONTROL

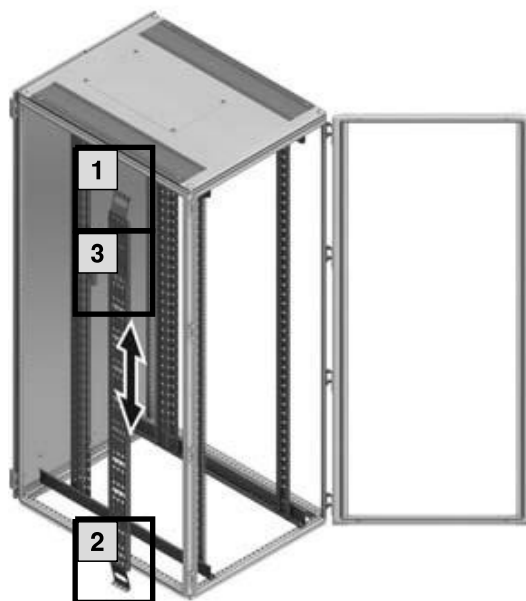
IT INFRASTRUCTURE

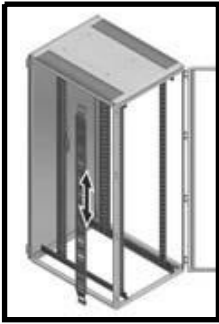
SOFTWARE & SERVICES



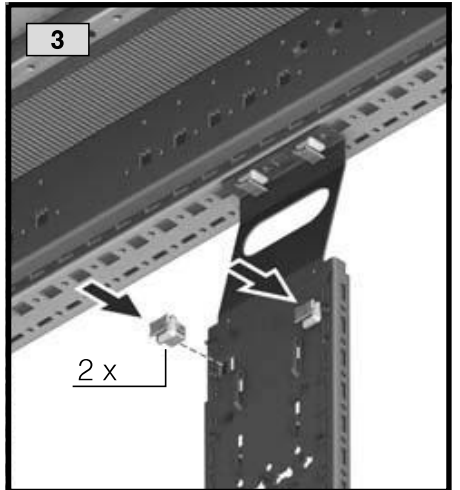
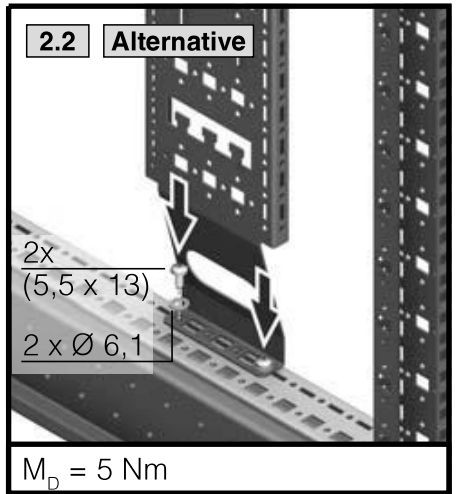
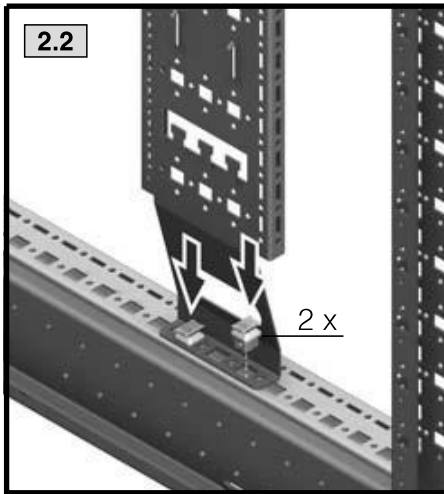
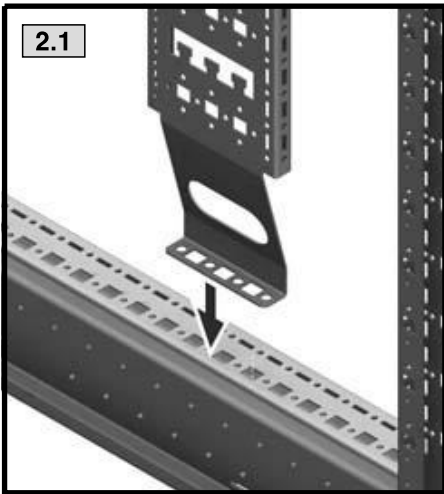
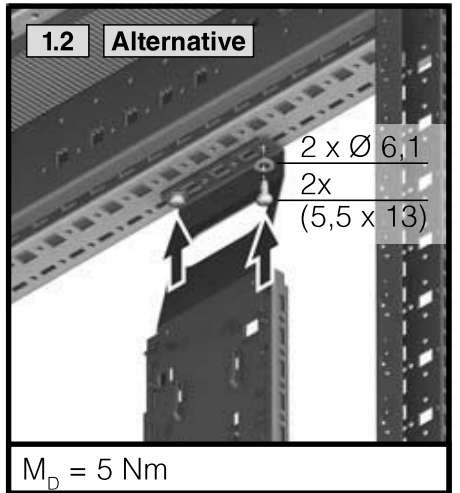
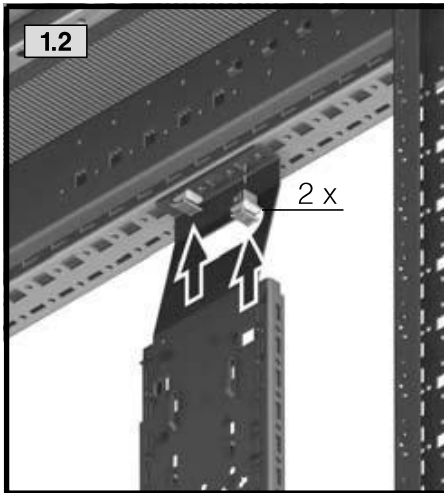
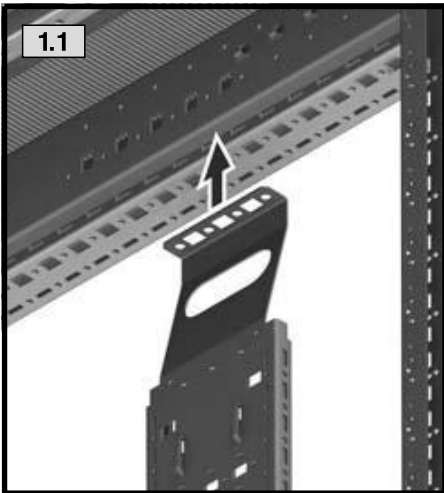


		H mm	
Best.-Nr. DK Model No. DK Référence DK		2000 – 2200	5502.120
			1 x
		□ 10,5 x 12,5	6 x
		5,5 x 13	4 x
		Ø 6,1	4 x





TX25



Rittal – The System.

Faster – better – worldwide.

- Enclosures
- Power distribution
- Climate control
- IT infrastructure
- Software & services

04.2012/A4637600IT73

RITTAL GmbH & Co. KG
Postfach 1662 · D-35726 Herborn
Phone + 49(0)2772 505-0 · Fax + 49(0)2772 505-2319
E-Mail: info@rittal.de · www.rittal.de

ENCLOSURES

POWER DISTRIBUTION

CLIMATE CONTROL

IT INFRASTRUCTURE

SOFTWARE & SERVICES

