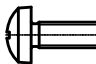


SZ
4127.210



Raum für Verpackungsdatum
Area for date of packing
(MMJJTT / MMYDD)

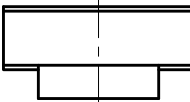
2x  5,5x13

2x  M4x30

2x  A4,3

2x  A4,3

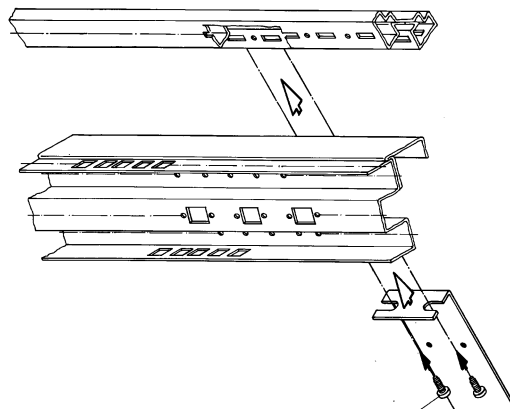
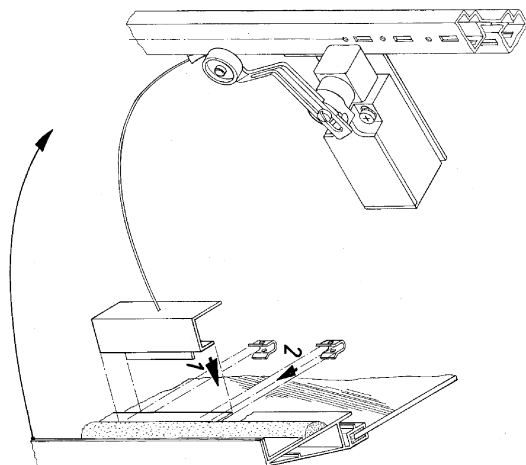
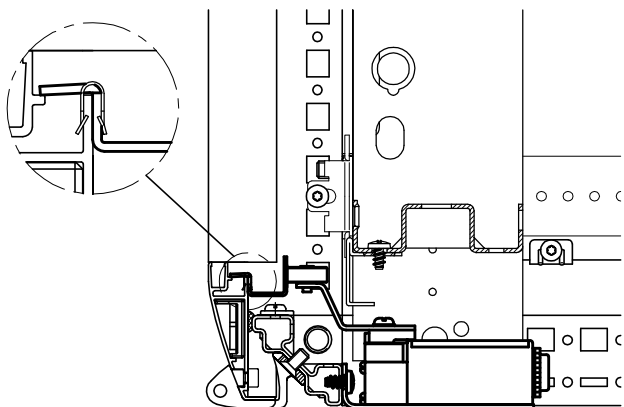
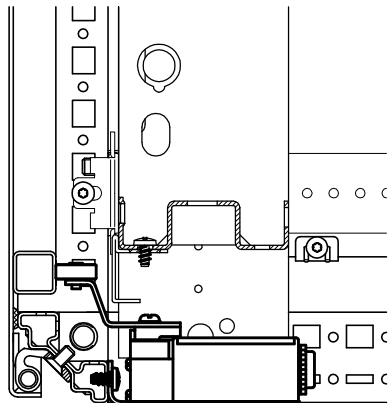
2x 

1x 

Zchng.-Nr. / No. of dwg. : A3969201SZ72

Versandbeutel-Nr. / No. of accessory bag : 380943

Lieferanten-Nr. / No. of supplier :



5,5x13
 $M_D = 4 + 1Nm$

