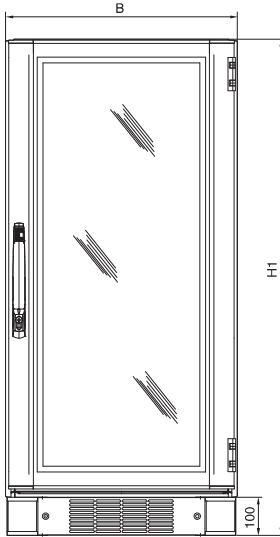


Network enclosures TS 8

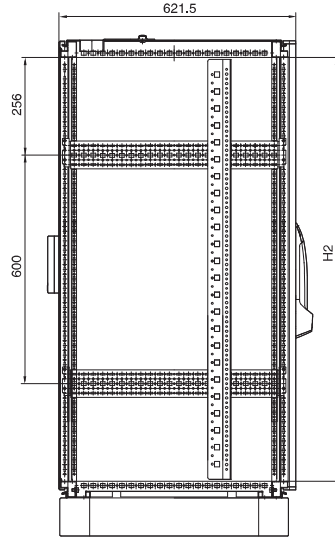
Pre-configured, doors unvented Catalogue 33, page 102

DK 7830.100

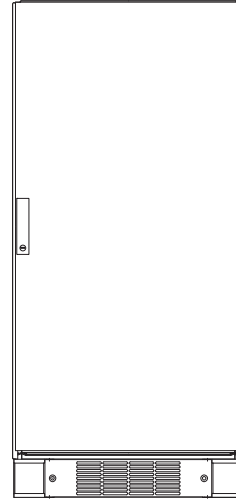
Front view



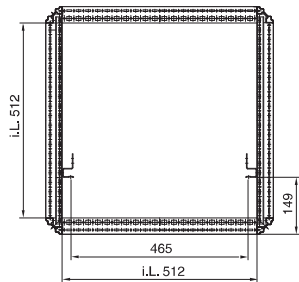
Side view



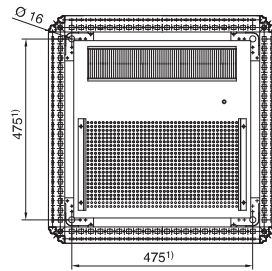
Rear view



Top view



Top view without
482.6 mm (19") mounting angles



¹⁾ Base/plinth attachment

i.L. = Clearance width

Model No. DK	U	Width dimensions	Height dimensions	
		mm	mm	mm
		B	H1	H2
7830.100	24	606	1302	1112

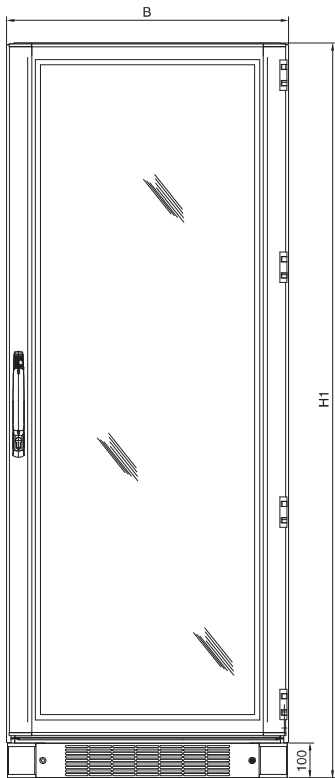
Enclosures

Network distribution enclosures

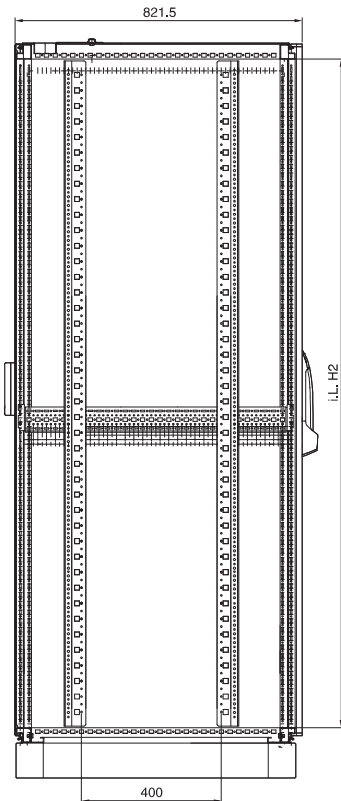
Network enclosures TS 8

Pre-configured, doors unvented Catalogue 33, page 102, 103

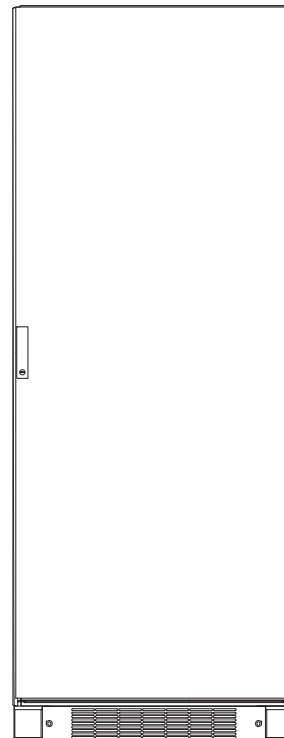
Front view



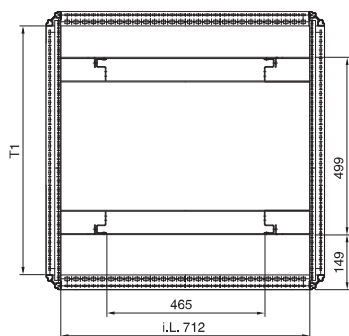
Side view



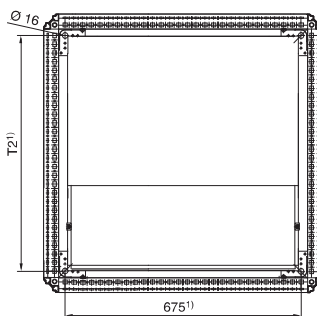
Rear view



Top view



Top view without 482.6 mm (19") mounting angles



i.L. = Clearance width

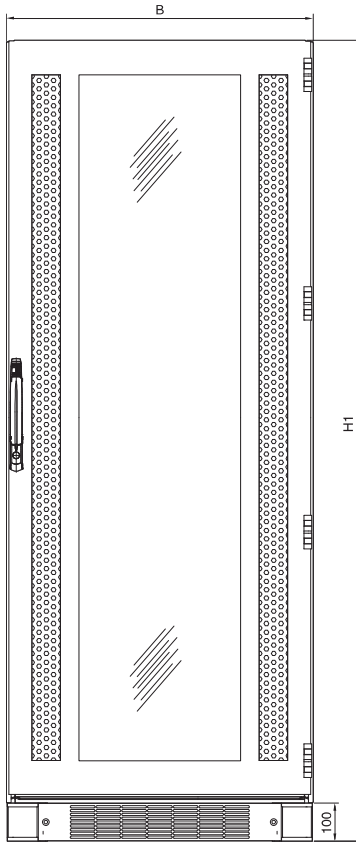
¹⁾ Base/plinth attachment

Model No. DK	U	Width dimensions mm		Height dimensions mm		Depth dimensions mm	
		B	H1	H2	T1	T2	
7830.110	24	806	1302	1112	712	675	
7830.850	38	797	1902	1712	712	675	
7830.200	42	806	2102	1912	712	675	
7830.250	42	797	2102	1912	712	675	
7830.202	42	806	2102	1912	712	675	
7830.230	42	806	2102	1912	912	875	
7830.240	42	797	2102	1912	912	875	
7830.270	47	797	2302	2112	712	675	

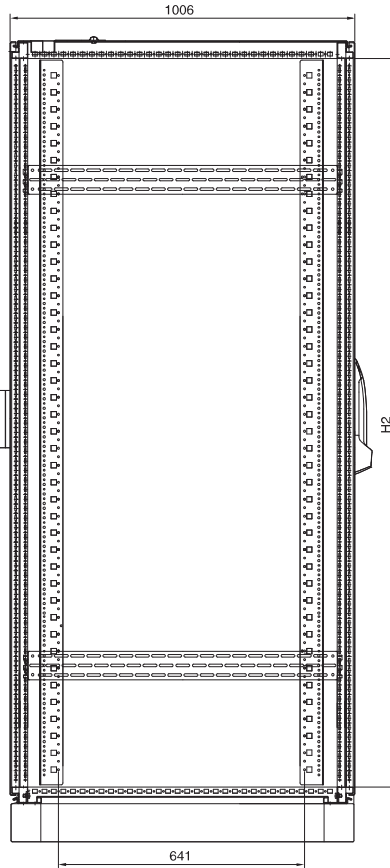
Network enclosures TS 8

Pre-configured, doors vented Catalogue 33, page 103

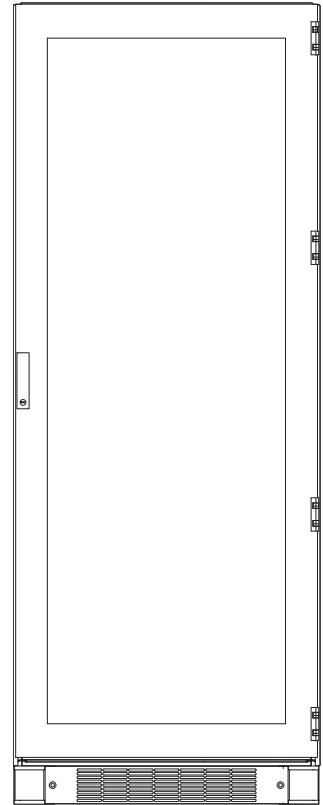
Front view



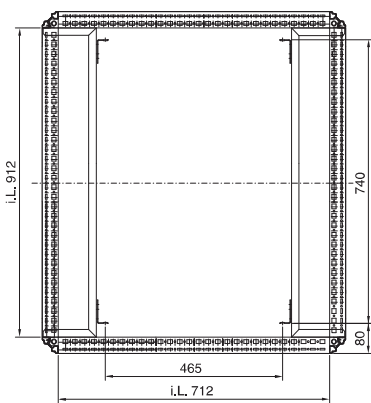
Side view



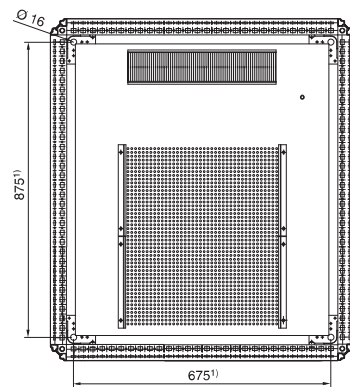
Rear view



Top view



Top view without 482.6 mm (19") mounting angles



i.L. = Clearance width

1) Base/plinth attachment

Model No. DK	U	Width dimensions	Height dimensions	
		mm	mm	mm
		B	H1	H2
7830.130	24	806	1302	1112
7830.330	42	806	2102	1912
7830.335	42	797	2102	1912
7830.380	47	797	2302	2112

Enclosures

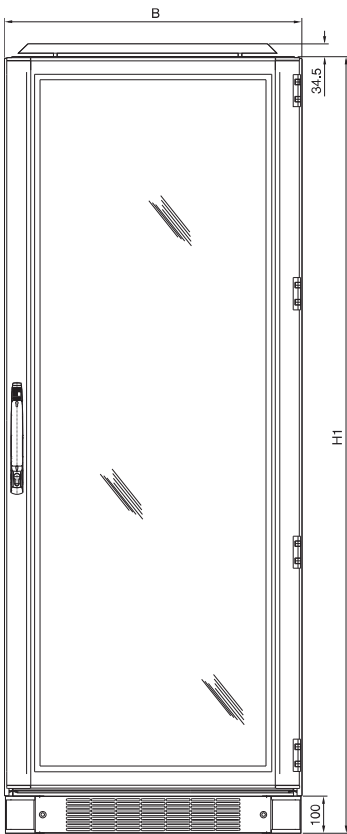
Network distribution enclosures

Network enclosures TS 8

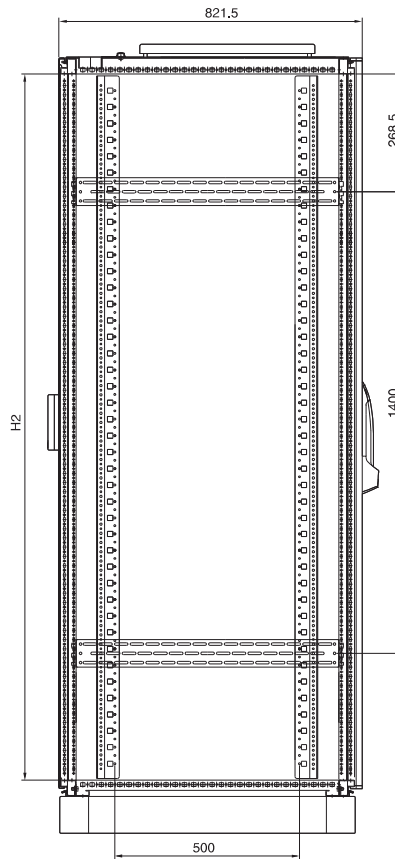
Pre-configured, doors/rear wall unvented Catalogue 33, page 104

DK 7830.550

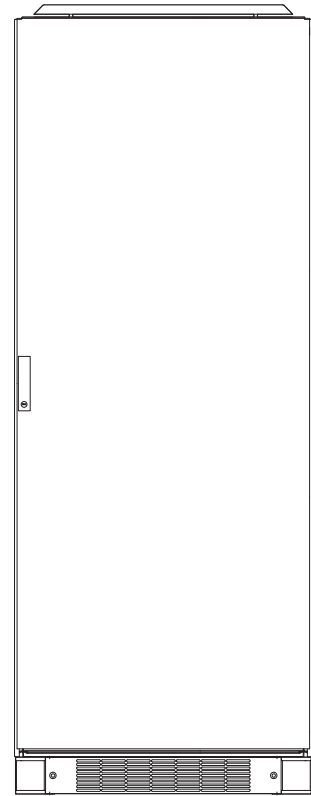
Front view



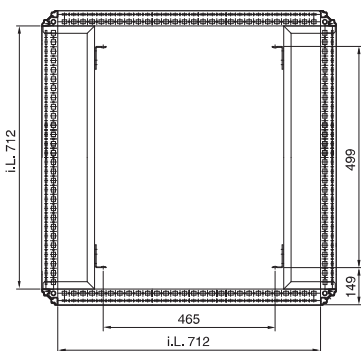
Side view



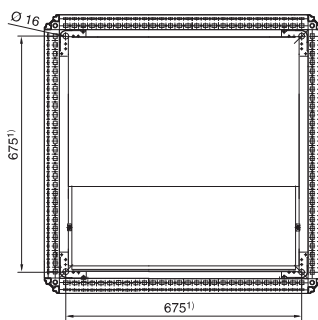
Rear view



Top view

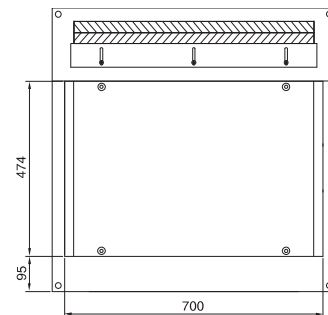


Top view without 482.6 mm (19") mounting angles



1) Base/plinth attachment

Top view with vent panel



Model No. DK	U	Width dimensions	Height dimensions	
		mm	mm	mm
		B	H1	H2
7830.550	42	797	2102	1912

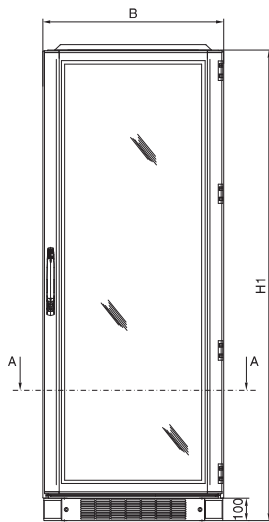
i.L. = Clearance width

Network enclosures TS 8

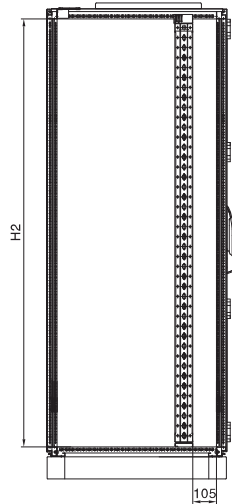
Pre-configured, doors/rear wall unvented Catalogue 33, page 104

DK 7830.670

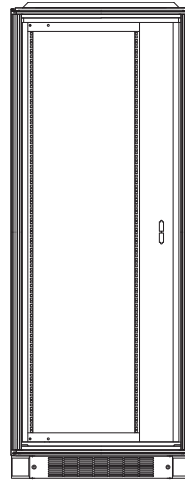
Front view



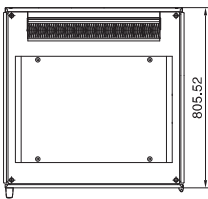
Side view without side panel



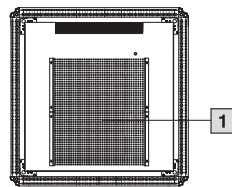
Front view without door



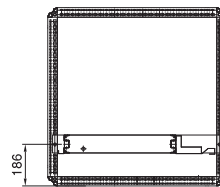
Top view



Section A – A



Top view without roof



- 1** Gland plate will be pre-configured
 1 brush strip
 4 sections for filter mats
 8 screws

Model No. DK	U	Width dimensions mm		Height dimensions mm	
		B	H1	H2	
7830.670	40	806	2102	1912	

Enclosures

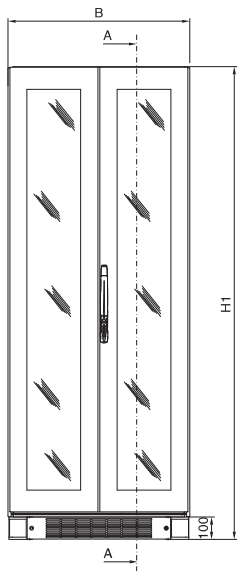
Network distribution enclosures

Network enclosures TS 8

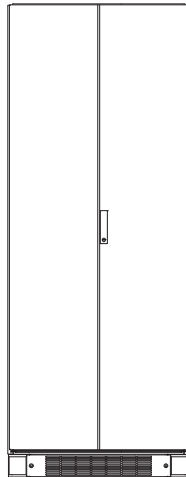
Pre-configured, doors unvented, divided Catalogue 33, page 104

DK 7830.260

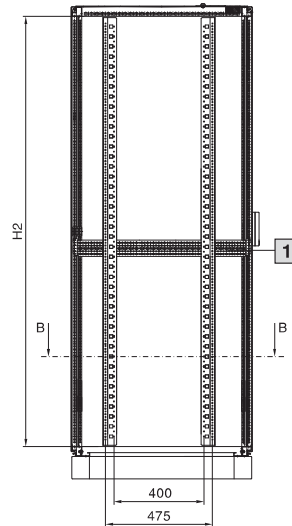
Front view



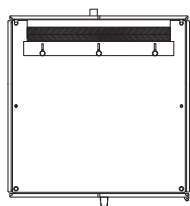
Rear view



Section A – A

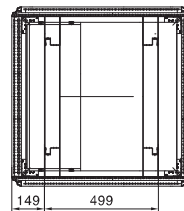


Top view



1 Serves as shipping braces

Section B – B



Model No. DK	U	Width dimensions mm		Height dimensions mm	
		B	H1	H2	
7830.270	42	797	2102	1912	