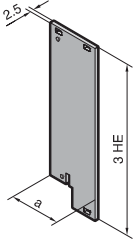


Front panels

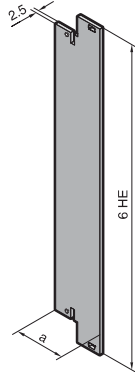
For type I, II, IV, IVs or VII handles Catalogue 33, page 241, 242

Flat front panels

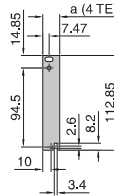
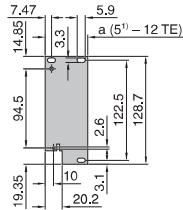
3 U



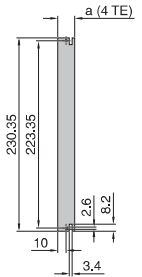
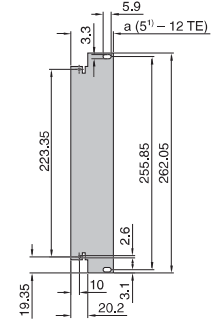
6 U



3 U



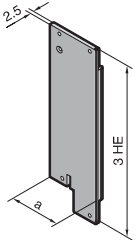
6 U



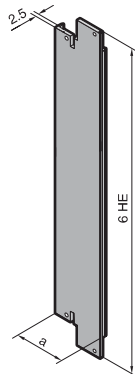
1) 5.9 x 3.3 mm slot not contained in versions 5 – 7 HP.

U-channel front panels

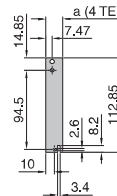
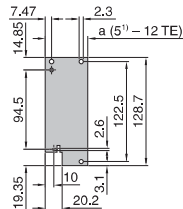
3 U



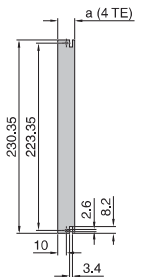
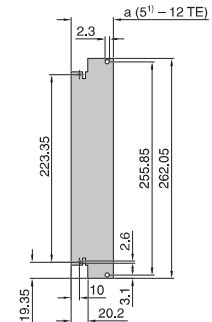
6 U



3 U



6 U



1) 2.3 mm drilled hole not contained in versions 5 – 7 HP.

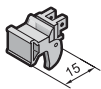
Table for flat front panels and U-channel front panels:

HP (TE)	4	5	6	7	8	10	12
a (mm)	20.0	25.1	30.1	35.2	40.3	50.5	60.6

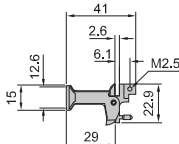
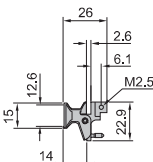
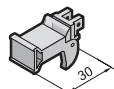
Extractor handle

Front panel installation for top and bottom Catalogue 33, page 241

Type I



Type II

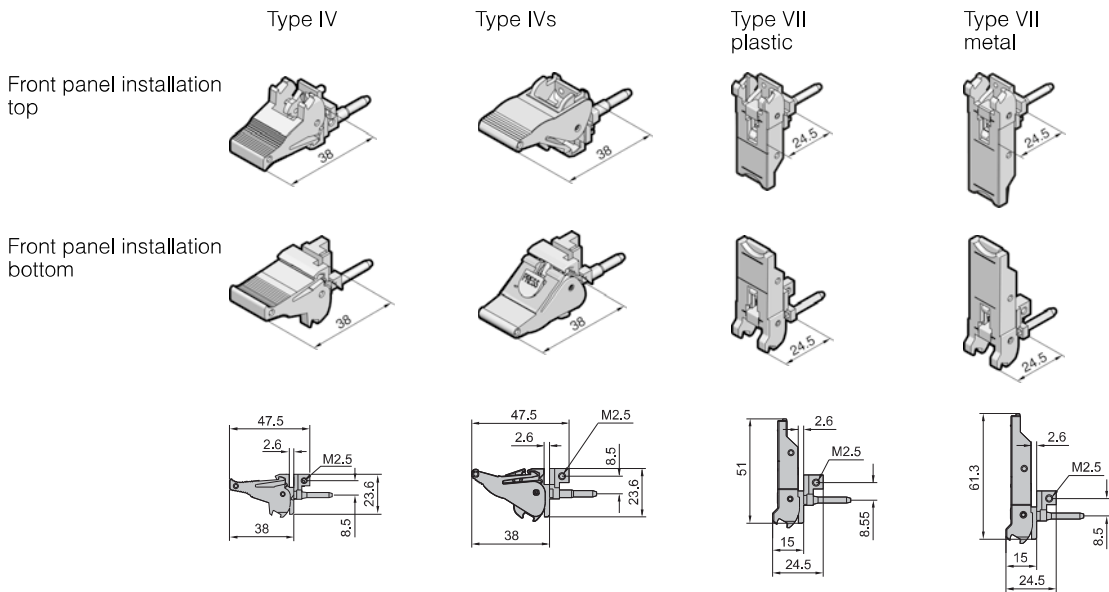


Enclosures

Accessories for subracks

Injector/extractor handle

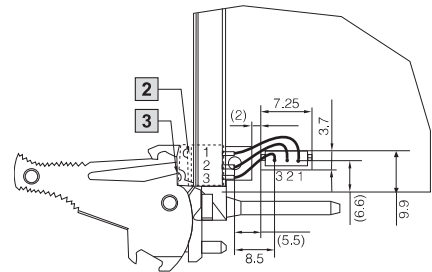
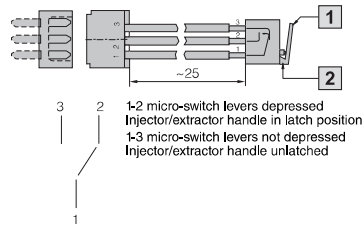
Catalogue 33, page 241



Micro-switch

with cable and connector Catalogue 33, page 242

- 1** Lever not depressed
- 2** Lever hinge
- 3** Lever contact point

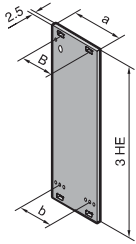


Front panels

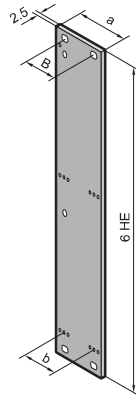
For type V and VI handle Catalogue 33, page 243, 244

Flat front panels

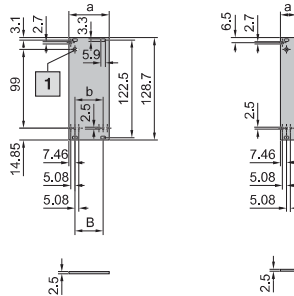
3 U



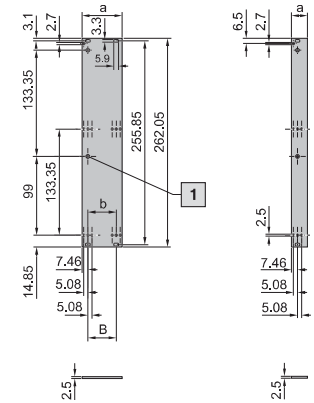
6 U



3 U

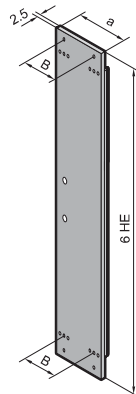


6 U



U-channel front panels

6 U



1 Countersinking for screw M2.5 (2x)

HE = U

6 U

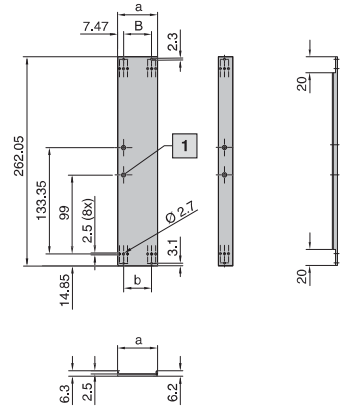


Table for flat front panels:

HP (TE)	4	5	6	7	8	10	12	14
a (mm)	20.0	25.1	30.1	35.2	40.3	50.5	60.6	70.8
B (mm)	–	–	–	–	–	35.6	45.7	55.9
b (mm)	–	–	15.2	20.3	25.4	35.6	45.7	55.9

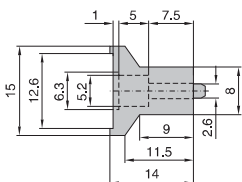
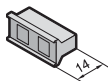
Table for U-channel front panels:

HP (TE)	4	8	10
a (mm)	20.0	40.3	50.5
B (mm)	–	25.4	35.6
b (mm)	–	25.4	35.6

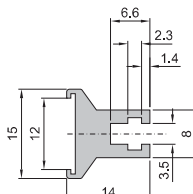
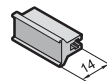
Handles

Catalogue 33, page 243

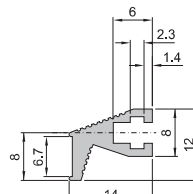
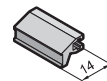
Type V plastic



Type V aluminium



Type VI aluminium

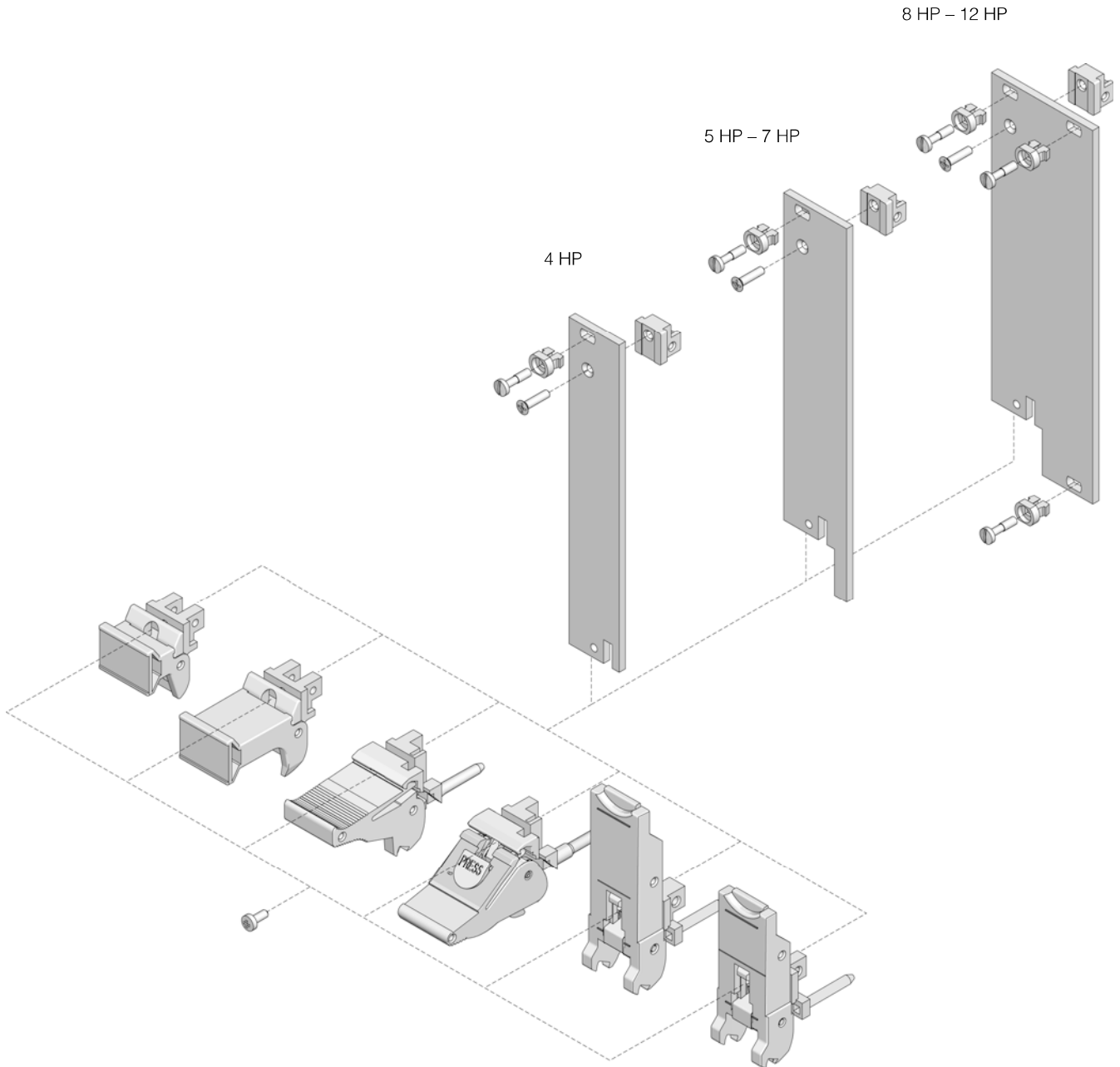


Enclosures

Accessories for subracks

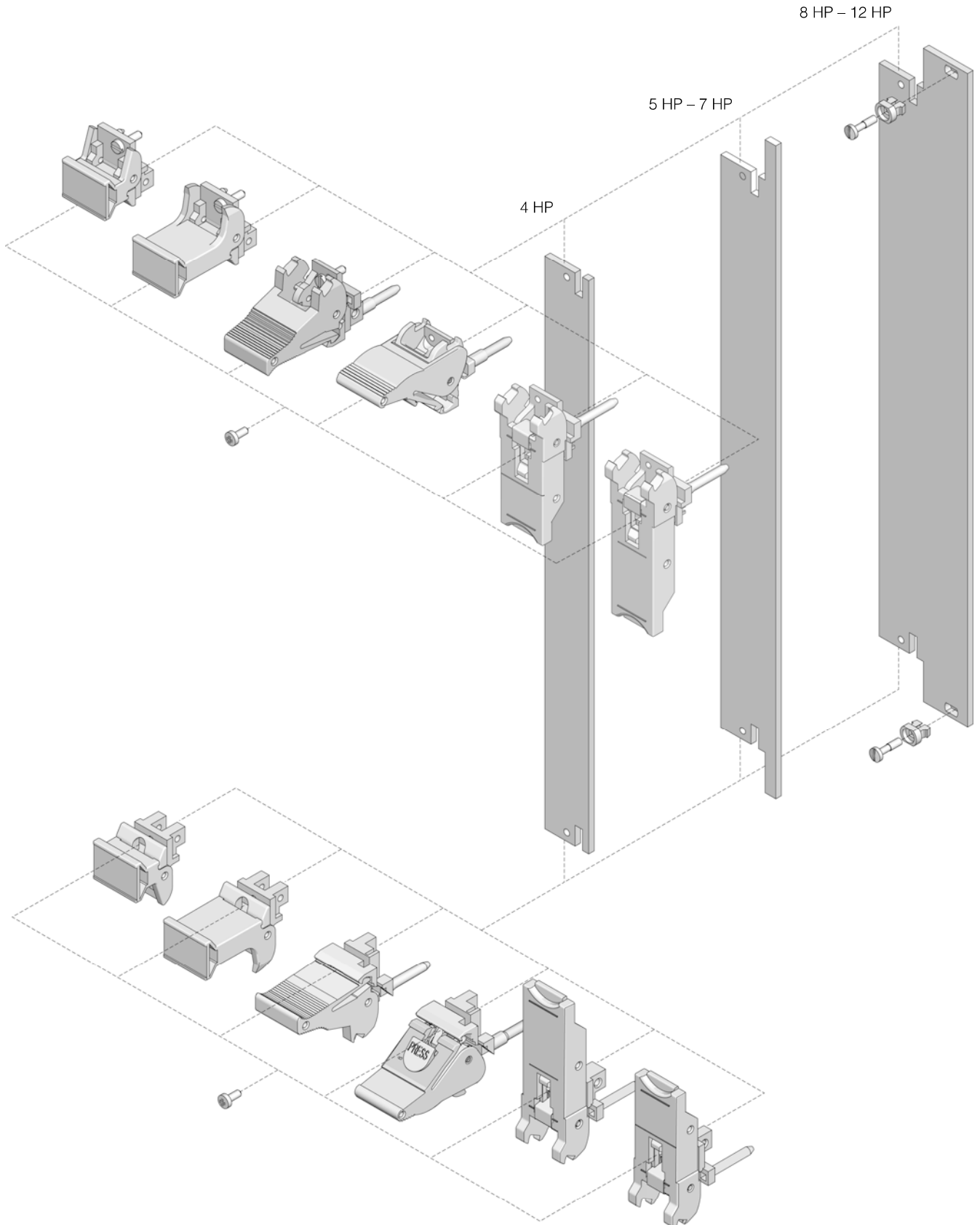
Front panel assembly

Flat front panels 3 U, non-EMC, for type I, II, IV, IVs, VII handles Catalogue 33, page 241, 242



Front panel assembly

Flat front panels 6 U, non-EMC, for type I, II, IV, IVs, VII handles Catalogue 33, page 241, 242

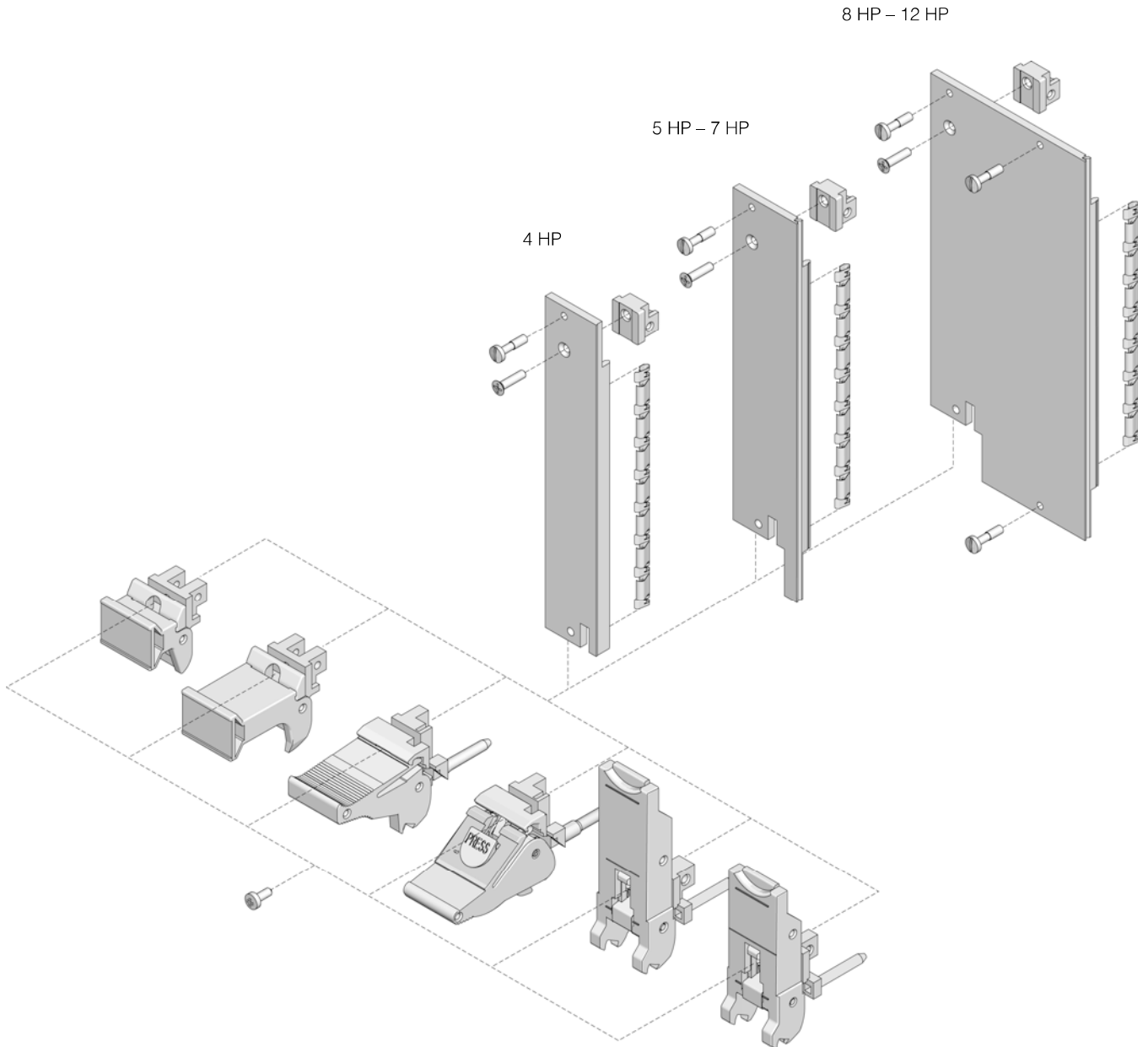


Enclosures

Accessories for subracks

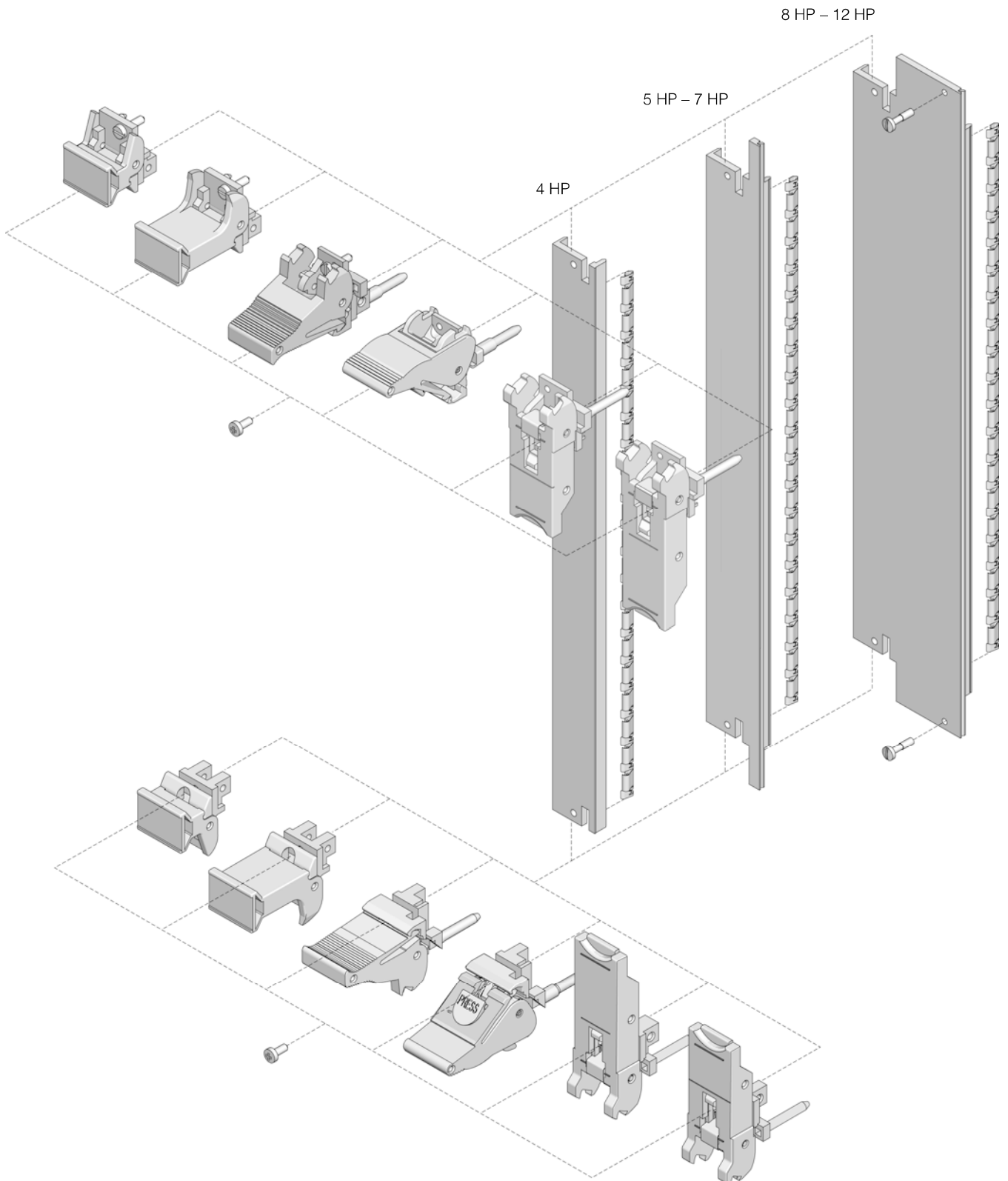
Front panel assembly

U-channel front panels 3 U, EMC, for type I, II, IV, IVs, VII handles Catalogue 33, page 241, 242



Front panel assembly

U-channel front panels 6 U, EMC, for type I, II, IV, IVs, VII handles Catalogue 33, page 241, 242



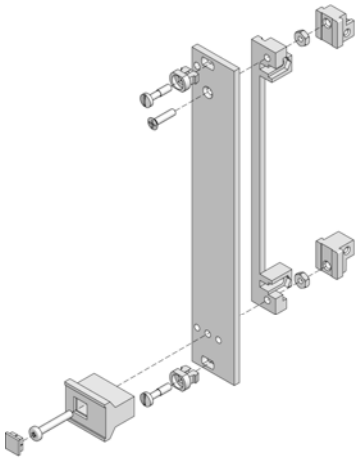
Enclosures

Accessories for subracks

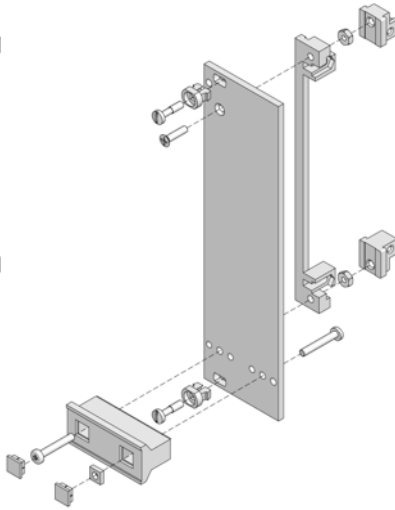
Front panel assembly

Flat front panels 3 U/6 U, non-EMC, for type V handles, plastic Catalogue 33, page 243, 244

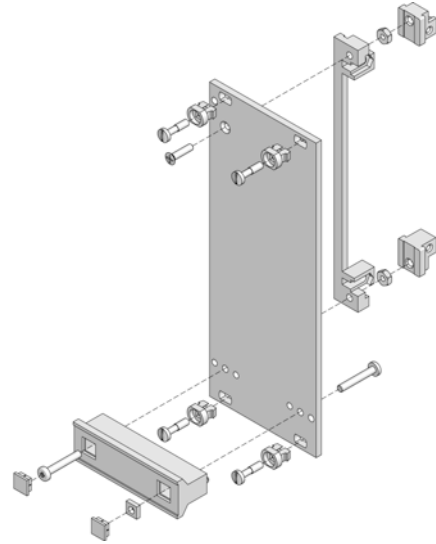
3 U, 4 HP



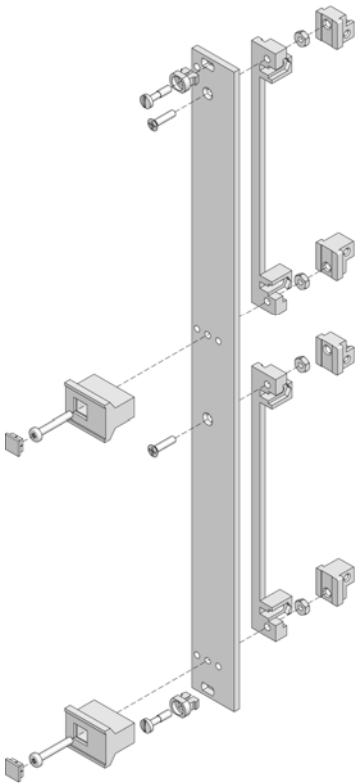
3 U, 6 HP – 8 HP



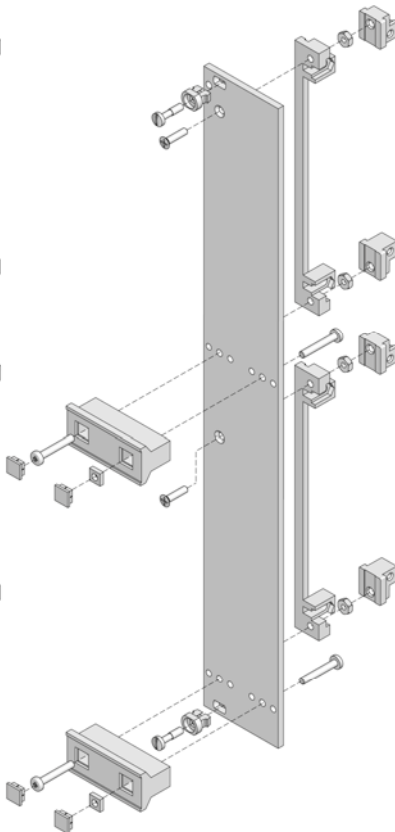
3 U, 10 HP – 14 HP



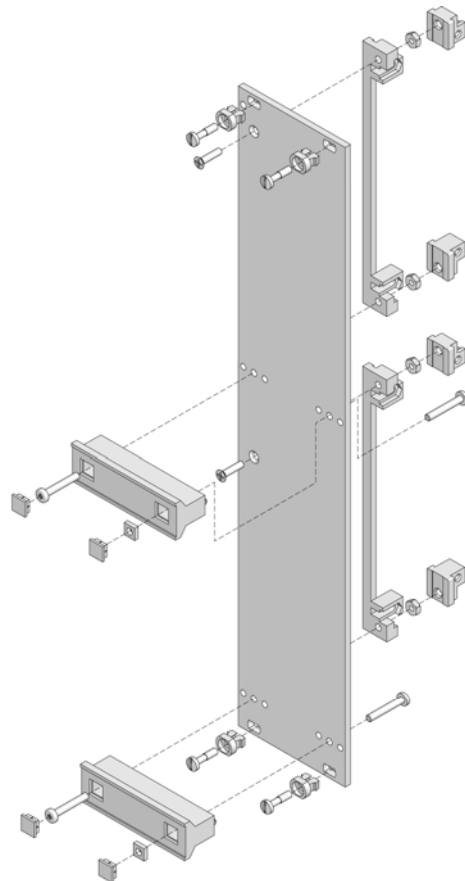
6 U, 4 HP



6 U, 6 HP – 8 HP

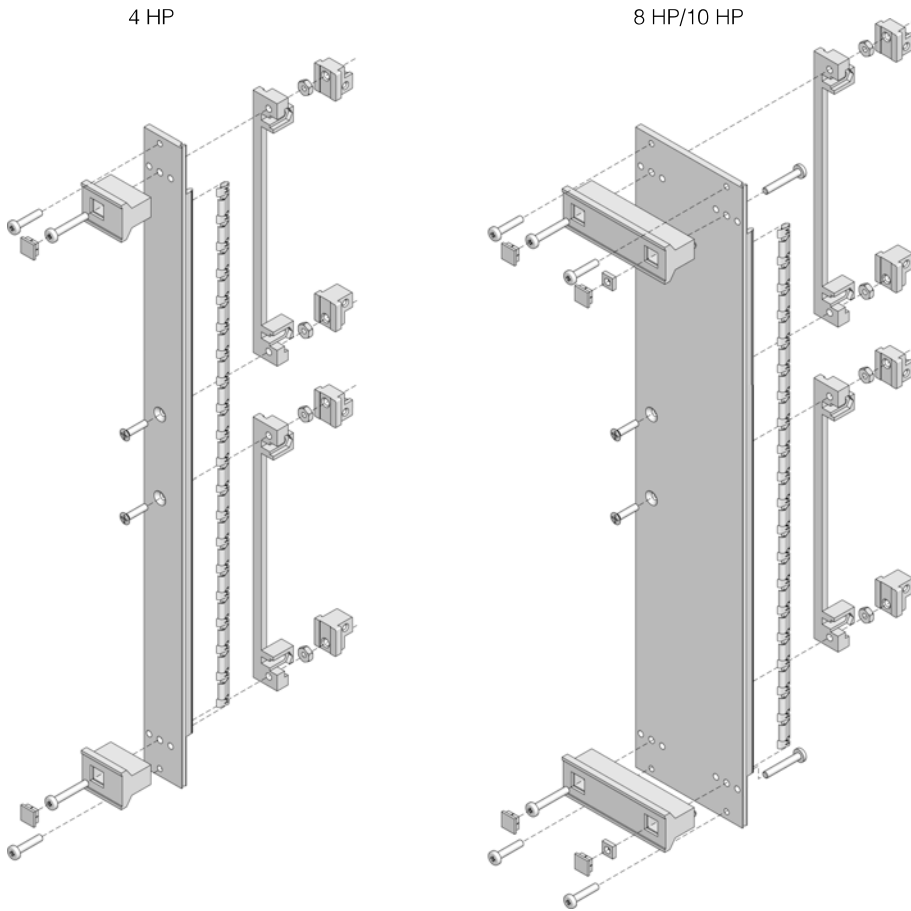


6 U, 10 HP – 14 HP



Front panel assembly

U-channel front panels 6 U, EMC, for type V handles, plastic Catalogue 33, page 243, 244



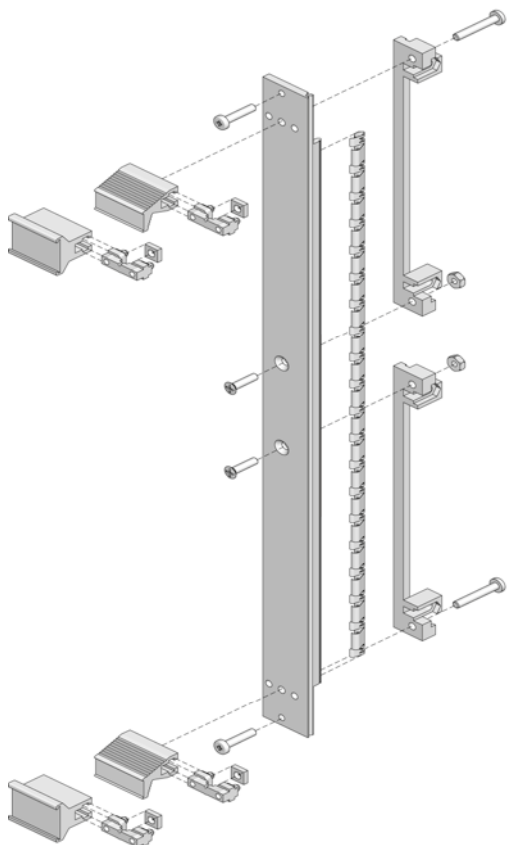
Enclosures

Accessories for subracks

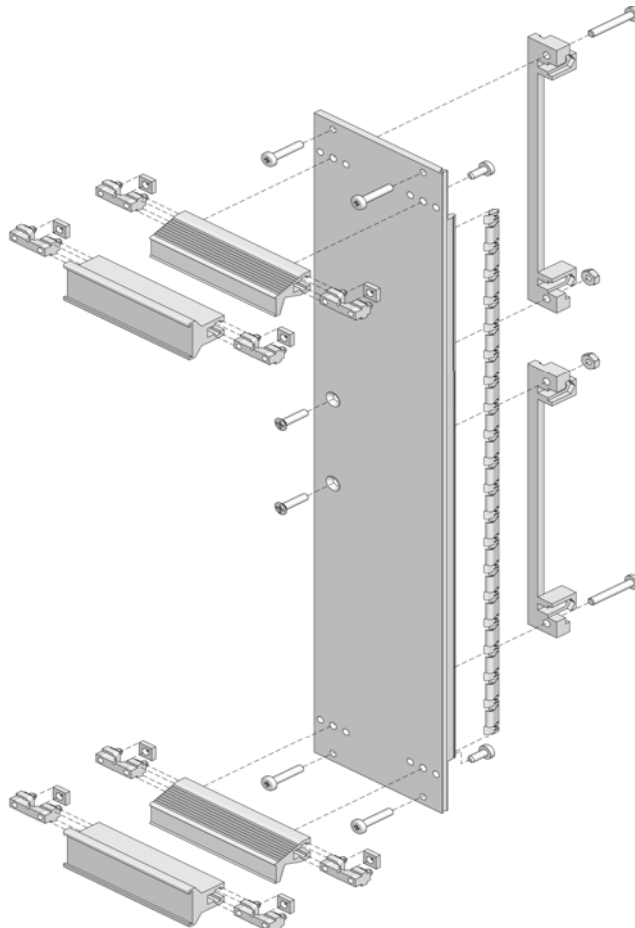
Front panel assembly

U-channel front panels 6 U, EMC, for type V, VI handles, aluminium Catalogue 33, page 243, 244

4 HP

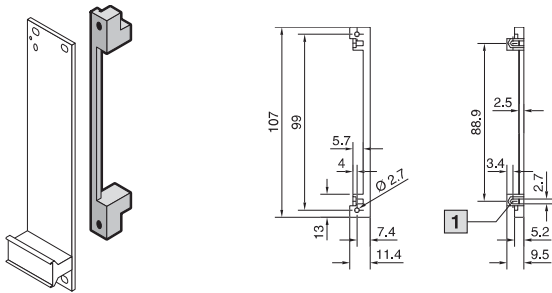


8 HP/10 HP



PCB holder

For front panels Catalogue 33, page 245



1 For nut M2.5

Front panels

As filler panels Catalogue 33, page 239

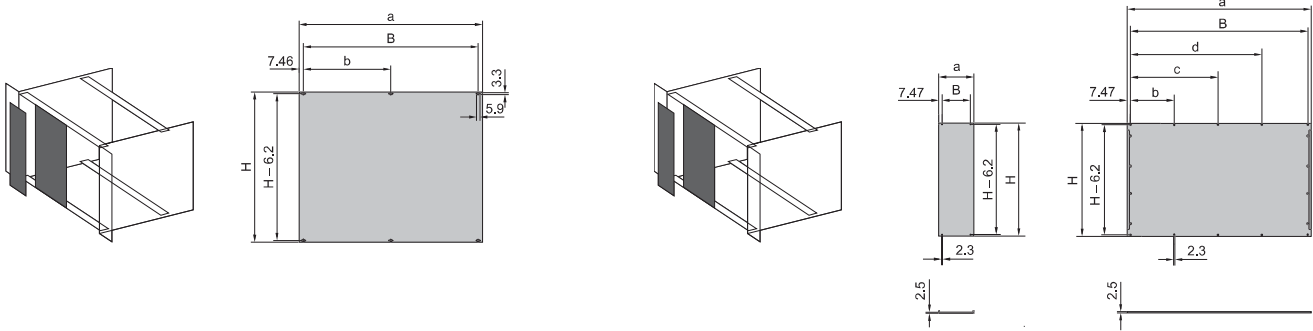
Flat

2 HP – 85 HP

U-channel

2 HP – 14 HP

20 HP – 84 HP



Flat front panel as filler panel

1 U H = 39.8 mm	3 U H = 128.7 mm	4 U H = 173.15 mm	6 U H = 262.05 mm	7 U H = 306.5 mm			
HP	HP	HP	HP	HP	a	B	b
-	2	-	2	-	9.8	-	-
-	3	-	3	-	14.9	-	-
-	4	-	4	-	20.0	-	-
-	5	-	5	-	25.1	-	-
-	6	-	-	-	30.1	-	-
-	7	-	-	-	35.2	-	-
-	8	-	8	-	40.3	-	-
-	10	-	10	-	50.5	35.6	-
-	12	-	12	-	60.6	45.7	-
-	14	-	14	-	70.8	55.9	-
-	20	-	-	-	101.3	86.4	-
-	21	-	-	-	106.4	91.4	-
-	28	-	28	-	141.9	127.0	-
-	40	-	40	-	202.9	188.0	-
-	42	42	42	-	213.0	198.1	-
84	84	84	84	84	426.4	411.5	203.2
-	85	-	85	-	431.5	431.5	203.2

U-channel front panel as filler panel

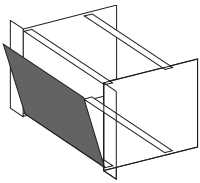
1 U H = 39.8 mm	3 U H = 128.7 mm	6 U H = 262.05 mm					
HP	HP	HP	a	B	b	c	d
-	2	2	9.8	-	-	-	-
-	3	-	14.9	-	-	-	-
-	4	4	20.0	-	-	-	-
-	5	5	25.1	-	-	-	-
-	6	6	30.1	-	-	-	-
-	7	-	35.2	-	-	-	-
-	8	8	40.3	25.4	-	-	-
-	10	10	50.5	35.6	-	-	-
-	12	12	60.6	45.7	-	-	-
-	14	14	70.8	55.9	-	-	-
-	20	20	101.3	86.4	-	-	-
-	21	-	106.4	91.4	-	-	-
-	28	28	141.9	127.0	61.0	-	-
-	40	-	202.9	188.0	91.5	-	-
-	42	42	213.0	198.1	96.5	-	-
-	60	60	304.5	289.6	96.5	193.0	-
84	84	84	426.4	411.5	101.6	203.2	304.8

Enclosures

Accessories for subracks

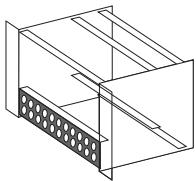
Front panels/EMC front panels

Hinged Catalogue 33, page 239

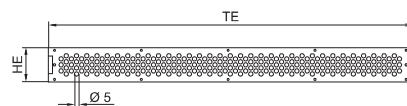


Front/rear panels for ventilation

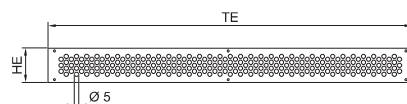
Catalogue 33, page 239



EMC version



Non-EMC version



EMC version:

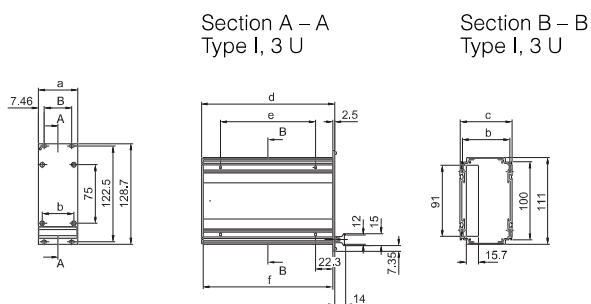
U (HE)	HP (TE)	Model No. RP
1	84	3688.029
3	84	3688.030

Non-EMC version:

U (HE)	HP (TE)	Model No. RP
1	84	3684.812
3	84	3684.814

Ripac box type plug-in units, type I

Catalogue 33, page 246



Board depth 160 mm

Model No. RP	HP	Dimensions (mm)						
		a	B	b	c	d	e	f
3 U								
3653.000	6	32.2	–	20.3	27.5	171.5	122	167
3653.010	8	40.3	–	30.5	36.0	171.5	122	167
3653.020	10	50.5	35.6	40.6	46.2	171.5	122	167
3653.030	12	60.6	45.7	50.8	56.4	171.5	122	167
3653.040	14	70.8	55.9	60.9	66.5	171.5	122	167
3653.050	21	106.3	91.4	96.4	102.0	171.5	122	167
3653.060	28	141.9	127.0	132.0	137.6	171.5	122	167

Board depth 220 mm

Model No. RP	HP	Dimensions (mm)						
		a	B	b	c	d	e	f
3 U								
3653.200	10	50.5	35.6	40.6	46.2	231.5	182	227
3653.210	12	60.6	45.7	50.8	56.4	231.5	182	227
3653.220	14	70.8	55.9	60.9	66.5	231.5	182	227
3653.230	21	106.3	91.4	96.4	102.0	231.5	182	227
3653.240	28	141.9	127.0	132.0	137.6	231.5	182	227