

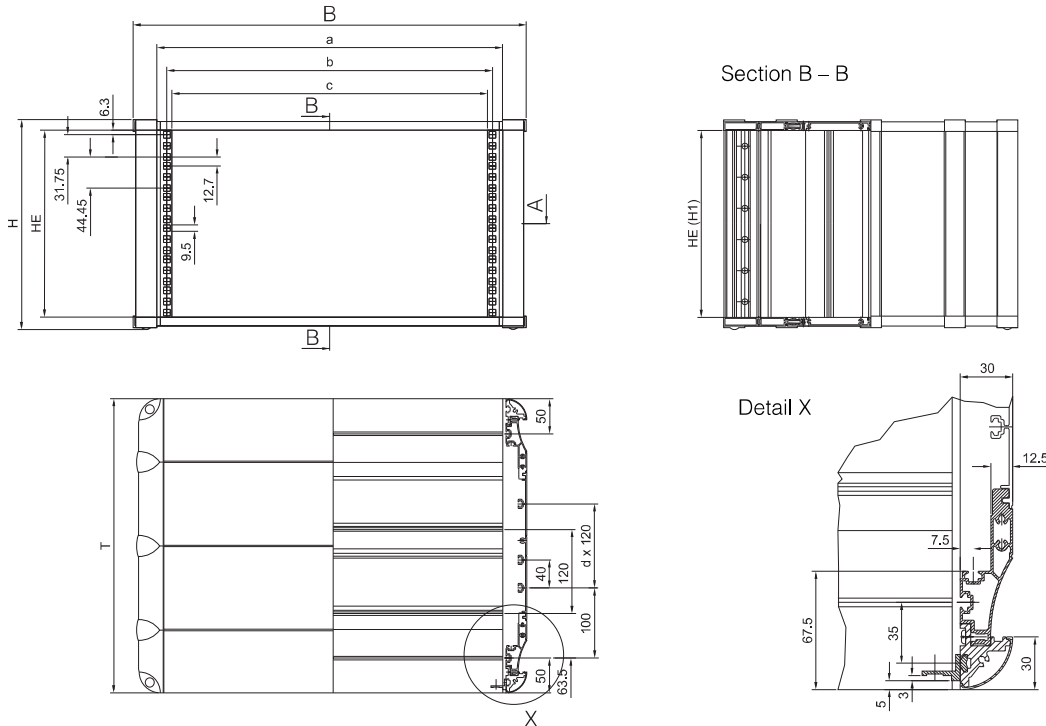
# Enclosures

## Instrument cases

### RiCase

269.2 mm (1 1/2 19") Catalogue 33, page 258

482.6 mm (19") Catalogue 33, page 259



#### RiCase 269.2 mm (1 1/2 19")

Not vented			
Model No. RC	3750.200	3750.210	3750.400
U (HE)	2	3	4
Width (B) mm	348.6	348.6	348.6
Height (H) mm	121.9	166.4	210.8
H1 (U) mm	89.4	133.8	178.3
Depth (T) mm	300.0	300.0	420.0
a mm	280.6	280.6	280.6
b mm	251.6	251.6	251.6
c mm	237.2	237.2	237.2
d	-	-	1

#### RiCase 482.6 mm (19")

Not vented										
Model No. RC	3750.310	3750.320	3750.420	3750.600	3750.610	3750.620	-	3750.710	-	3750.000
Vented										
Model No. RC	3750.330	3750.340	3750.440	-	3750.640	3750.650	3750.720	3750.730	3750.930	3750.030
U (HE)	3		4	6			7		9	12
Width (B) mm	562.0	562.0	562.0	562.0	562.0	562.0	562.0	562.0	562.0	562.0
Height (H) mm	166.4	166.4	210.8	299.7	299.7	299.7	344.2	344.2	433.1	566.5
H1 (U) mm	133.8	133.8	178.3	267.2	267.2	267.2	311.7	311.7	400.6	534.0
Depth (T) mm	300.0	420.0	420.0	300.0	420.0	540.0	420.0	540.0	540.0	540.0
a mm	494.0	494.0	494.0	494.0	494.0	494.0	494.0	494.0	494.0	494.0
b mm	465.0	465.0	465.0	465.0	465.0	465.0	465.0	465.0	465.0	465.0
c mm	450.6	450.6	450.6	450.6	450.6	450.6	450.6	450.6	450.6	450.6
d	-	1	1	-	1	2	1	2	2	2