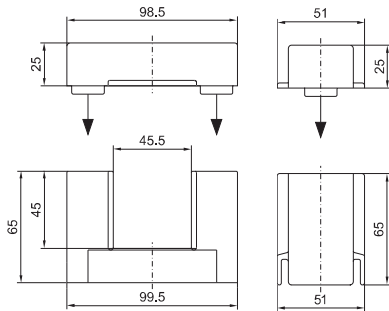


Maxi-PLS 1600/2000

Catalogue 33, page 328

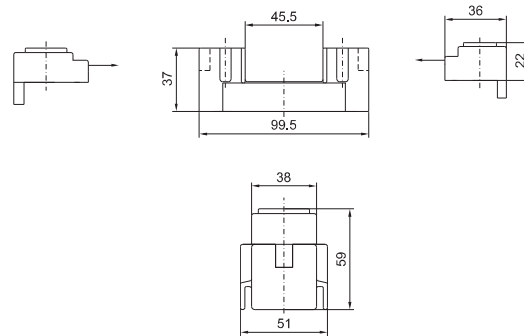
Busbar support

Model No. SV 9649.000



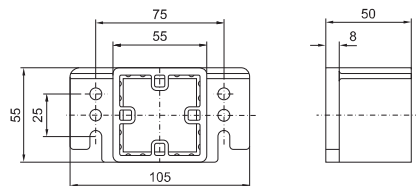
Busbar support, suitable for top mounting

Model No. SV 9649.160



End supports

Model No. SV 9649.010

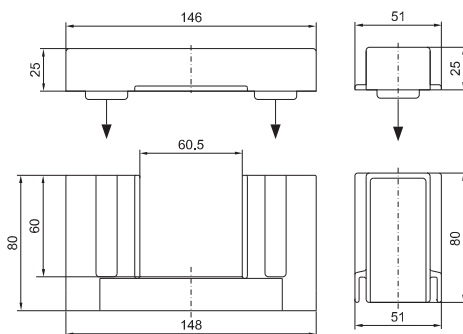


Maxi-PLS 3200

Catalogue 33, page 328

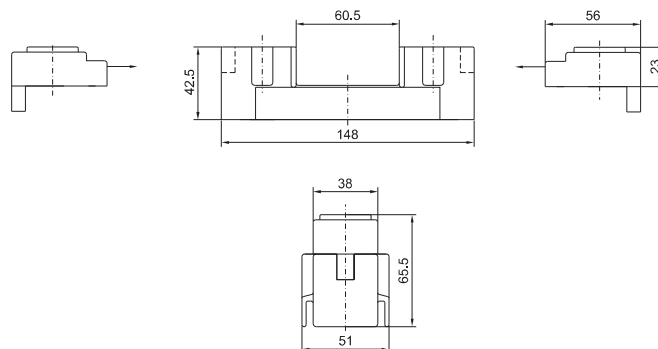
Busbar support

Model No. SV 9659.000



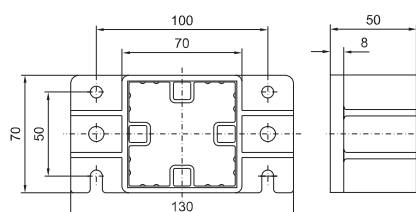
Busbar support, suitable for top mounting

Model No. SV 9659.160



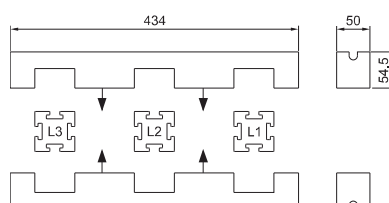
End supports

Model No. SV 9659.010



Stabiliser

Model No. SV 9650.140



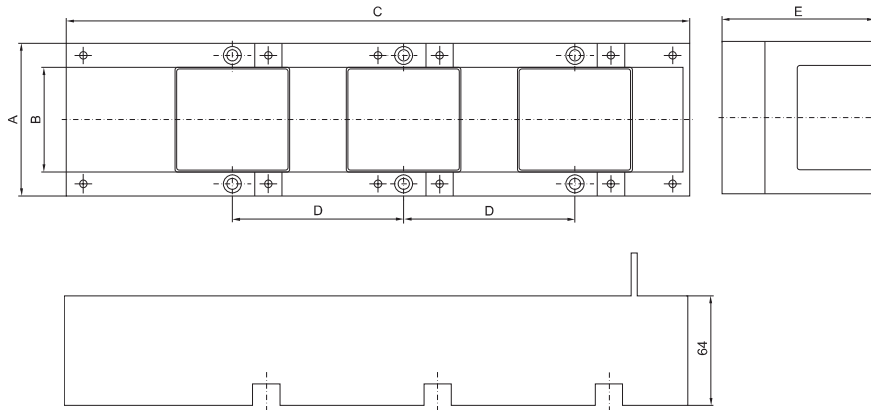
Power distribution

Maxi-PLS system components

Maxi-PLS 1600/2000/3200

Catalogue 33, page 329

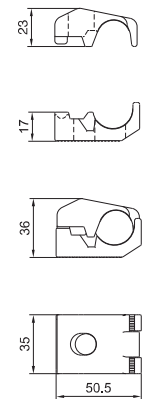
Isolator chassis



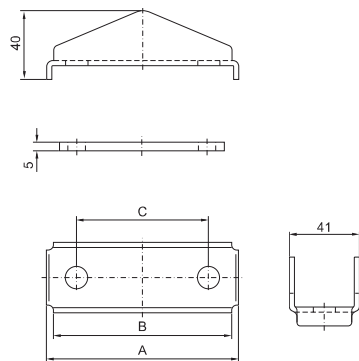
Model No. SV	A	B	C	D	E
9640.021	89	61	346	100	89
9650.021	89	61	479	150	94
9650.031	129	101	479	150	94

Connection clamp

Model No.
SV 9640.325
SV 9650.325

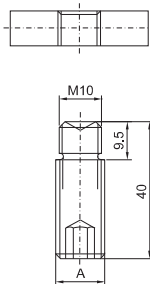


Connection plates

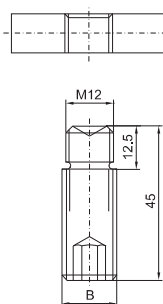


Model No. SV	Size	A mm	B mm	C mm	T-head screws	Tightening torque
9640.330	1	81	73	46	M10	20 Nm
9640.340	2	112	104	77	M10	25 Nm
9640.350	3	149	141	114	M10	30 Nm
9650.330	1	81	73	46	M12	25 Nm
9650.340	2	112	104	77	M12	30 Nm
9650.350	3	149	141	114	M12	35 Nm

Terminal studs (1600/2000)

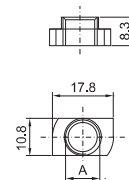


Terminal studs (3200)

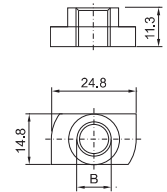


Model No. SV	A	B
9640.370	M12	-
9640.380	M16	-
9650.370	-	M12
9650.380	-	M16

Sliding nuts (1600/2000)



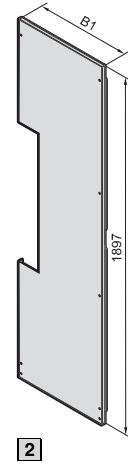
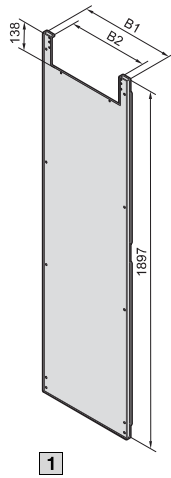
Sliding nuts (3200)



Model No. SV	A	B
9640.900	M6	-
9640.910	M8	-
9640.920	M10	-
9650.900	-	M6
9650.905	-	M8
9650.910	-	M10
9650.920	-	M12

Divider panel

Catalogue 33, page 331



Model No. SV	For enclosure height mm	W (B1) mm	W (B2) mm
9660.620	2000	502	418
9659.590	2000	702	618

Model No. SV	For enclosure height mm	W (B1) mm
9660.610	2000	502
9659.580	2000	702