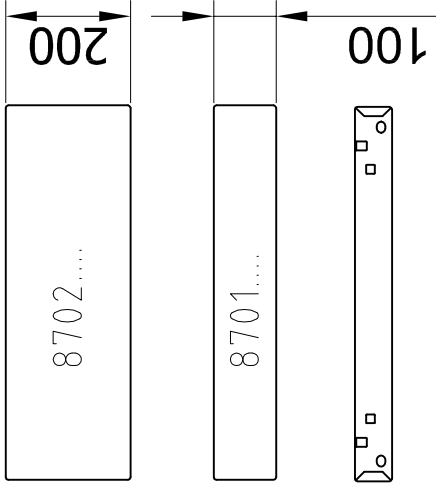
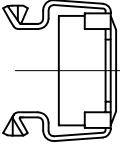
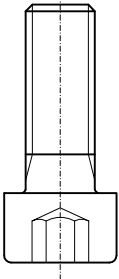
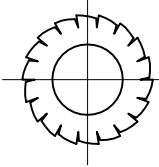




TS



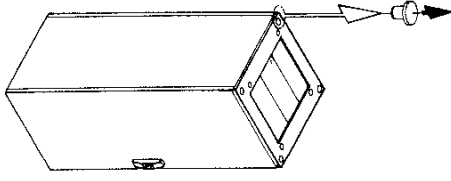
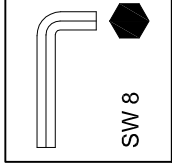
Raum für Verpackungsdatum
Area for date of packing
(MMJJTT / MMYDD)

4X		M12
4X		M12x25
4X		A13

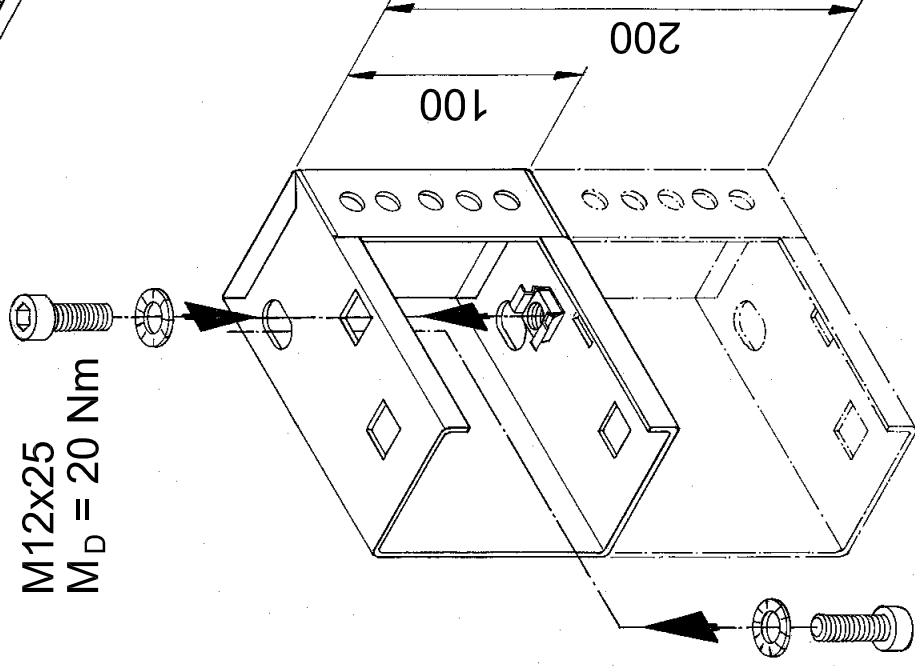
Zchng.-Nr. / No. of dwg. : A2776804TS

Versandbeutel-Nr. / No. of accessory bag : 285403

Lieferanten-Nr. / No. of supplier :



M12x25
M_D = 20 Nm



M12x25
M_D = 20 Nm