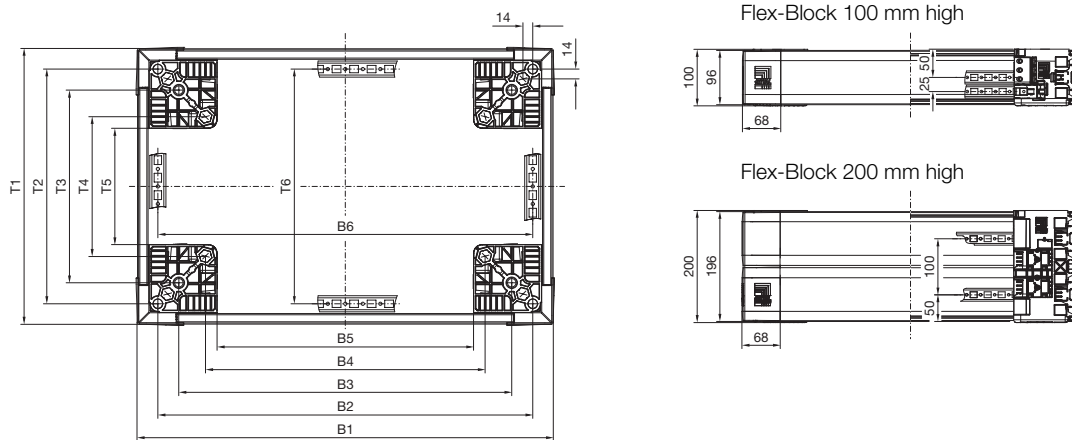


# System accessories

## Base/plinth

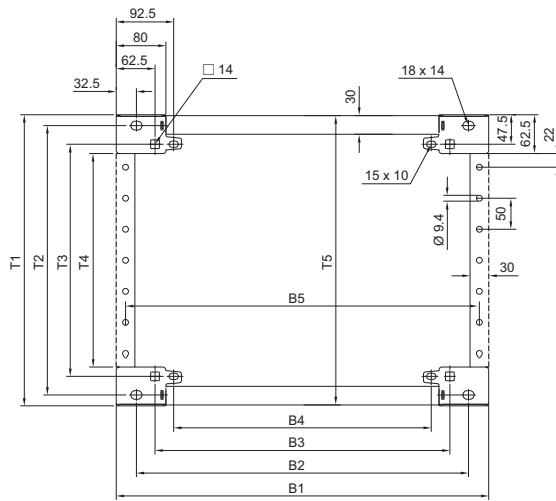
### Flex-Block base/plinth system



Flex-Block trim panels												
For enclosure width or depth mm	B1	B2	B3	B4	B5	B6	T1	T2	T3	T4	T5	T6
300	297	235	175	99	66	35	297	235	175	99	66	35
400	397	335	275	199	166	35	397	335	275	199	166	35
500	497	435	375	299	266	35	497	435	375	299	266	35
600	597	535	475	399	366	35	597	535	475	399	366	35
800	797	735	675	599	566	35	797	735	675	599	566	35
1000	997	935	875	799	766	35	997	935	875	799	766	35
1200	1197	1135	1075	999	966	35	1197	1135	1075	999	966	35
1600	1597	1535	1475	1399	1366	35	1597	1535	1475	1399	1366	35
1800	1797	1735	1675	1599	1566	35	1797	1735	1675	1599	1566	35

### TS base/plinth

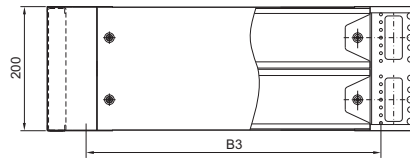
Sheet steel



Base/plinth, 100 mm high



Base/plinth, 200 mm high



Description of the hole patterns

B1/T1 = External dimensions

B2/T2 = For screw-fastening in the thread of the enclosure corner piece from below

B3/T3 = For screw-fastening with captive nuts to the enclosure base from below or above

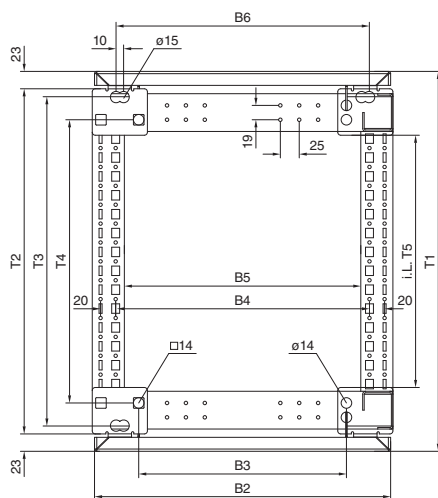
All holes (B2 – B4/T2 – T3) may be used for screw-fastening to the base.

Base/plinth components front/rear					
Width mm	B1	B2	B3	B4	B5
300	300	235	175	115	270
400	400	335	275	215	370
500	500	435	375	315	470
600	600	535	475	415	570
800	800	735	675	615	770
850	850	785	725	665	820
1000	1000	935	875	815	970
1100	1100	1035	975	915	1070
1200	1200	1135	1075	1015	1170
1600	1600	1535	1475	1415	1570
1800	1800	1735	1675	1615	1770

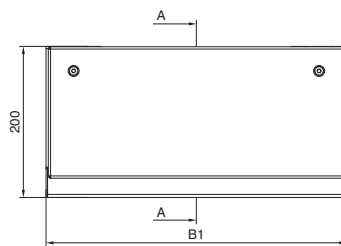
Base/plinth trim panels, side					
Depth mm	T1	T2	T3	T4	T5
300	269	235	175	144	268
400	369	335	275	244	368
500	469	435	375	344	468
600	569	535	475	444	568
800	769	735	675	644	768
900	869	835	775	744	868
1000	969	935	875	844	968
1200	1169	1135	1075	1044	1168

### Cable chamber

for TS, SE



i.L. = Clearance width



Section A – A



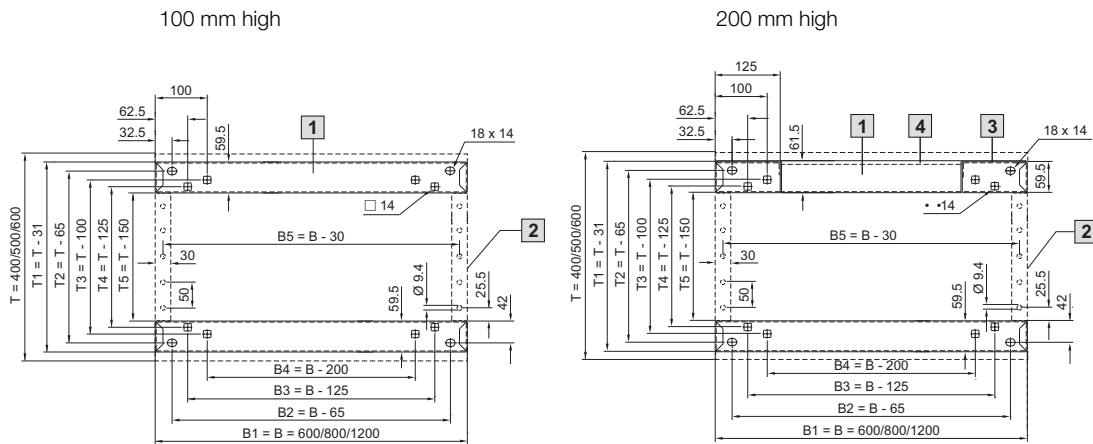
Enclosure width mm	400	600	800	1000	1200
B1	398	598	798	998	1198
B2	392	592	792	992	1192
B3	275	475	675	875	1075
B4	335	535	735	935	1135
B5	312	512	712	912	1112
B6	335	535	735	935	1135
Enclosure depth mm	500	600	800	–	–
T1	503	603	803	–	–
T2	457	557	757	–	–
T3	435	535	735	–	–
T4	375	475	675	–	–
T5	344	444	644	–	–

# System accessories

## Base/plinth

### Base/plinth components, front and rear / Base/plinth trim panels, side

Stainless steel for TS, SE



- 1 Base/plinth component front/rear
- 2 Base/plinth trim panel, side
- 3 Base/plinth corner piece
- 4 Trim panel, removable

Description of the hole patterns

B/T = Enclosure dimensions

B1/T1 = External dimensions

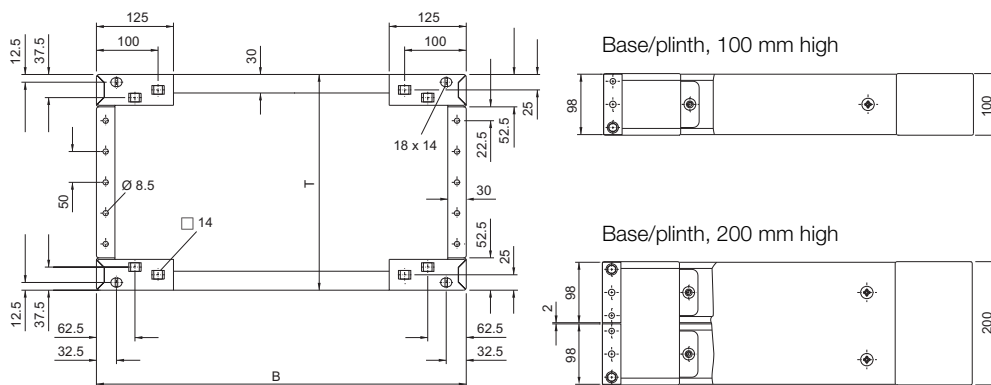
B2/T2 = For screw-fastening in the thread of the enclosure corner piece from below

B3/T3 = For screw-fastening with captive nuts to the enclosure base from below or above

All holes (B2 – B4/T2 – T4) may be used for screw-fastening to the base.

### Base/plinth, complete

Sheet steel for AE, TP universal console



AE

T = Enclosure depth -21 mm  
B = Enclosure width

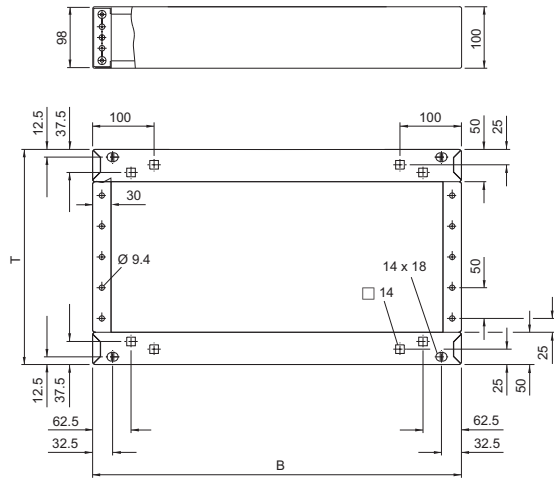
TP universal console

T = Enclosure depth -50 mm  
B = Enclosure width

### Base/plinth, complete

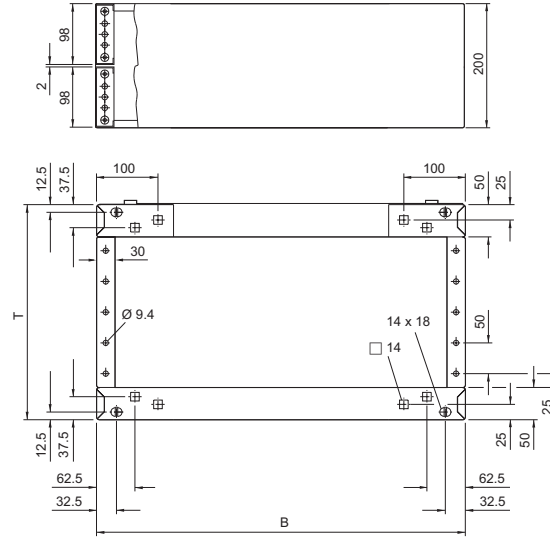
Stainless steel for one-piece consoles, stainless steel

Base/plinth, 100 mm high



T = Enclosure depth -50 mm  
B = Enclosure width

Base/plinth, 200 mm high

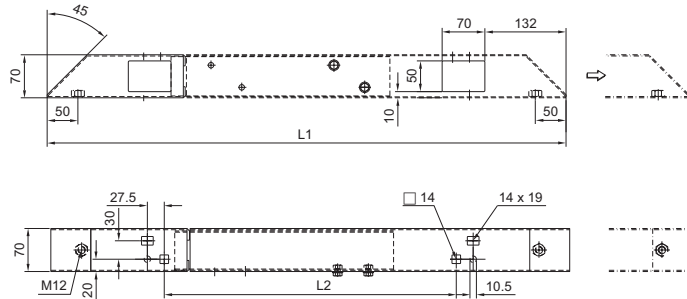


T = Enclosure depth -50 mm  
B = Enclosure width

### Cross member

for TS, SE, CM, TP, PC, IW, adjustable

TS 8601.450, TS 8601.680



Model No. TS	For enclosure depth mm	L1	L2
8601.450	400	644	275
	500	744	375
8601.680	600	844	475
	800	1044	675