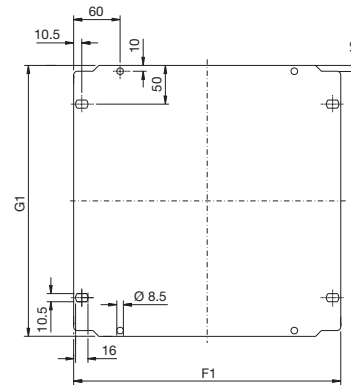
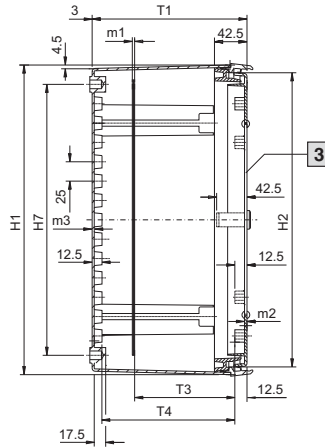
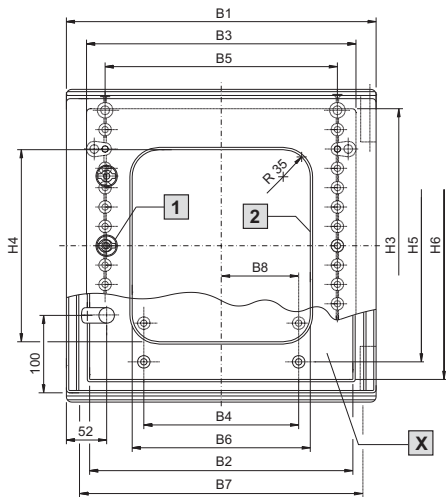


Plastic enclosures KS

KS 1423.500, KS 1432.500
with only one cam lock in the centre

Mounting plate



B7 = Separation width for wall mounting hole

H7 = Separation height for wall mounting hole

1 Only for KS 1423.500, KS 1432.500

2 Viewing window only with KS 1448.500, KS 1449.500, KS 1454.500, KS 1467.500

3 Material thickness of viewing window: 3 mm

X Door interior view

Model No. KS	Width dimensions mm								Height dimensions mm							Depth dimensions mm			Material thickness mm			Mounting plate mm	
	B1	B2	B3	B4	B5	B6 ¹⁾	B7	B8	H1	H2	H3	H4 ¹⁾	H5	H6	H7	T1	T3	T4	m1	m2	m3	F1	G1
1423.500	200	140	150	-	100	-	150	25	300	280	256	-	200	245	250	150	80 - 110/117	119	2.0	3.0	3.0	145	250
1432.500	250	190	200	75	150	-	200	50	350	330	306	-	250	295	300	150	80 - 110/117	119	2.0	3.0	3.0	195	300
1434.500	300	240	249	100	200	-	250	50	400	380	355	-	300	345	350	200	80 - 160/167	169	2.0	3.0	3.0	245	350
1444.500/ 1448.500	400	340	348	200	300	230	350	100	400	380	354	250	300	345	350	200	80 - 159/166	168.5	2.5	3.2	3.2	345	350
1446.500/ 1449.500	400	340	348	200	300	230	350	100	600	580	554	450	500	545	550	200	80 - 158/165	168	2.5	3.5	3.5	345	550
1466.500/ 1467.500	600	540	548	400	500	430	550	200	600	580	554	450	500	545	550	200	80 - 158/165	168	2.5	3.5	3.5	545	550
1453.500/ 1454.500	500	440	434	300	400	330	450	150	500	480	454	350	400	445	450	300	80 - 258/265	268	2.5	3.5	3.5	417	450

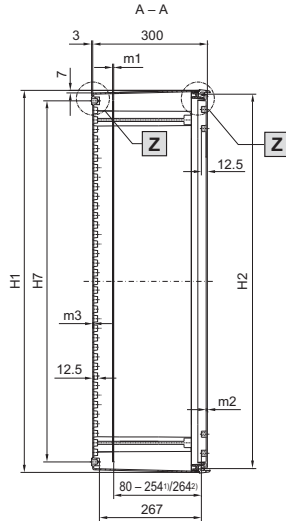
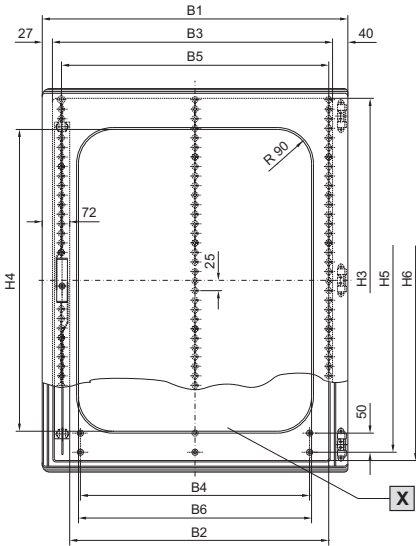
¹⁾ Only in enclosures with viewing window

Enclosures

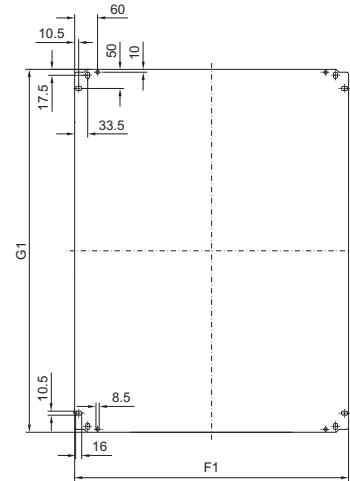
Compact enclosures

Plastic enclosures KS

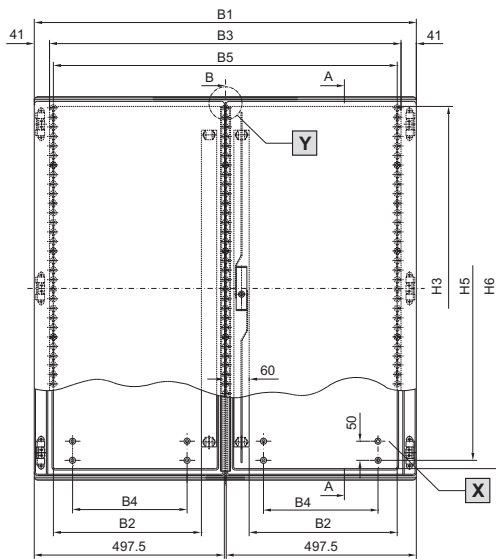
KS 1469.500/KS 1479.500
KS 1468.500/KS 1480.500 without viewing window



Mounting plate



KS 1400.500



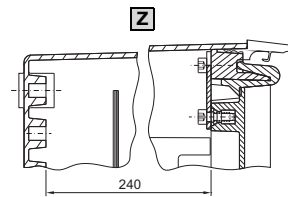
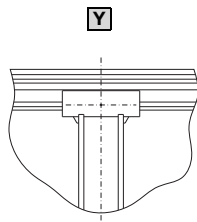
- 1) Infinite with mounting plate depth adjustment KS 1491.000
- 2) When mounting on studs directly on the threaded insert

B7 = Separation width
Wall mounting hole
H7 = Separation height
Wall mounting hole

X Door interior view

Y Screw-fastened centre bar for KS 1400.500

Z Distance from mounting insert to centre bar



Model No. KS	Width dimensions mm							Height dimensions mm							Material thickness mm			Mounting plate mm	
	B1	B2	B3	B4	B5	B6 ¹⁾	B7	H1	H2	H3	H4 ¹⁾	H5	H6	H7	m1	m2	m3	G1	F1
1468.500/1469.500	600	485	533	400	500	410	550	800	780	753	590	700	740	750	3	3.7	3.7	750	517
1479.500/1480.500	800	685	733	600	700	610	750	1000	980	953	790	900	940	950	3	3.7	4.0	950	717
1400.500	1000	387	918	300	900	-	950	1000	980	952	-	900	940	950	3	3.5	4.0	950	917

¹⁾ Only in enclosures with viewing window.