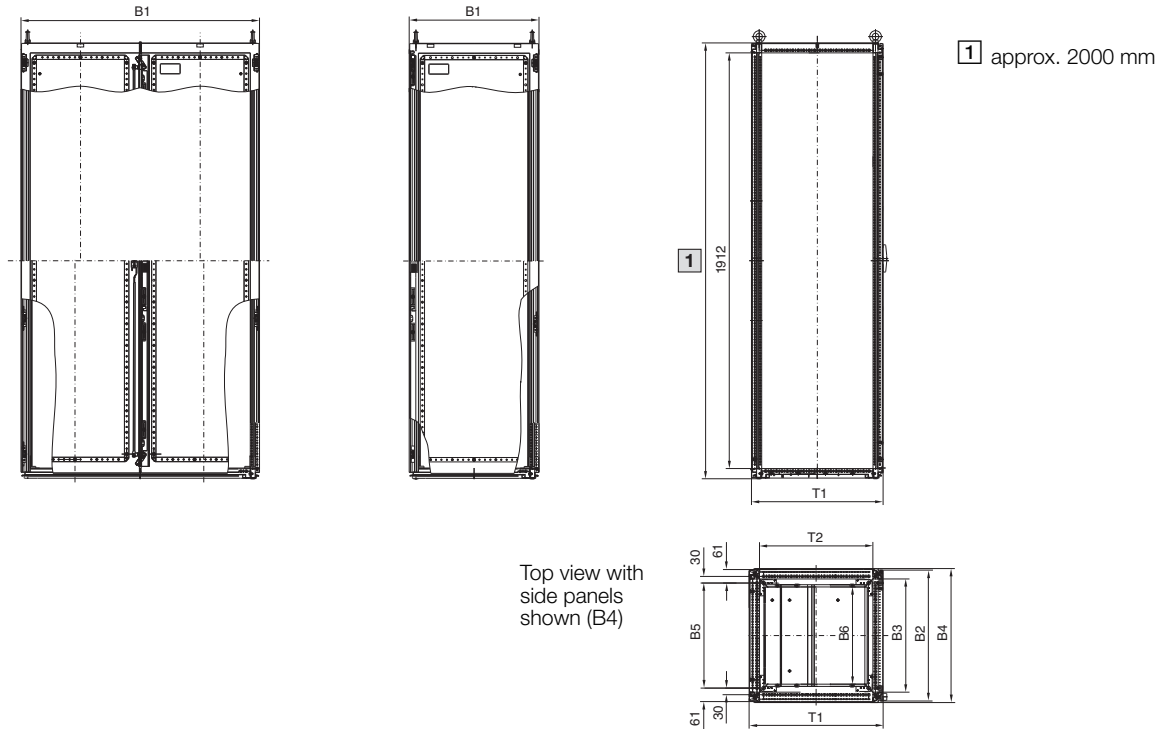


Baying systems TS 8

Distribution enclosures up to 1250 A

SV 9666.925, SV 9666.965

SV 9666.915, SV 9666.955,
TS 8604.500



Width dimensions mm						Depth dimensions mm		Model No. SV
B1	B2	B3	B4	B5	B6	T1	T2	
847	842	762	856	725	690	605	512	9666.915
1097	1092	1012	1106	975	940	605	512	9666.925
597	592	512	606	475	440	405	312	8604.500
847	842	762	856	725	690	405	312	9666.955
1097	1092	1012	1106	975	940	405	312	9666.965

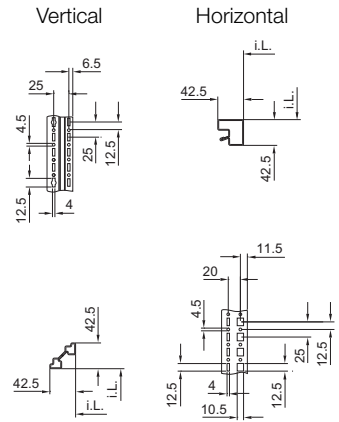
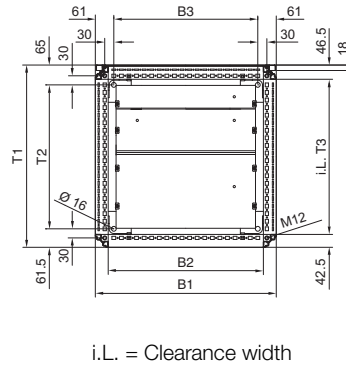
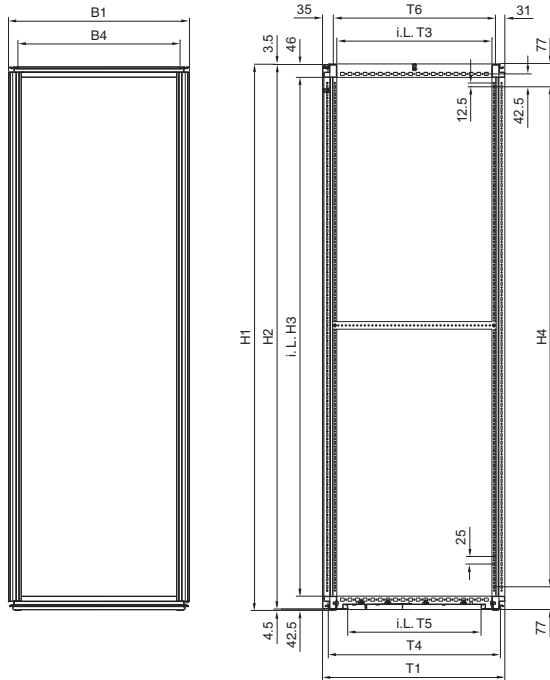
Enclosures

Enclosure systems

Baying systems TS 8

Modular enclosures

Cross-sections

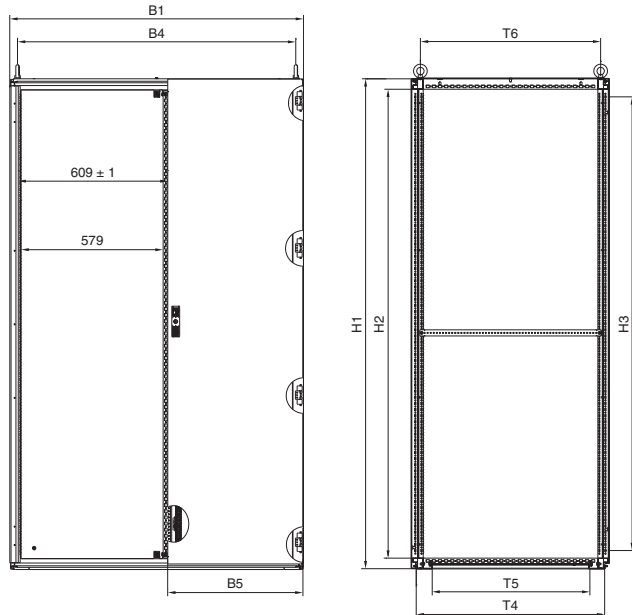


Model No. SV	Width dimensions mm				Height dimensions mm				Depth dimensions mm					
	B1	B2	B3	B4	H1	H2	H3	H4	T1	T2	T3	T4	T5	T6
9670.406	397	312	275	335	2005	1997	1912	1850	601.5	475	512	568	440	535
9670.408	397	312	275	335	2005	1997	1912	1850	801.5	675	712	768	640	735
9670.426	397	312	275	335	2205	2197	2112	2050	601.5	475	512	568	440	535
9670.428	397	312	275	335	2205	2197	2112	2050	801.5	675	712	768	640	735
9670.606	597	512	475	535	2005	1997	1912	1850	601.5	475	512	568	440	535
9670.608	597	512	475	535	2005	1997	1912	1850	801.5	675	712	768	640	735
9670.626	597	512	475	535	2205	2197	2112	2050	601.5	475	512	568	440	535
9670.628	597	512	475	535	2205	2197	2112	2050	801.5	675	712	768	640	735
9670.806	797	712	675	735	2005	1997	1912	1850	601.5	475	512	568	440	535
9670.808	797	712	675	735	2005	1997	1912	1850	801.5	675	712	768	640	735
9670.826	797	712	675	735	2205	2197	2112	2050	601.5	475	512	568	440	535
9670.828	797	712	675	735	2205	2197	2112	2050	801.5	675	712	768	640	735

- B1 = Overall width
- B2 = Clearance of enclosure frame
- B3 = Section length of system punchings/
hole spacing base/plinth attachment
- B4 = Distance between the lifting eyes
- H1 = Overall height
- H2 = Height of rear panel
- H3 = Clearance of enclosure frame
- H4 = Section length of system punchings
- T1 = Overall depth
- T2 = Section length of system punchings/
hole spacing base/plinth attachment
- T3 = Clearance of enclosure frame
- T4 = Depth of base frame
- T5 = Clearance of base opening
- T6 = Centre of lifting eye to centre of lifting eye

Baying systems TS 8

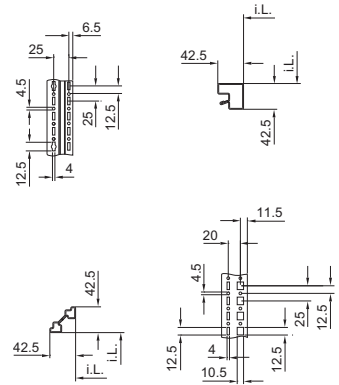
Fuse-switch disconnecter enclosures



Cross-sections

Vertical

Horizontal



i.L. = Clearance width

Model No. SV	Width dimensions mm					Height dimensions mm			Depth dimensions mm					
	B1	B2	B3	B4	B5	H1	H2	H3	T1	T2	T3	T4	T5	T6
9670.006	997	912	875	935	350.5	1997	1912	1850	601.5	475	512	568	440	535
9670.106	1197	1112	1075	1135	550.5	1997	1912	1850	601.5	475	512	568	440	535
9670.108	1197	1112	1075	1135	550.5	1997	1912	1850	801.5	675	712	768	640	735

- B1 = Overall width
- B2 = Clearance of enclosure frame
- B3 = Section length of system punchings/
hole spacing base/plinth attachment
- B4 = Distance between the lifting eyes
- B5 = Width of door
- H1 = Overall height
- H2 = Clearance of enclosure frame
- H3 = Section length of system punchings
- T1 = Overall depth
- T2 = Section length of system punchings/
hole spacing base/plinth attachment
- T3 = Clearance of enclosure frame
- T4 = Depth of base frame
- T5 = Clearance of base opening
- T6 = Centre of lifting eye to centre of lifting eye

Enclosures

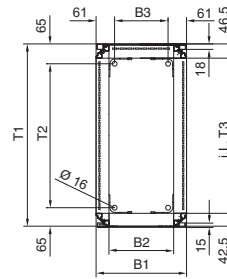
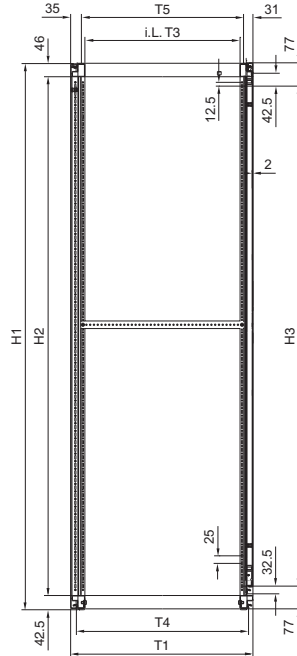
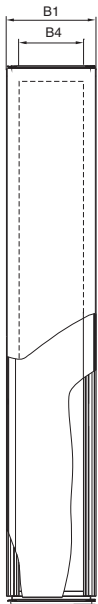
Enclosure systems

Baying systems TS 8

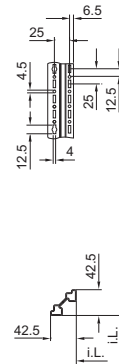
Busbar enclosures

Cross-sections

Vertical



i.L. = Clearance width



Model No. SV	Width dimensions mm				Height dimensions mm			Depth dimensions mm				
	B1	B2	B3	B4	H1	H2	H3	T1	T2	T3	T4	T5
9670.206	197	112	75	75	1997	1912	1850	605	475	512	561	535
9670.208	197	112	75	75	1997	1912	1850	805	675	712	761	735
9670.226	197	112	75	75	2197	2112	2050	605	475	512	561	535

- B1 = Overall width
- B2 = Clearance of enclosure frame
- B3 = Section length of system punchings/
hole spacing base/plinth attachment
- B4 = Distance between the lifting eyes
- H1 = Overall height
- H2 = Clearance of enclosure frame
- H3 = Section length of system punchings
- T1 = Overall depth
- T2 = Section length of system punchings/
hole spacing base/plinth attachment
- T3 = Clearance of enclosure frame
- T4 = Depth of base frame
- T5 = Centre of lifting eye to centre of lifting eye