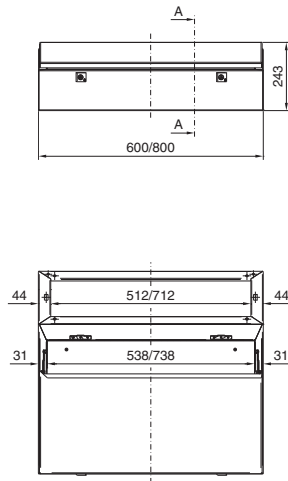
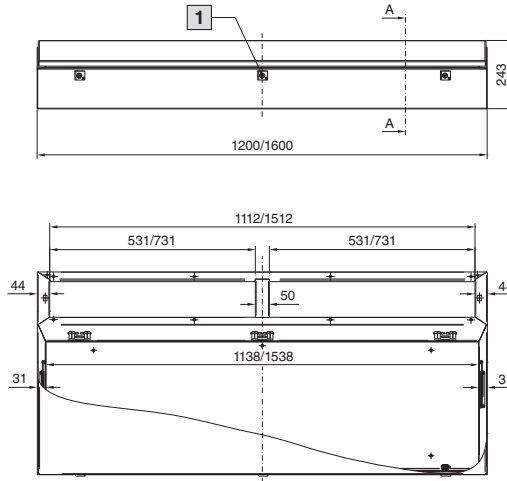


### Consoles

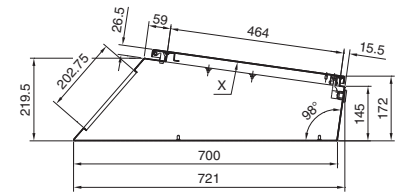
Width 600/800 mm  
TP 6720.500, TP 6721.500



Width 1200/1600 mm  
TP 6722.500, TP 6723.500



Section A – A

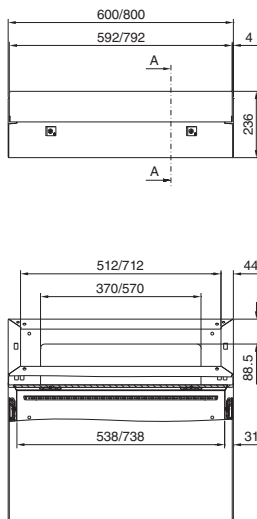


1 Only for width 1600 mm

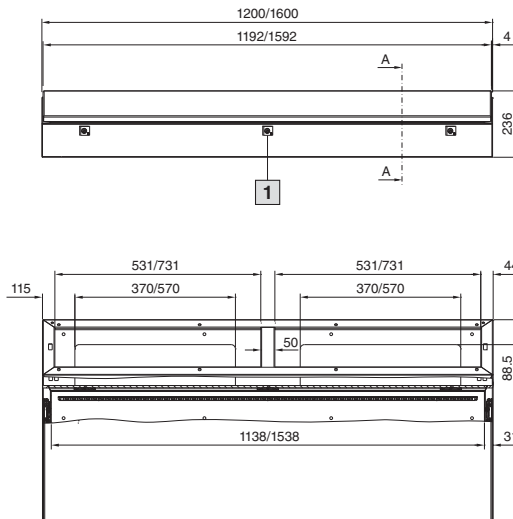
**Note:**  
– View X, see page 2

### Desk units, prepared for consoles

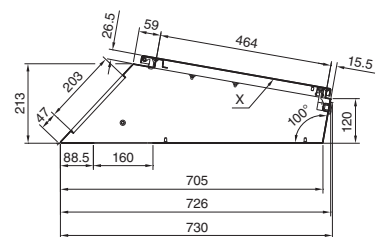
Width 600/800 mm  
TP 6714.500, TP 6715.500



Width 1200/1600 mm  
TP 6716.500, TP 6717.500



Section A – A



1 Only for width 1600 mm

**Note:**  
– View X, see page 2

# Enclosures

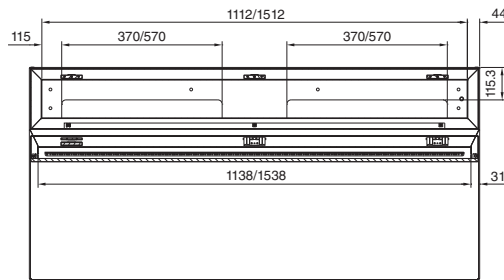
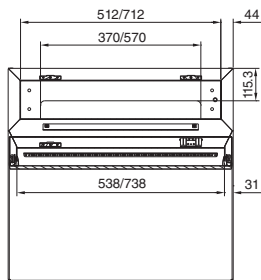
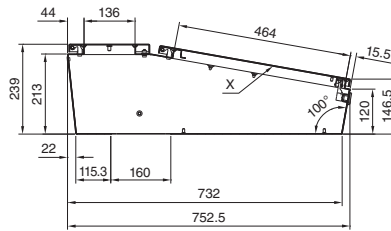
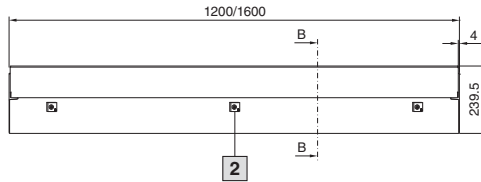
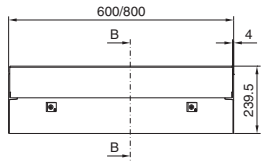
## TopConsole system TP

### Desk units, rear with hinged lid

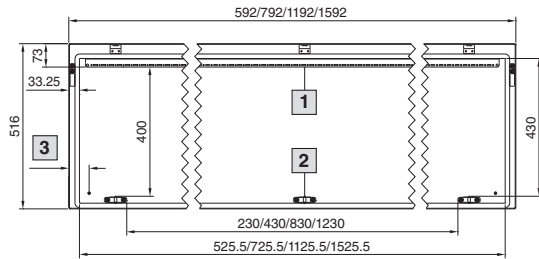
Width 600/800 mm  
TP 6710.500, TP 6711.500

Width 1200/1600 mm  
TP 6712.500, TP 6713.500

Section A – A



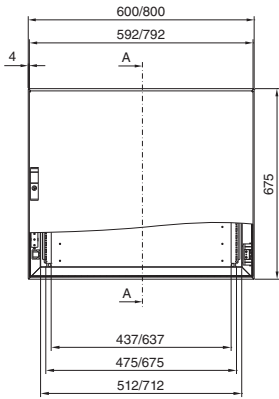
View X



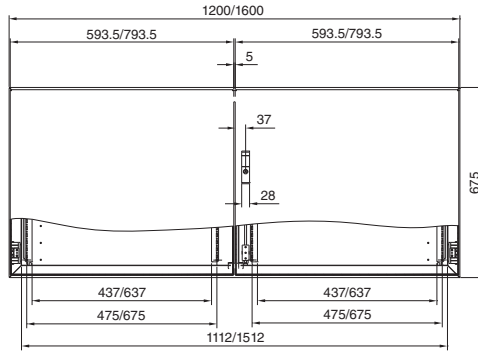
- 1 Does not apply to width 600/800 mm
- 2 Only for width 1600 mm
- 3 Width = 600/800/1200 = 63.5 mm  
Width = 1600/163.5 mm

### Pedestals, 400 mm deep

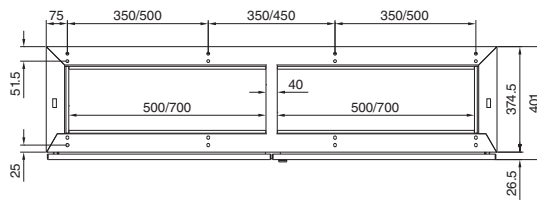
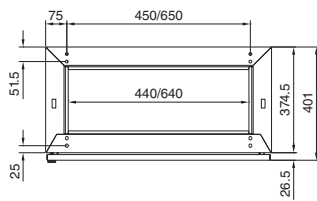
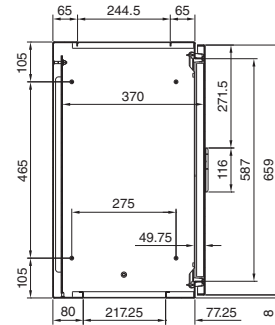
Width 600/800 mm  
TP 6700.500, TP 6701.500



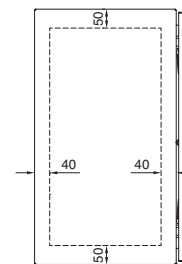
Width 1200/1600 mm  
TP 6702.500, TP 6703.500



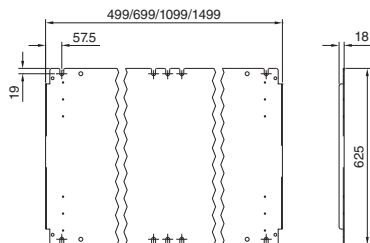
Section A – A



Mounting cut-out



Mounting plate

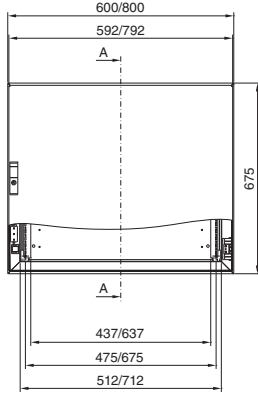


# Enclosures

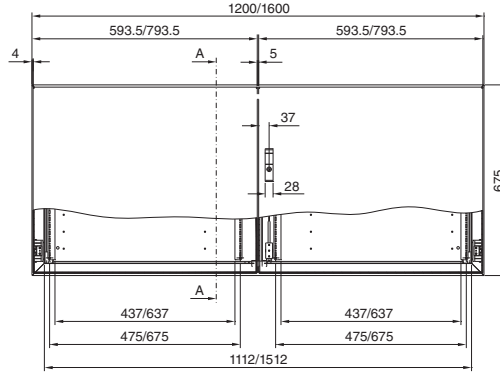
## TopConsole system TP

### Pedestals, 500 mm deep

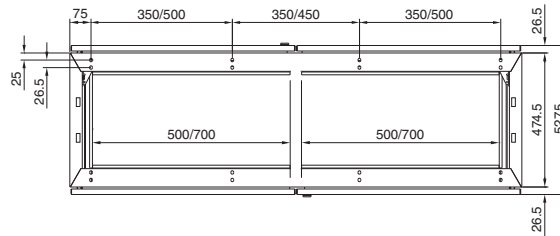
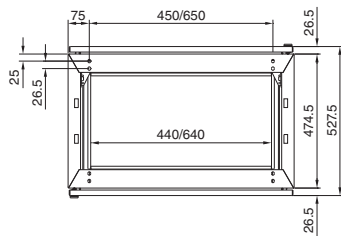
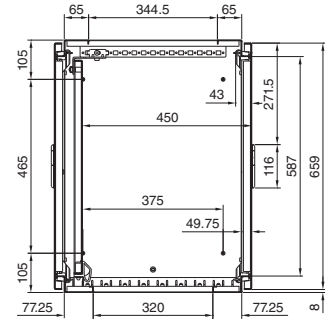
Width 600/800 mm  
TP 6704.500, TP 6705.500



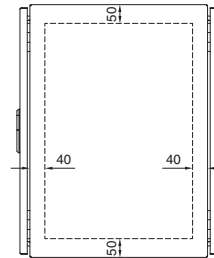
Width 1200/1600 mm  
TP 6706.500, TP 6707.500



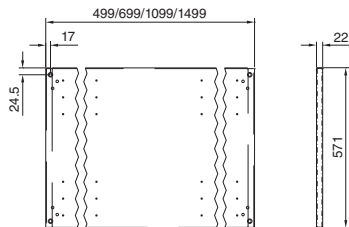
Section A – A



Mounting cut-out

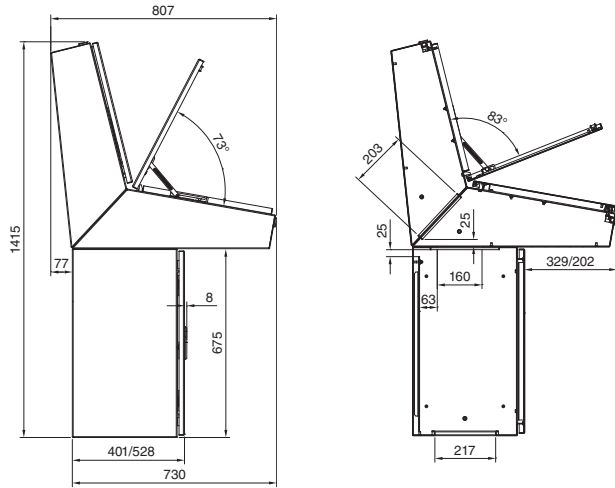


Mounting plate

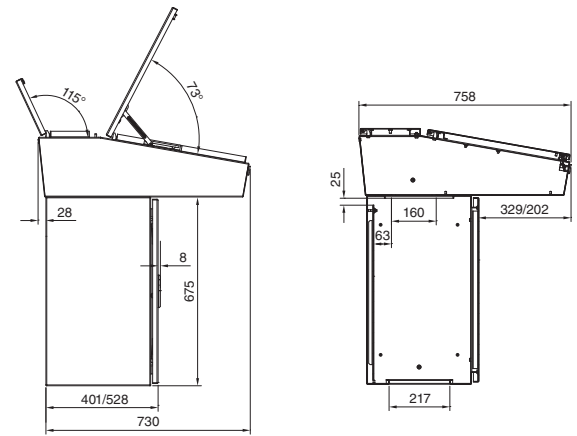


### Combination options

Configuration 3-part



Configuration 2-part



Configuration 1-part

