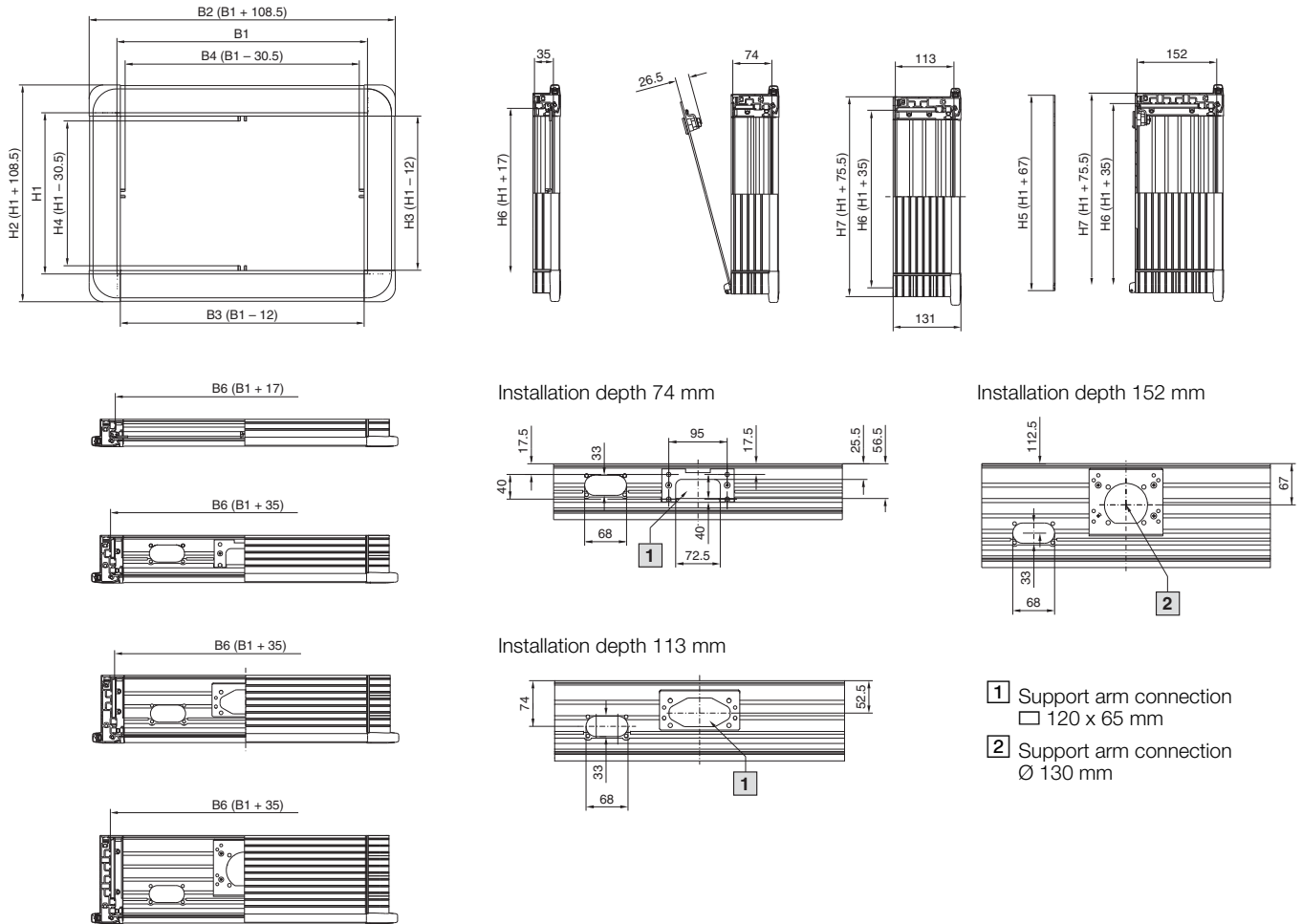


# Enclosures

## Comfort Panel

### Comfort Panel

**Standard range** (other installation depths can be selected using the operating housing configurator [www.rittal.com](http://www.rittal.com))

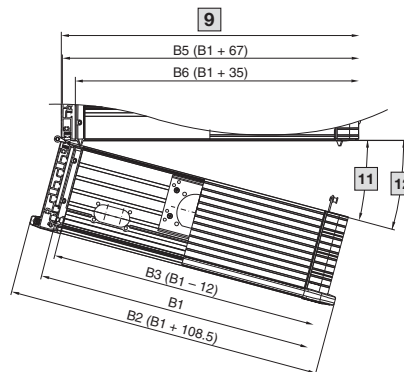
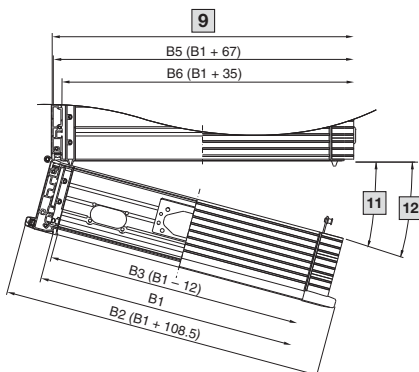
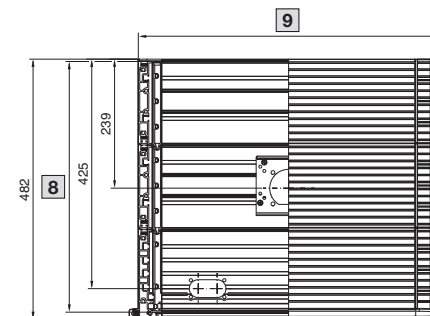
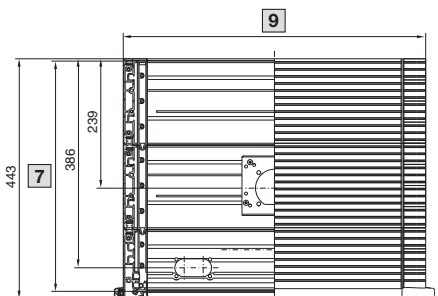
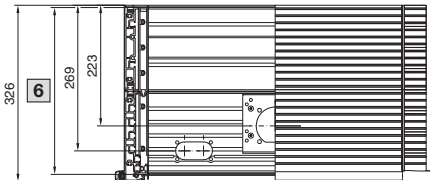
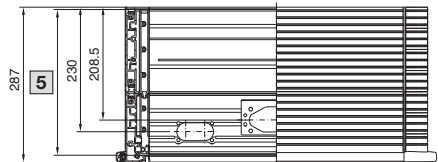
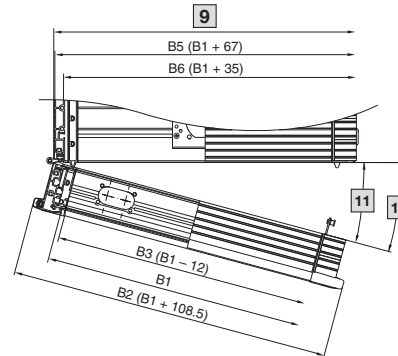
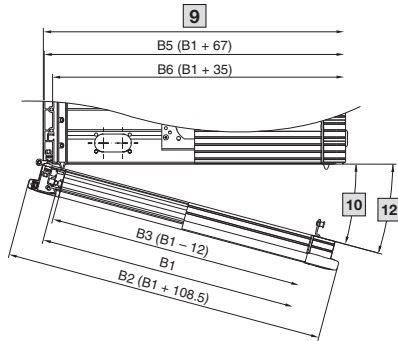
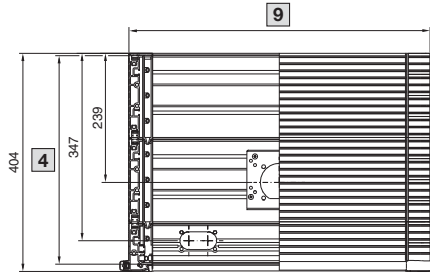
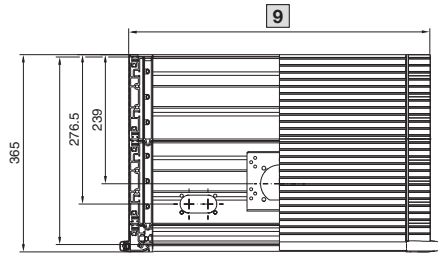
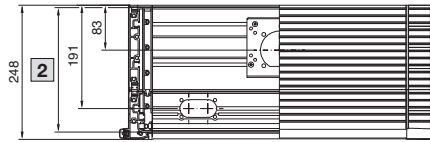
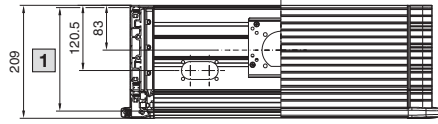


Model No. CP	6372.541	6372.542	6372.543	6372.551	6372.552	6372.553	6372.562	6372.563
Support arm connection	□ 120 x 65 mm	Ø 130 mm	Ø 130 mm	□ 120 x 65 mm	Ø 130 mm	Ø 130 mm	Ø 130 mm	Ø 130 mm
B1 = Width of front panel	520	520	520	520	520	520	520	520
H1 = Height of front panel	400	400	400	500	500	500	600	600
Max. installation depth	74	152	191	74	152	191	152	191
Overall depth	92	170	209	92	170	209	170	209
B2 = Overall width	628.5	628.5	628.5	628.5	628.5	628.5	628.5	628.5
B3 = Clearance width between enclosure sections	508	508	508	508	508	508	508	508
B4 = Clearance width between the retaining claws of the mounting kit	489.5	489.5	489.5	489.5	489.5	489.5	489.5	489.5
B5 = Width of rear panel	587.5	587.5	587.5	587.5	587.5	587.5	587.5	587.5
B6 = Clearance width for assembly	555	555	555	555	555	555	555	555
B7 = Enclosure width	595.5	595.5	595.5	595.5	595.5	595.5	595.5	595.5
H2 = Overall height	508.5	508.5	508.5	608.5	608.5	608.5	708.5	708.5
H3 = Clearance height between enclosure sections	388	388	388	488	488	488	588	588
H4 = Clearance height between the retaining claws of the mounting kit	369.5	369.5	369.5	469.5	469.5	469.5	569.5	569.5
H5 = Height of rear panel	467.5	467.5	467.5	567.5	567.5	567.5	667.5	667.5
H6 = Clearance height for assembly	435	435	435	535	535	535	635	635
H7 = Enclosure height	475.5	475.5	475.5	575.5	575.5	575.5	675.5	675.5

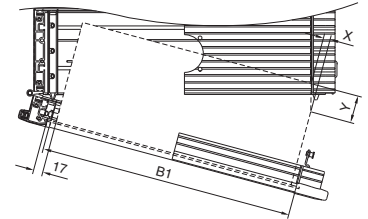
### Comfort Panel

#### Standard range

(other installation depths can be selected using the operating housing configurator [www.rittal.com](http://www.rittal.com))



Calculating the swivel mounting space



Front panel width (B1) mm	Installation depth mm			
	191, 230, 269, 308		347, 386, 425, 464	
	X	Y	X	Y
300	26	71	187	226
350	21	65	141	221
400	17	59	116	215
450	14	54	99	209
482.6	12	51	91	206
500	12	49	87	204
550	10	45	77	201
600	9	40	70	196
650	7	36	63	193
700	6	32	58	183

- 1 Max. installation depth 191 mm
- 2 Max. installation depth 230 mm
- 3 Max. installation depth 347 mm
- 4 Max. installation depth 386 mm
- 5 Max. installation depth 269 mm
- 6 Max. installation depth 308 mm
- 7 Max. installation depth 425 mm
- 8 Max. installation depth 464 mm
- 9 B7 (without fins: B1 + 75.5, with partial fins: B1 + 105)
- 10 With fins 160°
- 11 With fins 65°
- 12 Without fins 170°

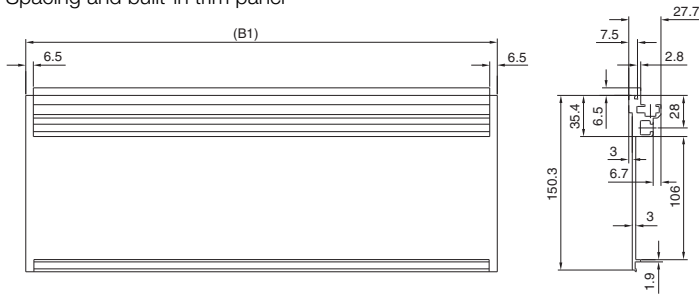
# Enclosures

## Comfort Panel

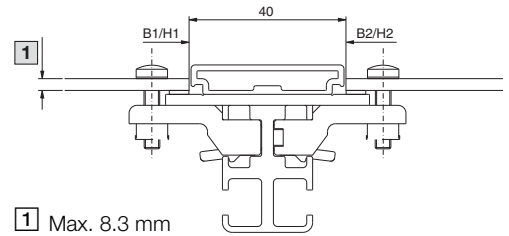
### Comfort Panel

**Front design** (may be selected using the operating housing configurator at [www.rittal.com](http://www.rittal.com))

Spacing and built-in trim panel



Cross member



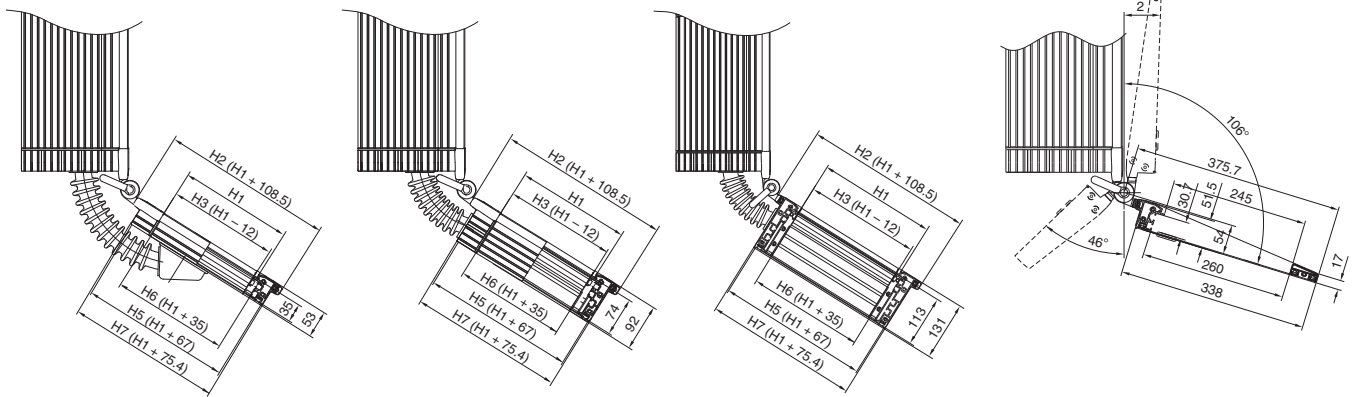
**Keyboard housing** (may be selected using the operating housing configurator at [www.rittal.com](http://www.rittal.com))

External mounting situation  
Keyboard housing 35 mm

External mounting situation  
Keyboard housing 74 mm

External mounting situation  
Keyboard housing 113 mm

External mounting situation  
Support for keyboards



### Load specifications for installed equipment

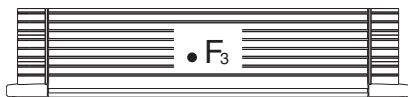
One-piece/screw-fastened enclosure

Installation depths:

A1, A2, A3, B1, B2, B3, B4, B5, B6, B7, B8

F1 = 500 N

F1 = F3



Multi-piece/hinged enclosure

Installation depths:

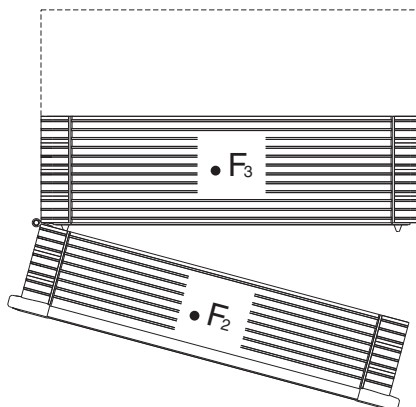
C1, C2, C3, C4, C5, C6, C7, C8

F2 = 150 N

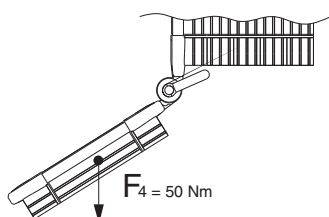
F2 = 100 N when mounting keyboard housing

F3 = 350 N

F1 = 500 N



Keyboard housing



Key:

F1 = Overall installed weight (N)

F2 = Permissible installed weight, hinged part (N)

F3 = Permissible installed weight, enclosure frame (N)

F3 = Permissible installed weight of enclosure frame with support arm connection (N)

F4 = Permissible installed weight of keyboard housing (N)

F4 = Permissible installed weight of keyboard housing (N)

F4 = Permissible installed weight of keyboard housing (N)

Installation depth mm	One-piece	Hinged	Screw-fastened
74	A1	-	-
113	A3	-	-
152	A2	-	-
191	-	B1	C1
230	-	B2	C2
269	-	B7	C7
308	-	B3	C3
347	-	B4	C4
386	-	B5	C5
425	-	B8	C8
464	-	B6	C6

## Comfort Panel

### Minimum front panel width (B1)

Depending on:

- Installation depth of the operating housing
- With or without keyboard housing
- Position of the support arm connection

Version		Installation depths of operating housings mm				
Keyboard housing (may be selected using the operating housing configurator)	Support arm and pedestal connection (may be selected using the operating housing configurator)	74	113	152	191, 308, 347, 269	230, 386, 464, 425
0 = without keyboard housing	0 to 6 top or bottom	150				
with 1, 2 or 5	0, 1 or 4	200				
	with 2, 3, 5 or 6	335				200
with 2A or 5A	2 or 5	335				200
	0, 1 or 4	200				
0 = without keyboard housing	4A, 5A, 6A	-	250	250 <sup>1)</sup>	250	
with 1, 2 or 5	4A	-	440	440 <sup>1)</sup>	440	
0, 1, 2, 5	4B, 5B, 6B	-	460	460 <sup>1)</sup>	460	
with 3	0 to 6 top or bottom	335				
with 4		385				

<sup>1)</sup> For enclosure depth 269 mm only possible as a special order.

If these values are not met, each individual requirement can be examined, and often a special solution can be found (such as an off-centre support arm connection).