
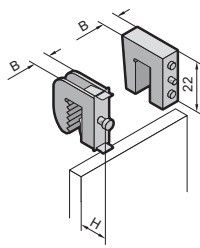
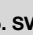




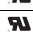



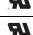




Power distribution

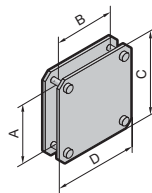
RiLine accessories: Connection system

Conductor connection clamps

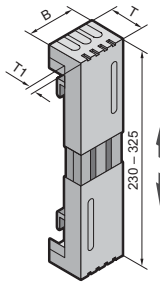




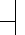
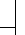
<p>Note:</p> <ul style="list-style-type: none"> – Current carrying capacity of connection cables, see chapter 2-101, page 5 – Technical information on the connection of conductors and conductor connectors, see chapter 2-101, page 4 <p>Approvals:</p>  <p>E191125</p>							
For bar thickness mm	Connection of round conductors ¹⁾ mm ²	Clamping area for laminated copper bars W x H mm	Tightening torque Nm	Width (B) mm	Height (H) mm		Model No. SV
					min.	max.	
3 – 5	1 – 4	–	2	8.0	–	–	3550.000 
5	1 – 4	–	2	11.0	17	23	3450.500 
5	2.5 – 16	8 x 8	3	14.0	22	29	3451.500 
5	16 – 50	10.5 x 11	8	18.5	26	39	3452.500 
5	35 – 70	16.5 x 15	12	24.5	39	57	3453.500 
5	70 – 185	22.5 x 20	15	30.5	44	66	3454.500 
6 – 10	1 – 4	–	2	8.0	–	–	3555.000 
10	1 – 4	–	2	11.0	17	23	3455.500 
10	2.5 – 16	8 x 8	3	14.0	22	29	3456.500 
10	16 – 50	10.5 x 11	8	18.5	26	39	3457.500 
10	35 – 70	16.5 x 15	12	24.5	39	57	3458.500 
10	70 – 185	22.5 x 20	15	30.5	44	66	3459.500 

¹⁾ Wire end ferrules should be used with fine and extra-fine wire conductors

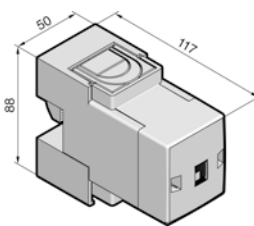
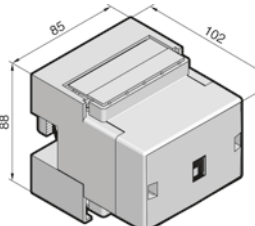
Plate clamps

<p>For the electromechanical connection of laminated copper bars with E-Cu busbars</p>							
For busbars mm	Clamping area for laminated copper bars W x H mm	Tightening torque Nm	Clearance opening		C mm	D mm	Model No. SV
			A mm	B mm			
12 x 5 – 30 x 10	34 x 10	8	34	34	55	55	3554.000
40 x 10	34 x 10	8	44	34	65	55	3559.000
50 x 10	34 x 10	8	54	34	75	55	3560.000
50 x 10	54 x 10	8	54	54	75	75	3562.000
60 x 10	34 x 10	8	64	34	85	55	3561.000
60 x 10	54 x 10	8	64	54	85	75	3563.000
80 x 10	65 x 10	8	84	65	105	86	3460.500

System covers

For 60 and 100 mm busbar systems (3-pole)			
Approvals:  E191125			
Width (B) mm	Depth (T) mm	Depth (T1) mm	Model No. SV
50	80	40	3086.000 
100	80	40	3087.000 
100	110	70	3090.000 
200	80	40	3088.000 
200	110	70	3091.000 

Connection block

Note: – When using the terminal on 2-pole busbar systems, the terminal must be rotated through 180° for connection to the PE busbar – Technical information on the connection of conductors and conductor connectors, see chapter 2-101, page 4 – Current carrying capacity of connection cables, see chapter 2-101, page 5 – The rated operating voltage for DC applications depends on the busbar arrangement in the busbar support SV 9340.050, SV 9341.050, SV 9342.050					
Rated current max.		800 A		1600 A	
Rated operating voltage		690 V AC		690 V AC	
L1 + L2		1000 V DC		1000 V DC	
L1 + L3		1500 V DC		1500 V DC	
Model No. SV		9342.311		9342.321	
Assembly data for applications to IEC (EN)					
Conductor connection Cu mm ²		95 – 185 ¹⁾		–	
– f with wire end ferrule		95 – 300		–	
Clamping area for laminated copper bars, W x H mm		33 x 26		65 x 27	
– For 5 mm bar thickness		33 x 21		65 x 22	
– For 10 mm bar thickness					
Tightening torque Nm		14		20	
Material specifications					
Contact track: E-Cu, silver-plated		■		■	
Conductor connection clamp		■		–	
Cast brass, nickel-plated		–		–	
Stainless steel		–		■	

¹⁾ Connection up to 240 mm², fine-wire without wire end ferrule with a tightening torque of 20 Nm