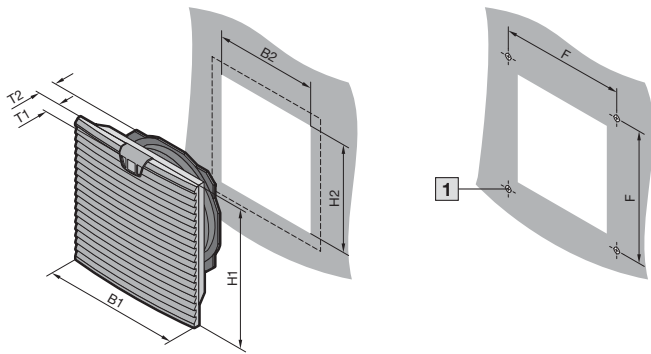


Climate control

Cooling with ambient air

TopTherm fan-and-filter units



Fan-and-filter units

Model No. SK			Product dimensions mm						Hole size mm	
			Fan-and-filter units			Max. installation depth	Mounting cut-out			
Standard	EMC	EC	B1	H1	T1	T2	B2	H2	1 Ø	F
3237.100	3237.600	-	116.5	116.5	16	43	92	92	3.5	100.5
3237.110	-	-								
3237.124	-	-								
3238.100	3238.600	3238.500	148.5	148.5	16	58.5	124	124	3.5	132.5
3238.110	-	-								
3238.124	-	-								
3239.100	3239.600	3239.500	204	204	24	90	177	177	4.5	185
3239.110	-	-								
3239.124	-	-								
3240.100	3240.600	3240.500	255	255	25	107	224	224	4.5	234
3240.110	-	-								
3240.124	-	-								
3241.100	3241.600	3241.500								
3241.110	-	-	323	323	25	118.5	292	292	4.5	302
3241.124	-	-								
3243.100	3243.600	3243.500								
3243.110	-	-	323	323	25	130.5	292	292	4.5	302
3244.100	3244.600	3244.500								
3244.110	3245.600	3245.500								
3244.140	-	3245.510								

Outlet filters

Model No. SK			Product dimensions mm						Hole size mm	
			Outlet filters			Max. installation depth	Mounting cut-out			
Standard and EC	EMC	EC (Model No. same as standard)	B1	H1	T1	T2	B2	H2	1 Ø	F
3237.200	3237.060	-	116.5	116.5	16	12	92	92	3.5	100.5
3238.200	3238.060	-	148.5	148.5	16	14	124	124	3.5	132.5
3239.200	3239.060	-	204	204	24	23	177	177	4.5	185
3240.200	3240.060	-	255	255	24	23	224	224	4.5	234
3243.200	3243.060	-	323	323	24	23	292	292	4.5	302