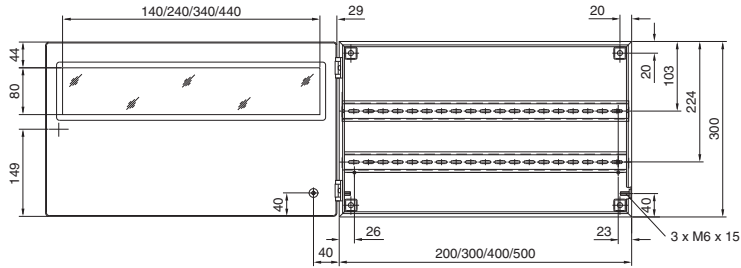


# Kytentäkaapit

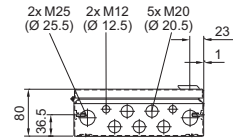
## Pienkotelot

### BG-väyläkotelot

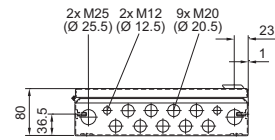
BG 1583.520, BG 1584.520, BG 1585.520, BG 1586.520



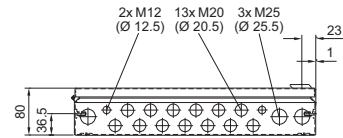
BG 1583.520



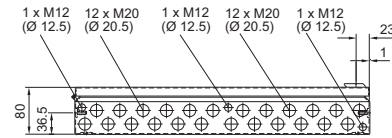
BG 1584.520



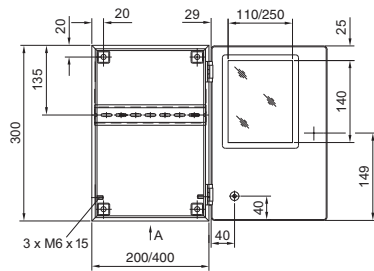
BG 1585.520



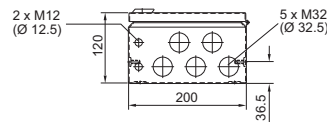
BG 1586.520



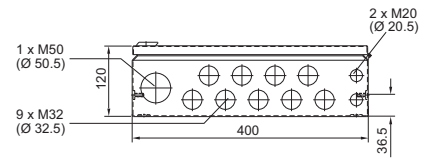
### BG 1605.520, BG 1606.520



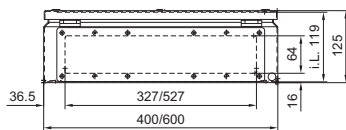
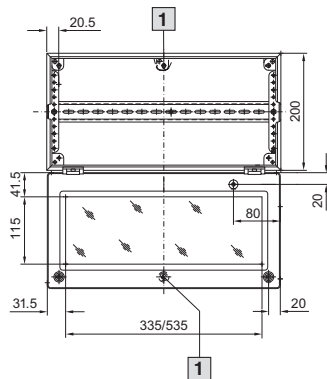
BG 1605.520



BG 1606.520



### BG 1558.510, BG 1559.510

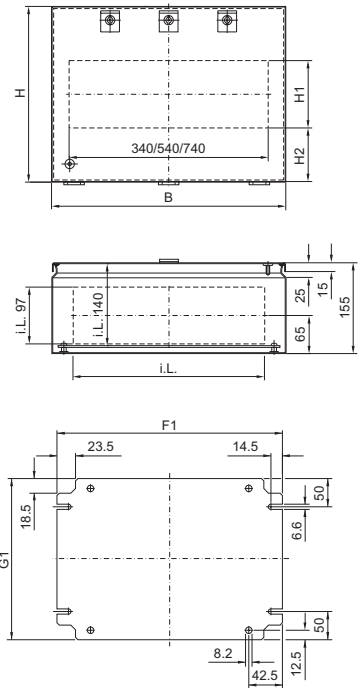


1 Vain mallissa BG 1559.510  
i.L. = Clearance width

### BG-väylätelot

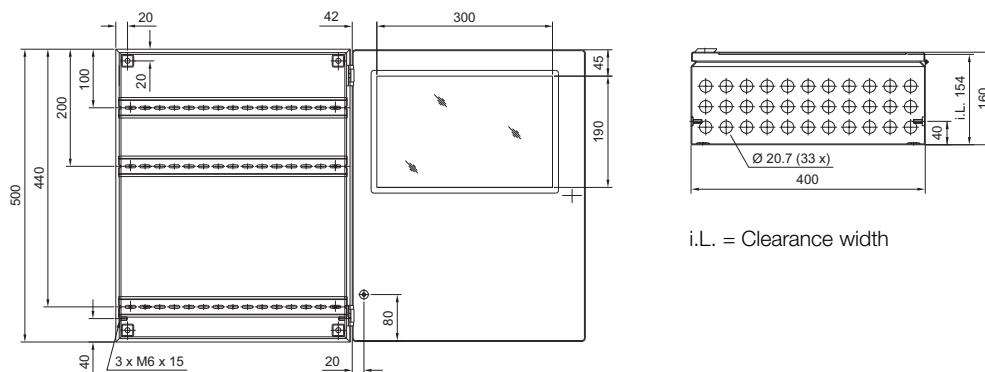
BG 1577.XXX, BG 1578.XXX, BG 1579.XXX

Til.nro BG	Mitat mm					Laitteikkunan korkeudet mm	
	B	K	T	F1	G1	H1	H2
1577.500	400	300	155	385	275	-	-
1577.530						190	42
1577.450						155	92
1578.500	600	300	155	585	275	-	-
1578.530						190	42
1578.450						155	92
1579.500	800	300	155	785	275	-	-
1579.530						190	42
1579.450						155	92



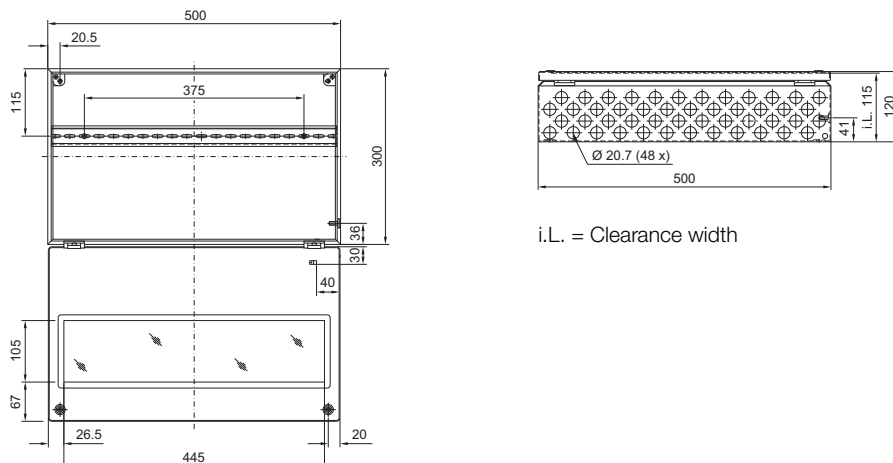
i.L. = Clearance width

### BG 1611.510



i.L. = Clearance width

### BG 1609.510



i.L. = Clearance width