

# Rittal – The System.

**Faster – better – worldwide.**

- Enclosures
- Power Distribution
- Climate Control
- IT Infrastructure
- Software & Services

# Rittal – The System.

**Faster – better – worldwide.**



**Erdbeben-Kit  
Earthquake kit  
Equipement antisismique  
Aardbevingskit  
Jordbävningssats  
Kit antisismico  
Juego para zonas con  
riesgo sísmico**

**TS 8613.860**

11.2017 / 310140 / D-0000-00001244 REV00

**Montageanleitung  
Assembly instructions  
Notice de montage  
Montagehandleiding  
Montageanvisning  
Istruzioni di montaggio  
Instrucciones de montaje**

RITTAL GmbH & Co. KG  
Postfach 1662 · D-35726 Herborn  
Phone +49(0)2772 505-0 · Fax +49(0)2772 505-2319  
E-mail: [info@rittal.de](mailto:info@rittal.de) · [www.rittal.com](http://www.rittal.com)



**RITTAL**



ENCLOSURES

POWER DISTRIBUTION

CLIMATE CONTROL

IT INFRASTRUCTURE

SOFTWARE & SERVICES

FRIEDHELM LOH GROUP

ENCLOSURES

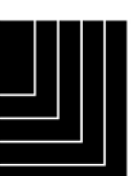
POWER DISTRIBUTION

CLIMATE CONTROL

IT INFRASTRUCTURE

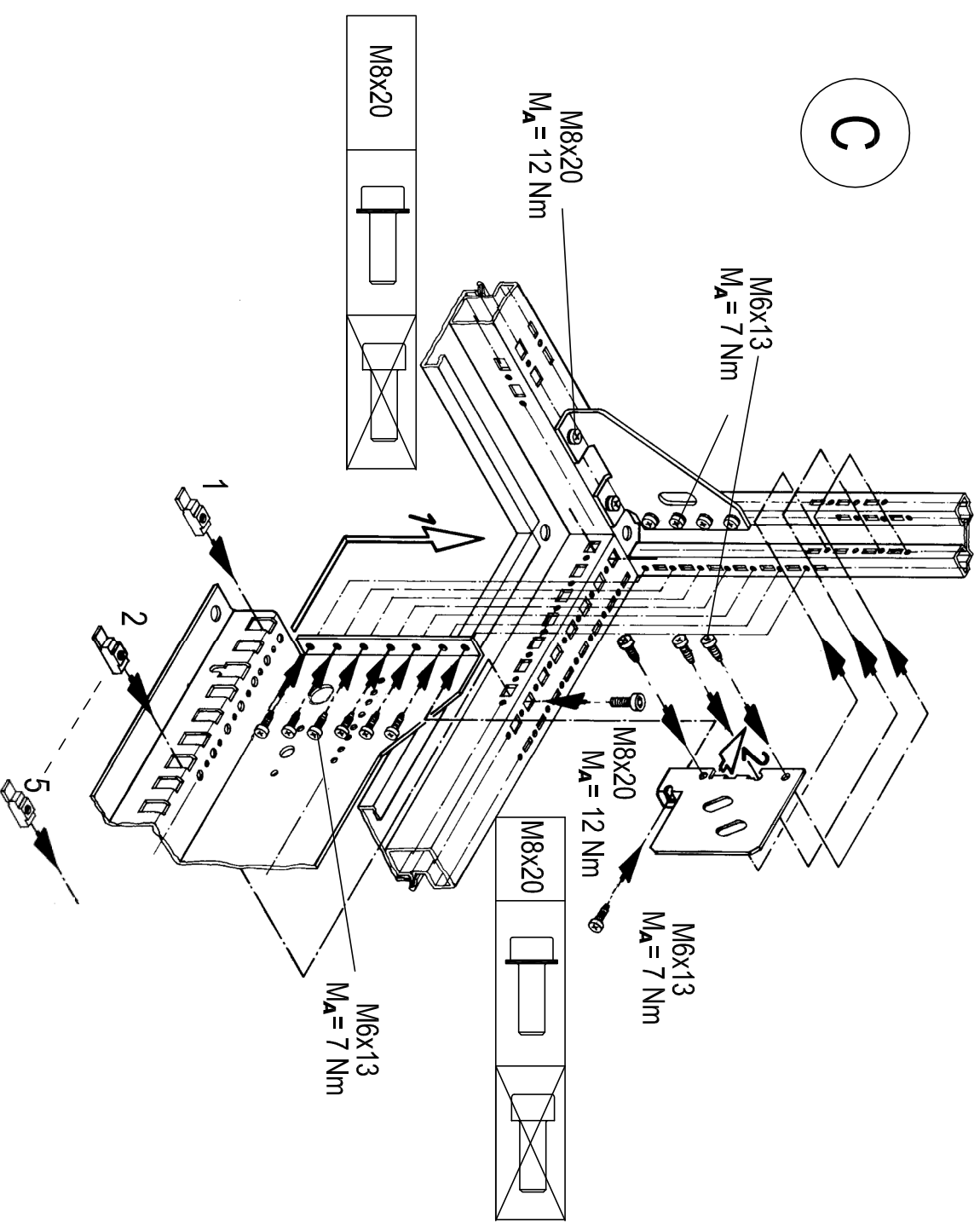
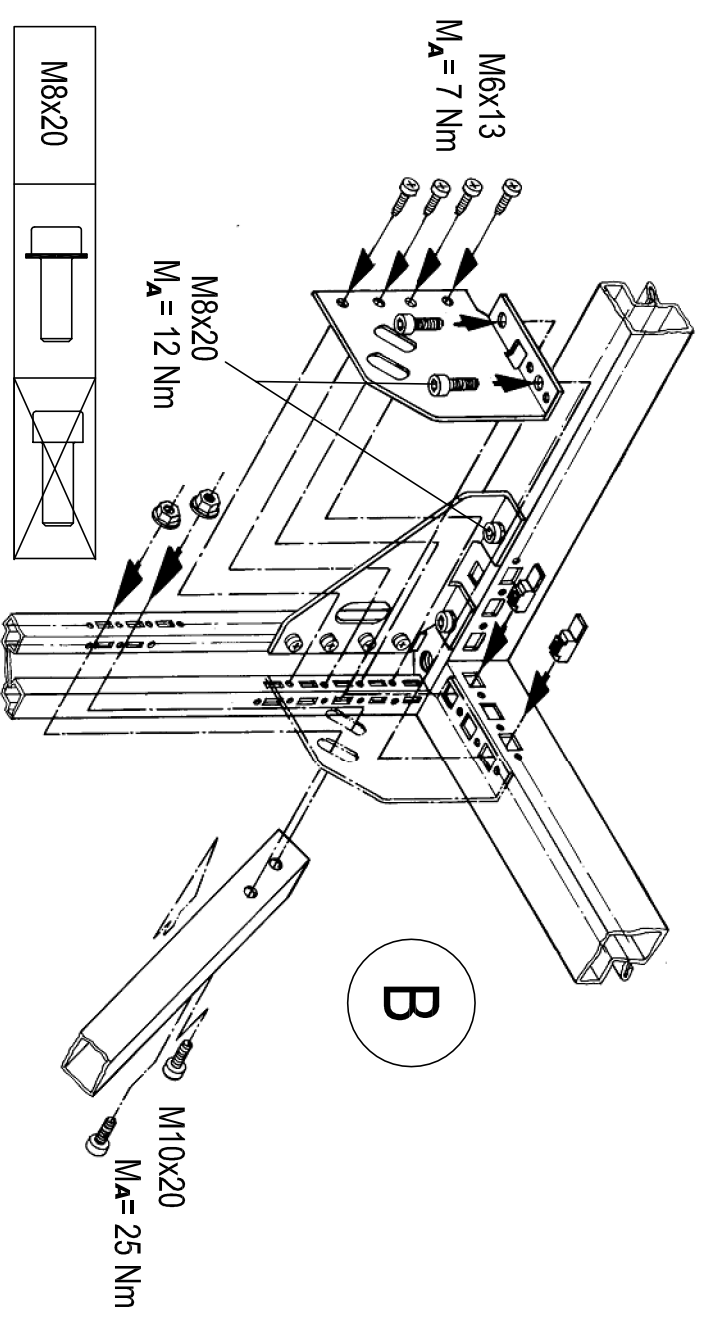
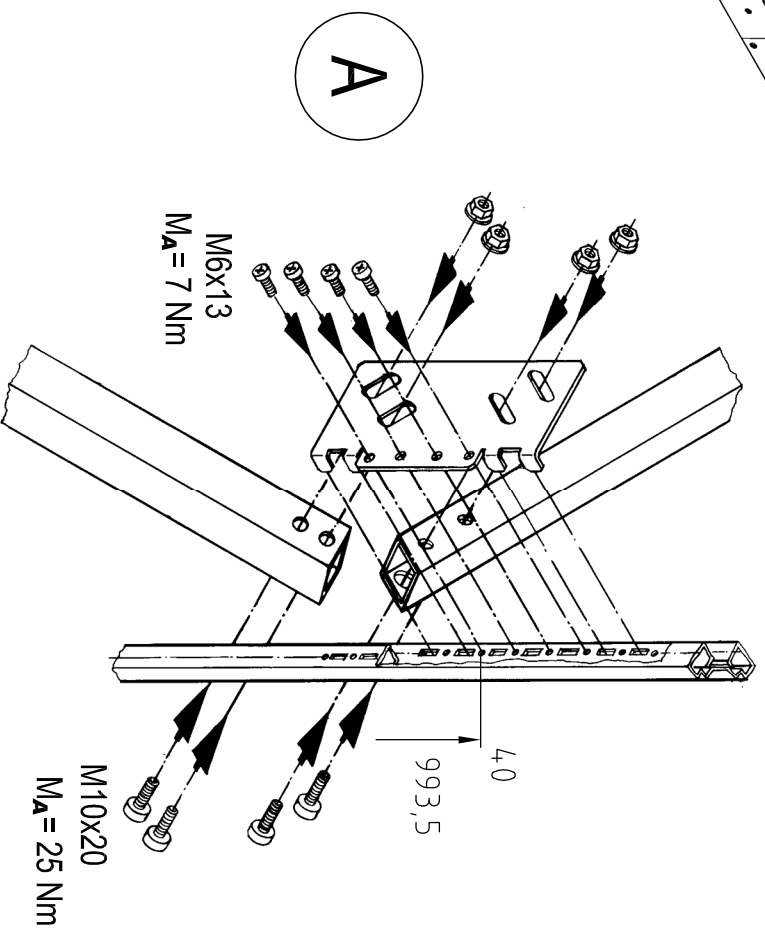
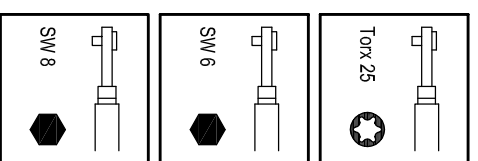
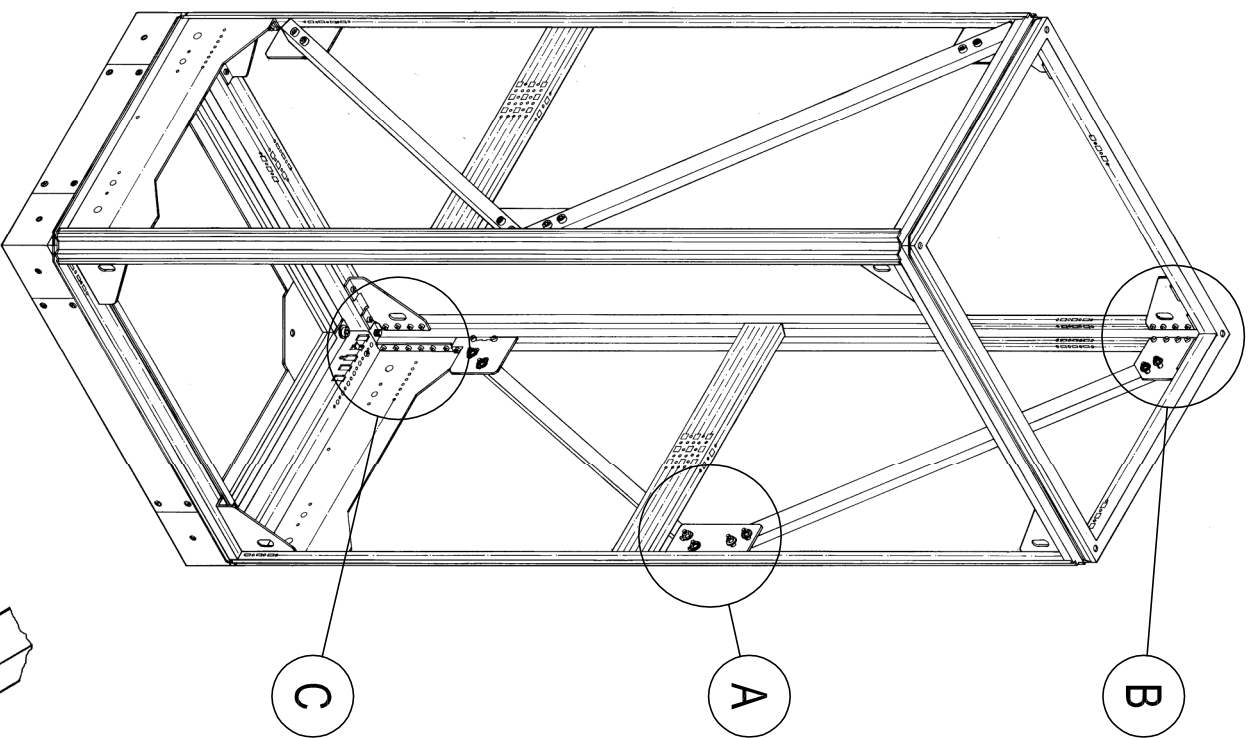
SOFTWARE & SERVICES

FRIEDHELM LOH GROUP

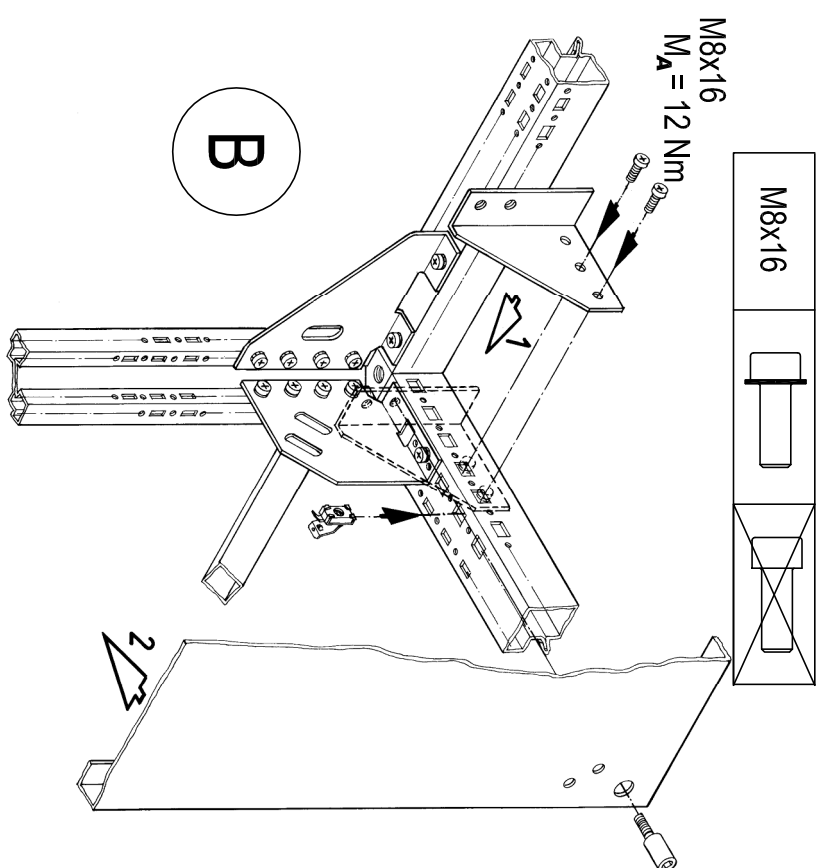
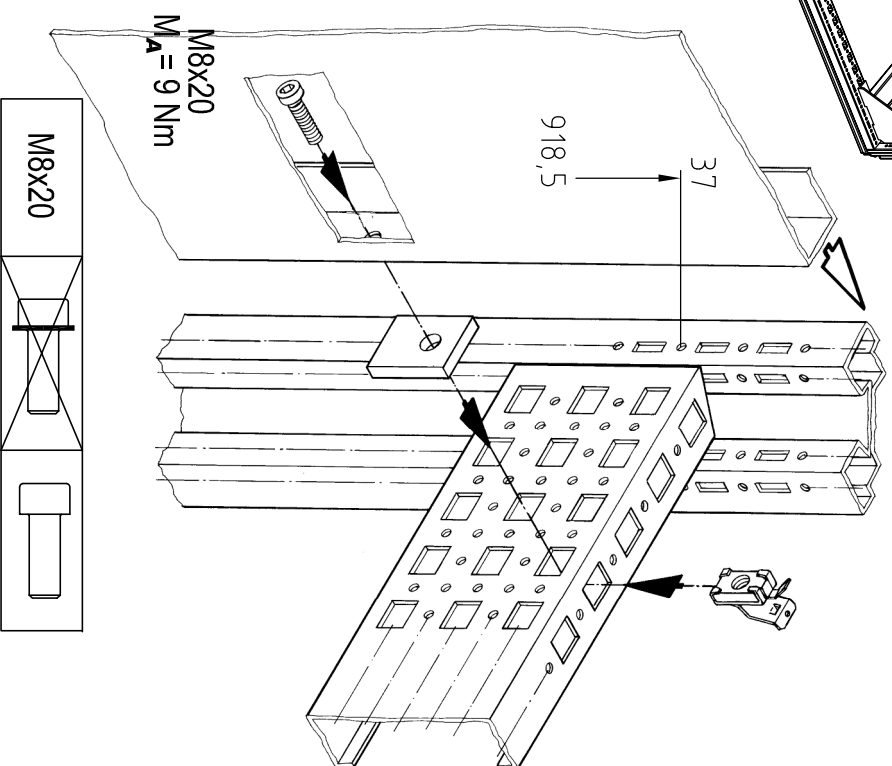
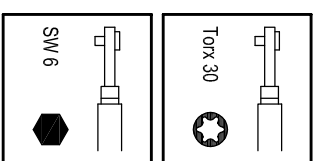
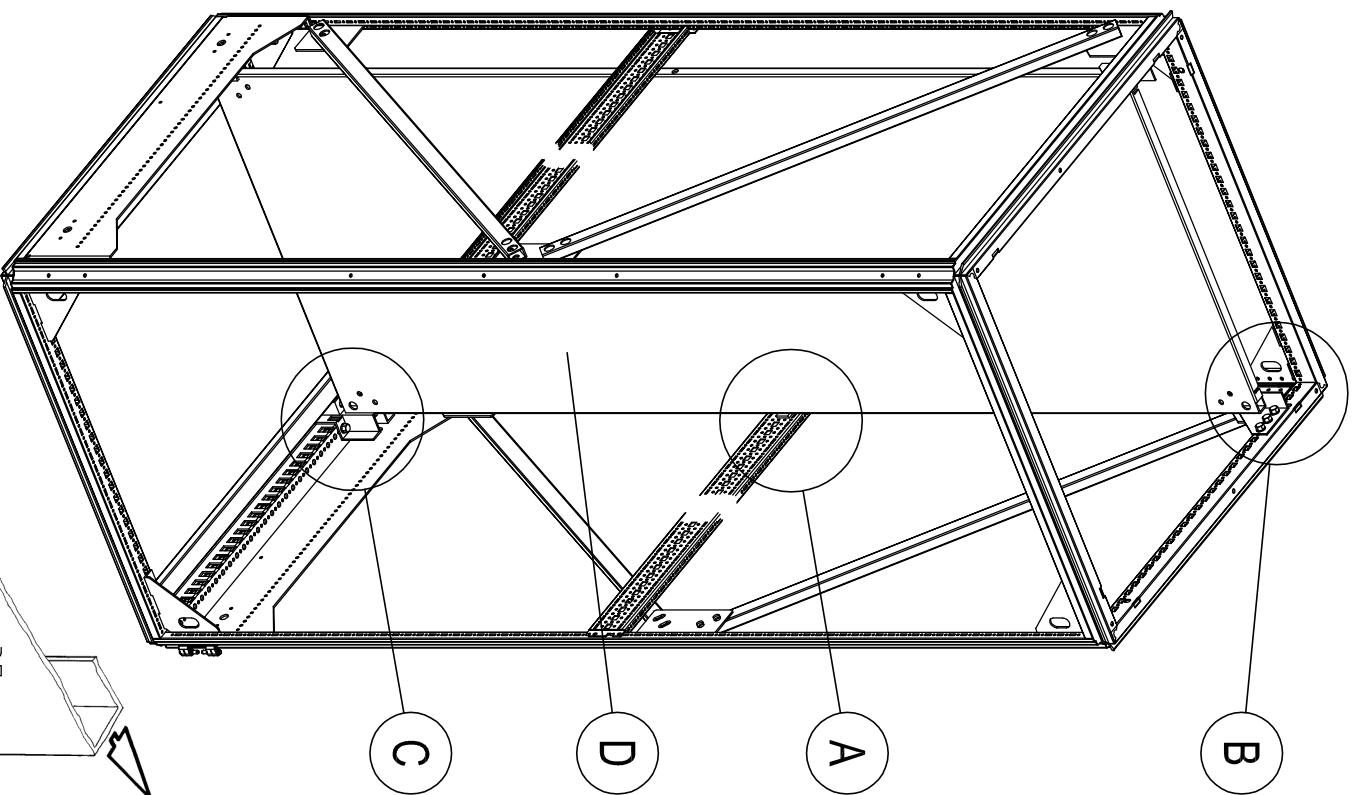


**RITTAL**

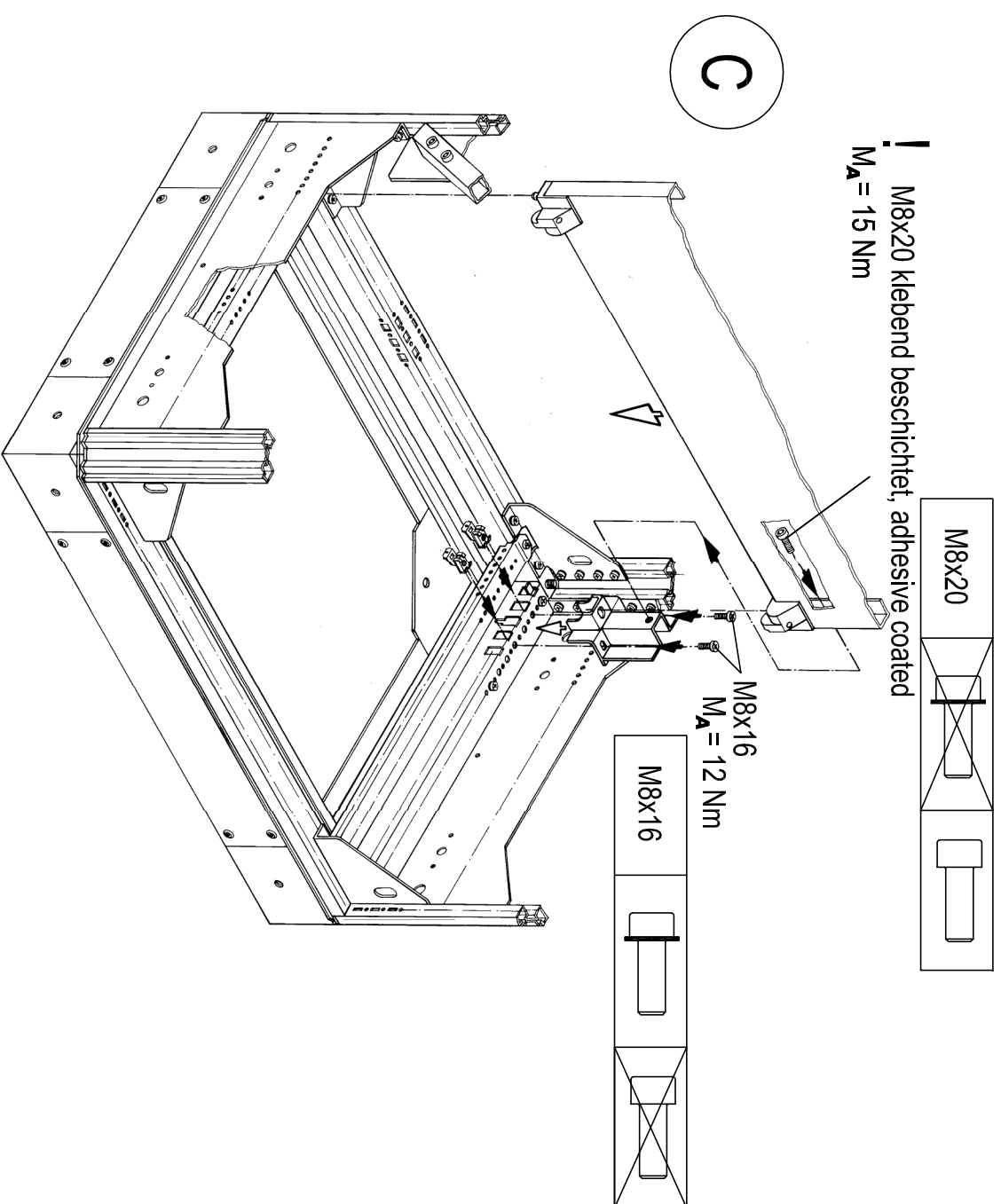


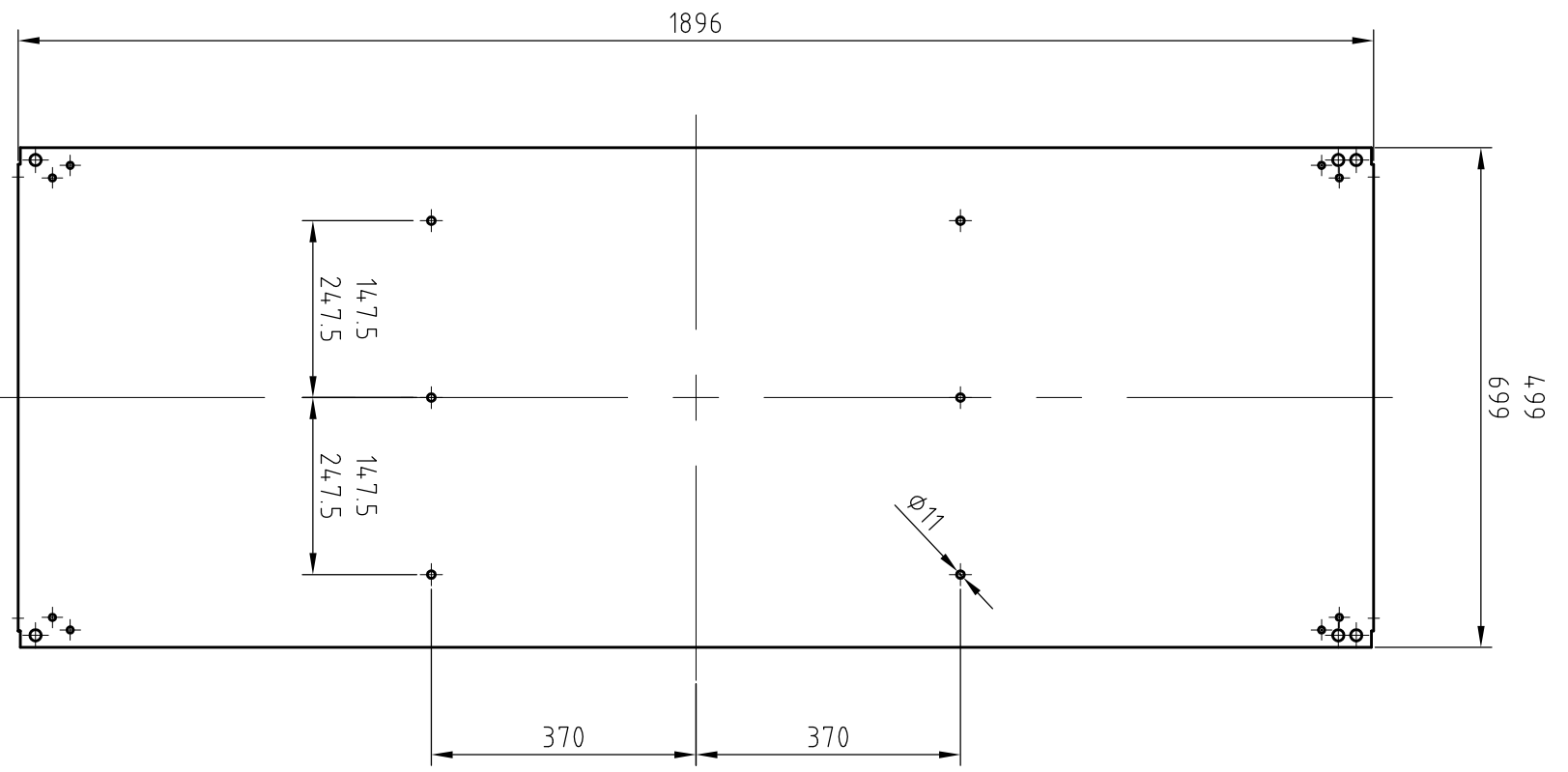


Nach dem Transport sind alle Anzugsdrehmomente am Aufstellungsort erneut zu überprüfen.  
After transportation all tightening torques must be checked again at the final installation location.



! M8x20 klebend beschichtet, adhesive coated  
 $M_A = 15 \text{ Nm}$





D

