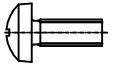


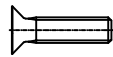


SZ
2537.045

Raum für Verpackungsdatum
Area for date of packing
(MMJJTT / MMYDD)

2x  M5x10

2x  A5,3

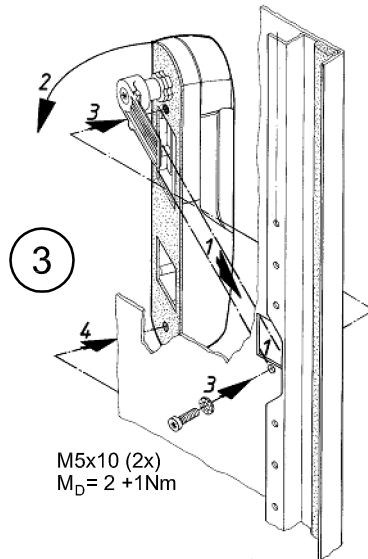
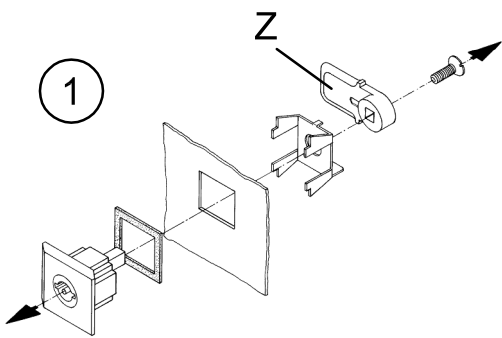
1x  M5x25

1x  1x 

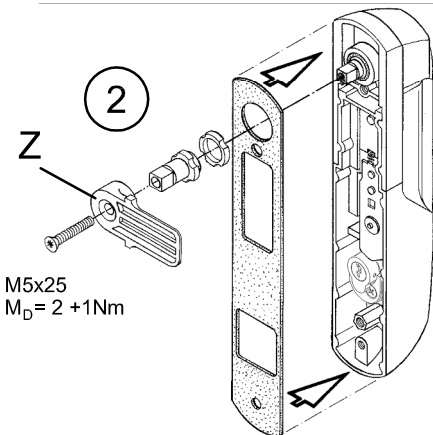
Zchn.-Nr. / No. of dwg. : A05469500SZ

Versandbeutel-Nr. / No. of accessory bag : 394315

Lieferanten-Nr. / No. of supplier :



M5x10 (2x)
 $M_D = 2 + 1Nm$



M5x25
 $M_D = 2 + 1Nm$

