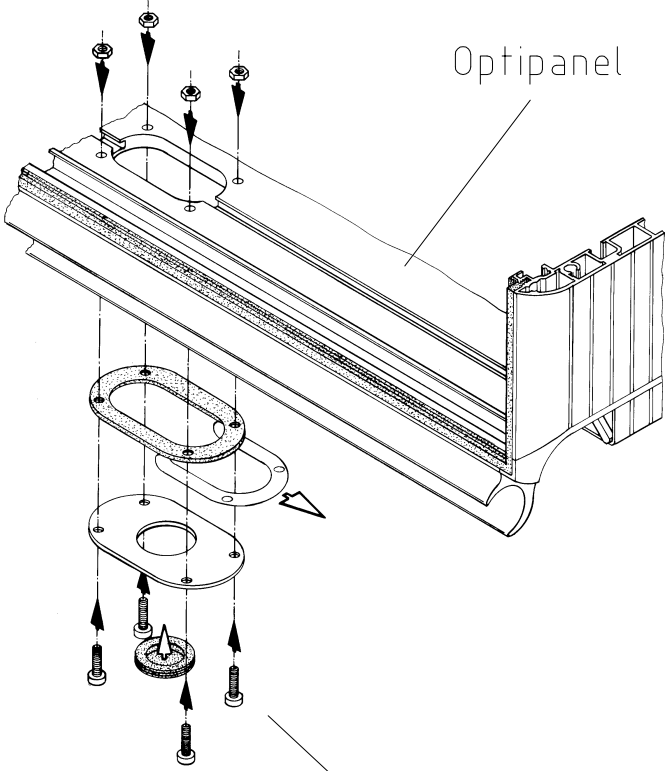


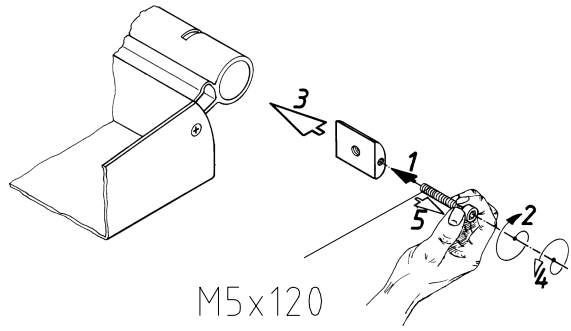
SM
2383.000

Raum für Verpackungsdatum
Area for date of packing
(MMJJTT / MMYDD)

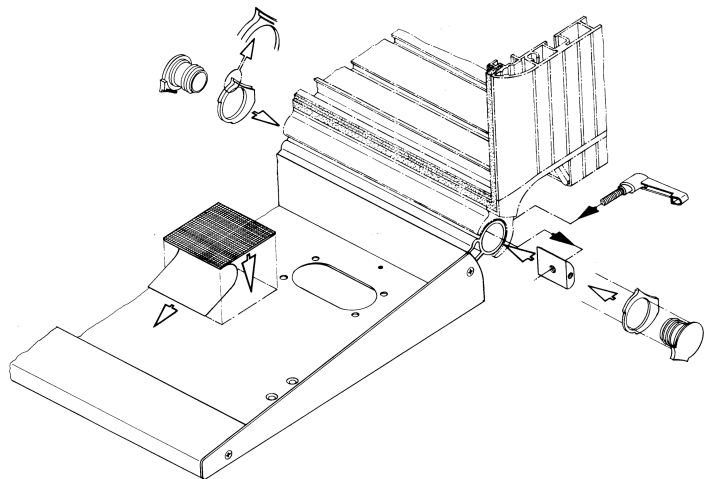
- | | | | | | | | |
|----|--|----|--|----|--|----|--|
| 1x | | 1x | | 1x | | 1x | |
| 4x | | 4x | | 4x | | 2x | |
| 4x | | M5 | | 2x | | 2x | |
| 1x | | | | 2x | | | |
| 2x | | | | 2x | | | |
| 1x | | | | | | | |



Optipanel : M5x20



M5x120

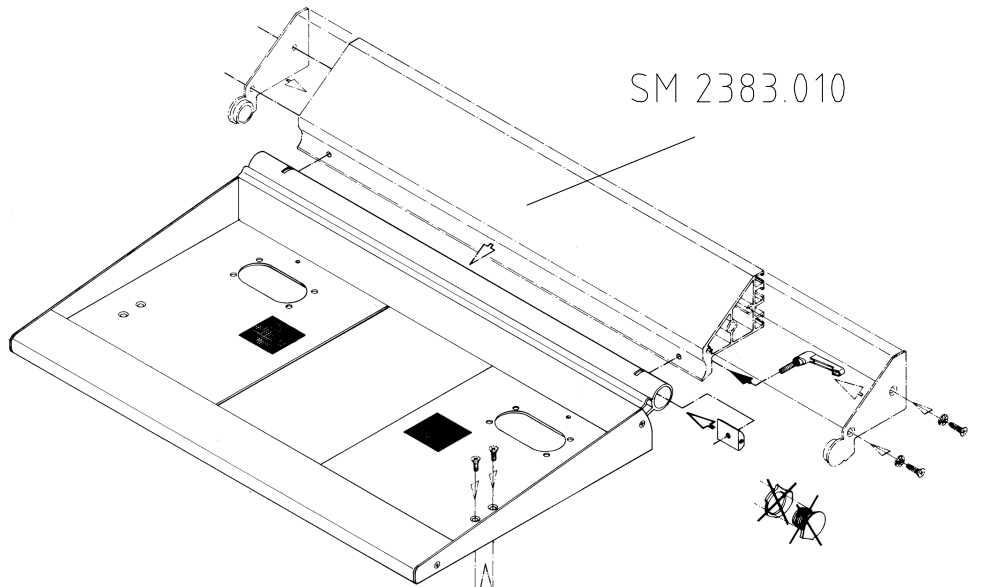


Zchng.-Nr. / No. of dwg. : A2918902SM

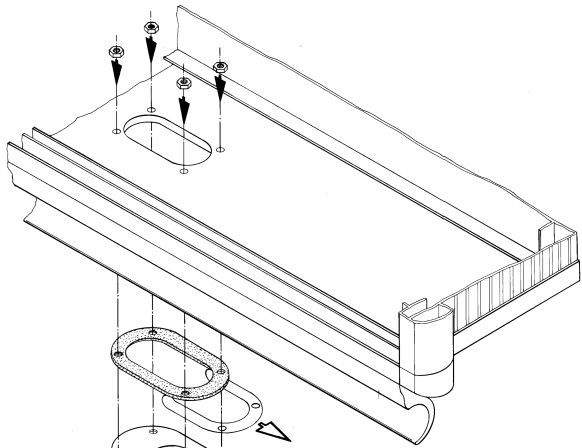
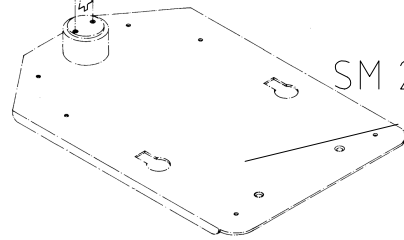
Versandbeutel-Nr. / No. of accessory bag : 288136

Lieferanten-Nr. / No. of supplier :

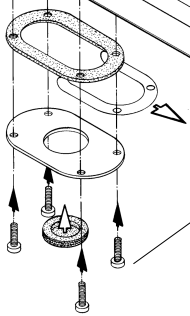
SM 2383.010



SM 2383.020



VIP 6000 : M5x12



VIP 6000

