



TS

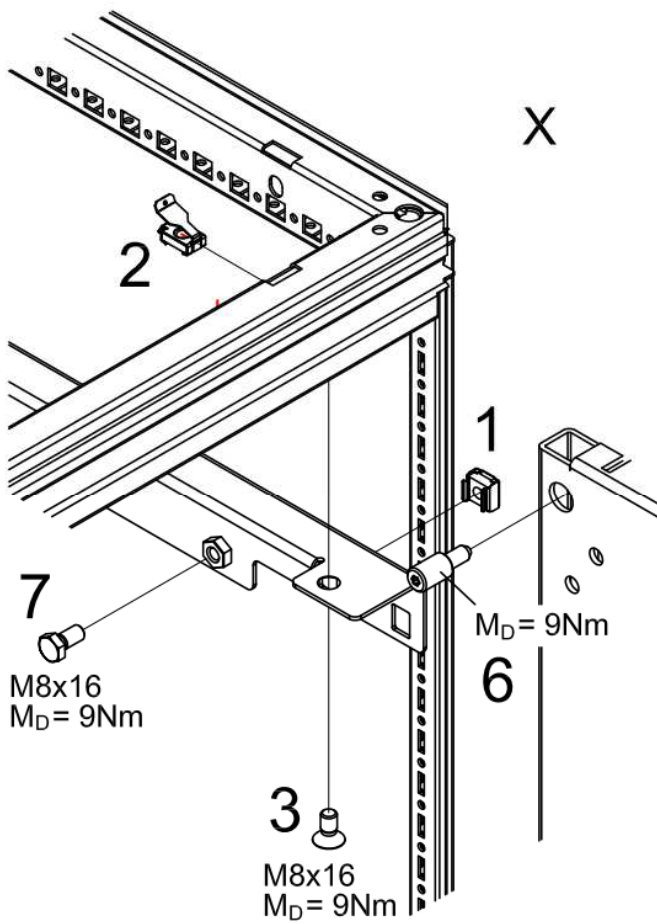
8802.200

8802.220

8802.260

8802.280

Raum für Verpackungsdatum
Area for date of packing
(MMJJTT / MMYDD)



- | | | |
|----|--|-------|
| 4x | | M8 |
| 2x | | M8 |
| 4x | | M8x16 |
| 4x | | M8x16 |
| 2x | | |

Zchng.-Nr. / No. of dwg. : A3405000TS

Versandbeutel-Nr. / No. of accessory bag : 295592

Lieferanten-Nr. / No. of supplier :

