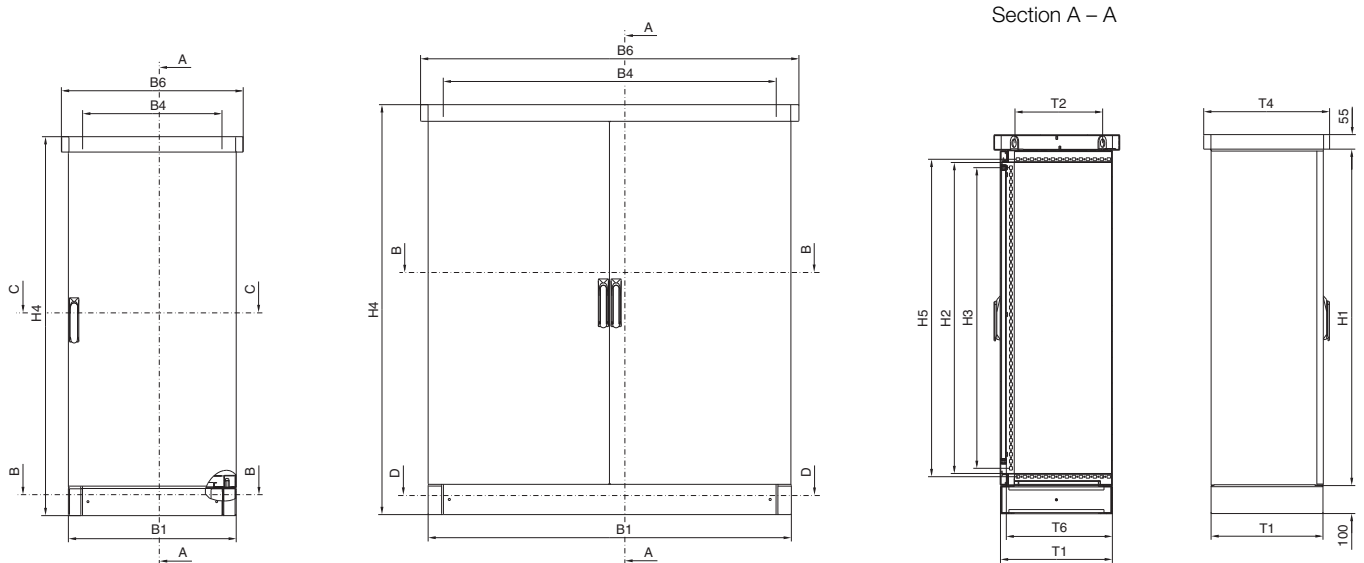
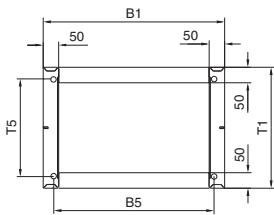


Outdoor enclosures

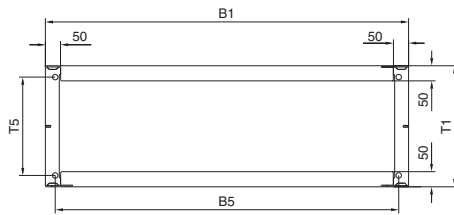
CS New Basic enclosures



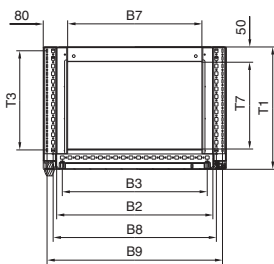
Section B – B



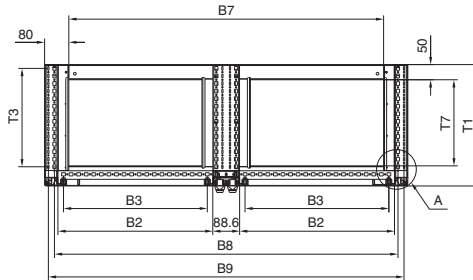
Section D – D



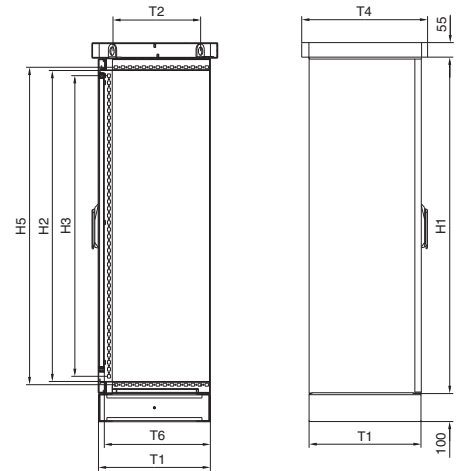
Section C – C



Section B – B



Section A – A



- B1 = Width of basic enclosure/
standard base/plinth
- B2 = Clearance of enclosure frame
- B3 = Section length of system punchings
- B4 = Centre-to-centre distance between
eyebolts
- B5 = Hole distance base/plinth –
base mount
- B6 = Width of roof (overall width)
- B7 = Clearance of standard base/plinth
opening
- B8 = System punchings
- B9 = System punchings
- H1 = Height of basic enclosure
- H2 = Clearance of enclosure frame
- H3 = Section length of system punchings
- H4 = Overall height
- H5 = System punchings
- T1 = Depth of basic enclosure/
standard base/plinth
- T2 = Centre-to-centre distance between
eyebolts
- T3 = Section length of system punchings
- T4 = Roof depth (overall depth)
- T5 = Hole distance base/plinth –
base mount
- T6 = Maximum mounting depth
- T7 = Clearance of standard base/plinth
opening

- B4 = Hole distance base/plinth –
base mount
- B7 = System punchings

Enclosure Model No. CS	Width dimensions mm									Height dimensions mm					Depth dimensions mm						
	B1	B2	B3	B4	B5	B6	B7	B8	B9	H1	H2	H3	H4	H5	T1	T2	T3	T4	T5	T6	T7
9783.530	600	512	475	498	535	650	440	535	575	1200	1112	1075	1355	1135	500	413	425	550	425	476	384.5
9783.610	800	712	675	698	735	850	640	735	775	1200	1112	1075	1355	1135	500	413	425	550	425	476	384.5
9784.540	1200	512	475	1198	1135	1250	1040	1135	1175	1200	1112	1075	1355	1135	500	413	425	550	425	476	384.5