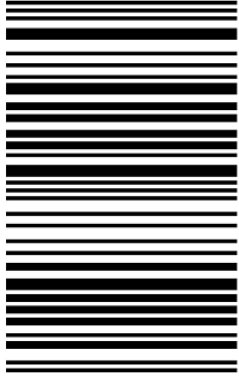




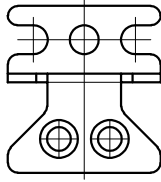
SZ

2433.000

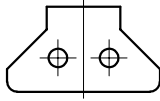


4028177022980

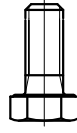
4X



4X



4X



M8x16

4X



B 8

4X

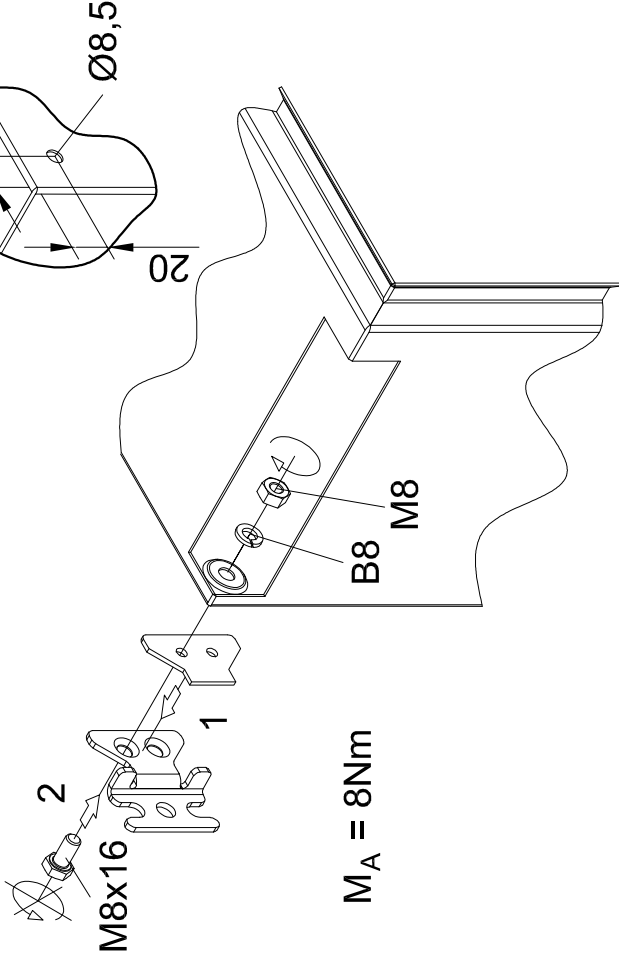


M8

Zchng.-Nr. / No. of dwg. : A0235805SZ

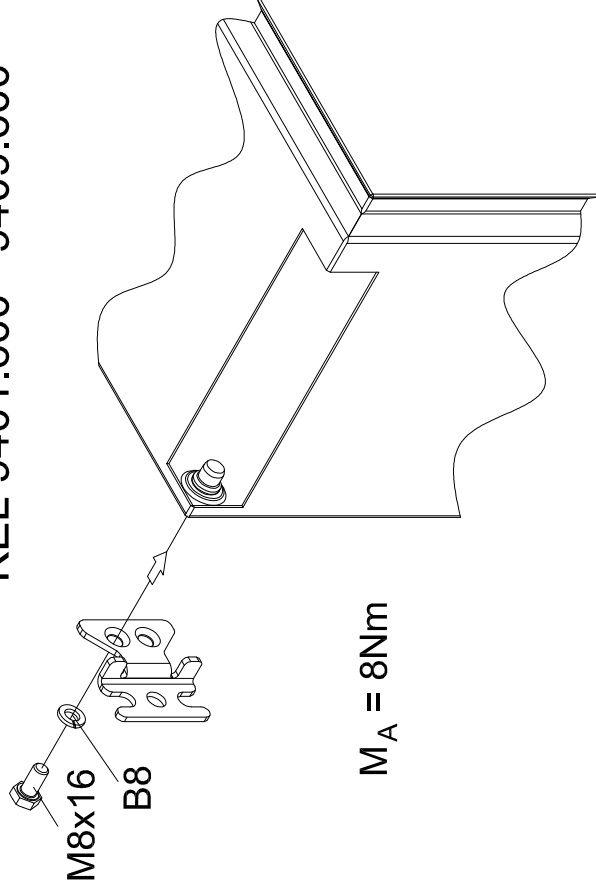
Made in xxx
Lieferanten-Nr. / No. of supplier :

AE 1002.600 - 1019.600



$M_A = 8Nm$

KEL 9401.600 - 9409.600



$M_A = 8Nm$