

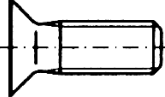


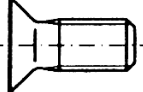
TS


○ 8800.010

○ 8800.110

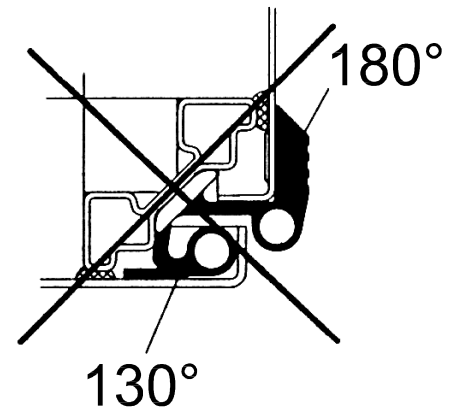
Raum für Verpackungsdatum  
Area for date of packing  
(MMJJTT / MMYDD)

6x  M6x12

6x  M6x8

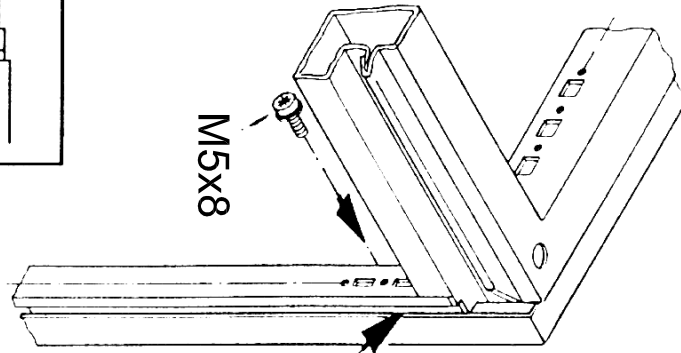
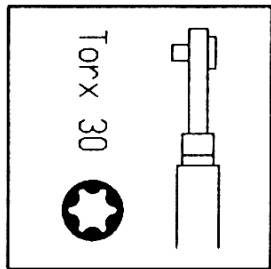
12x 

6x  M5x8

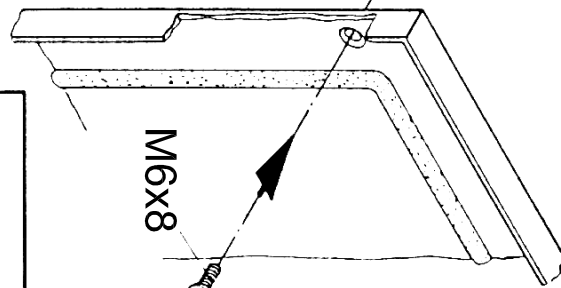
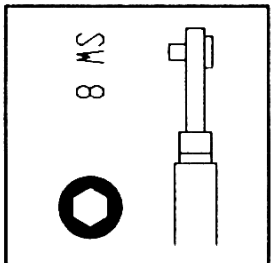
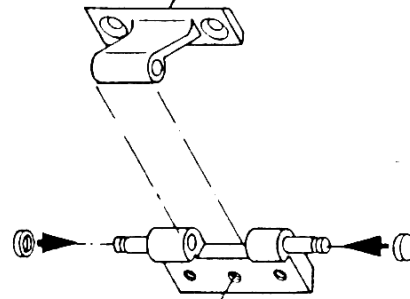


Zchng.-Nr. / No. of dwg. : A2220603TS  
Versandbeutel-Nr. / No. of accessory bag : -

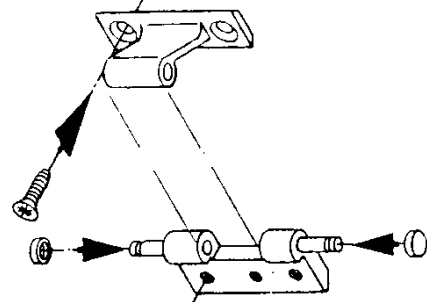
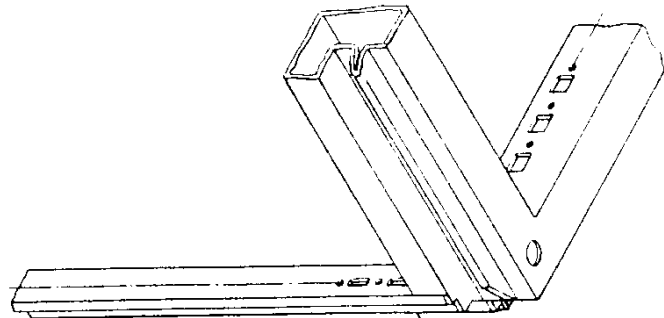
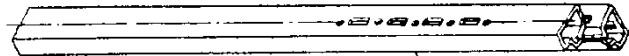
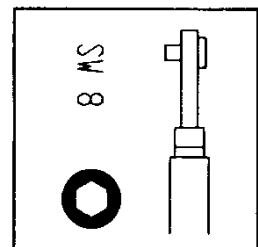
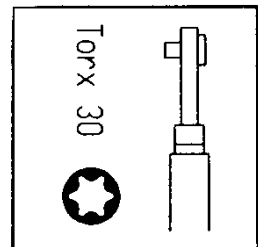
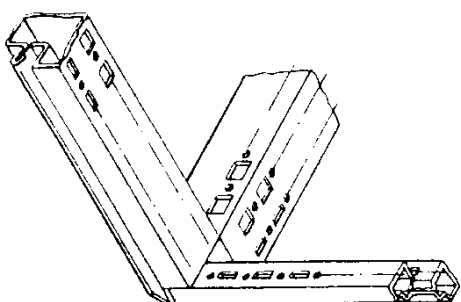
Lieferanten-Nr. / No. of supplier :



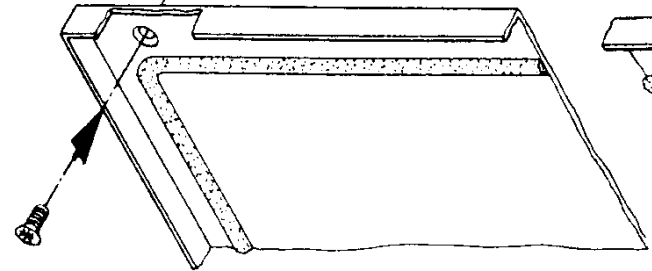
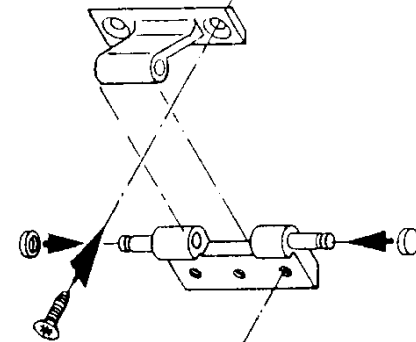
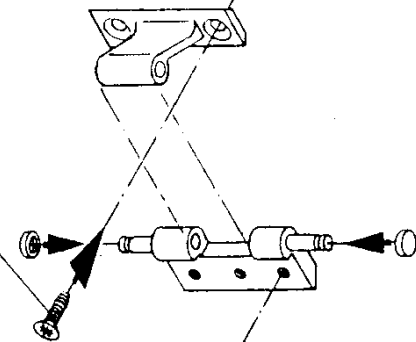
M5x8



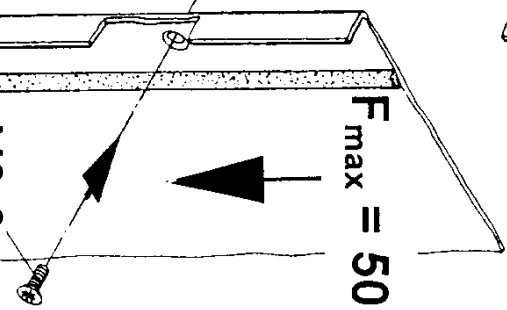
M6x8



M6x12



M6x8



$F_{max} = 50N$

