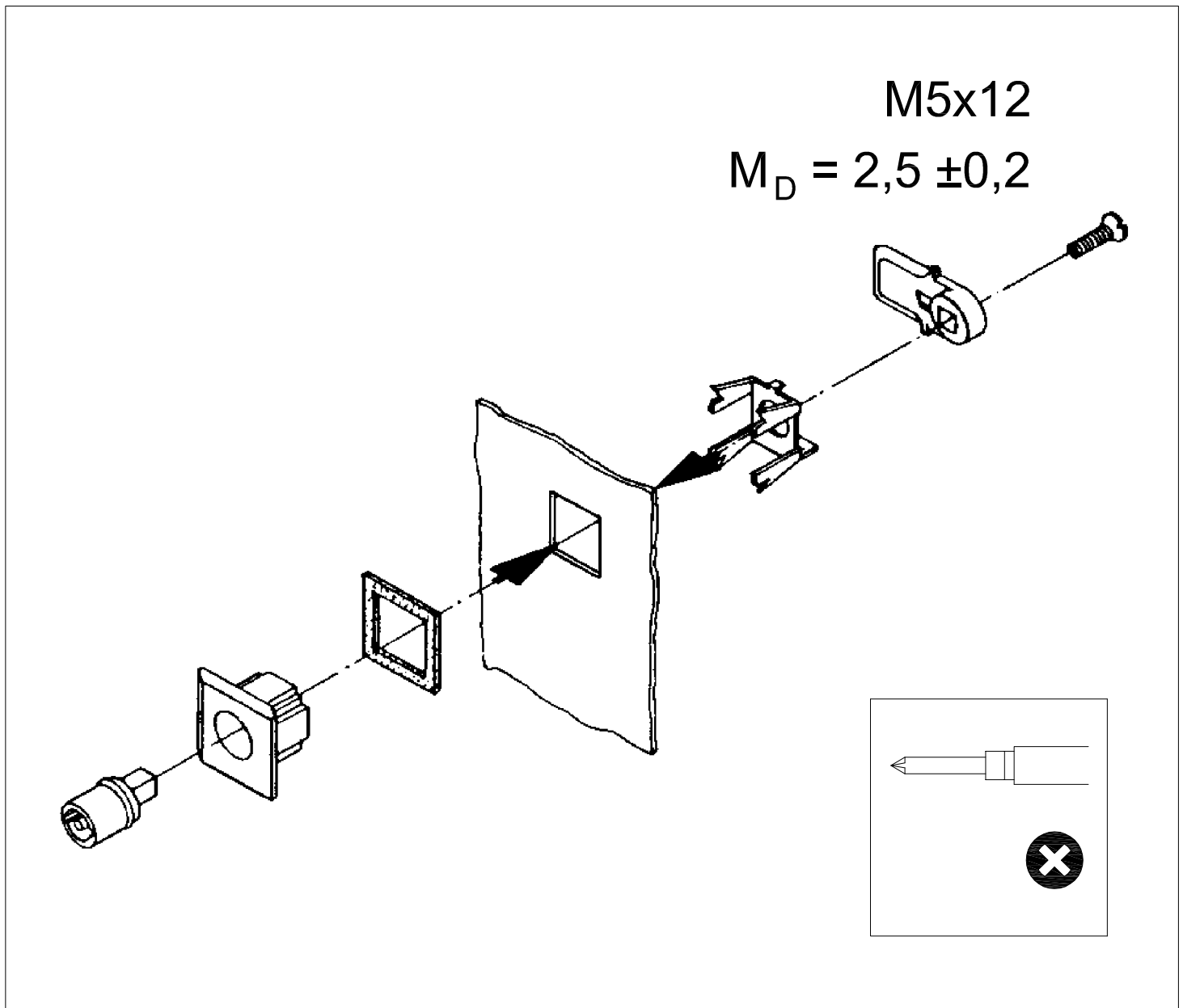




SZ  
2420.000



Zchnng.-Nr. / No. of dwg. : A0047001SZ  
Versandbeutel-Nr. / No. of accessory bag : -

Lieferanten-Nr. / No. of supplier :