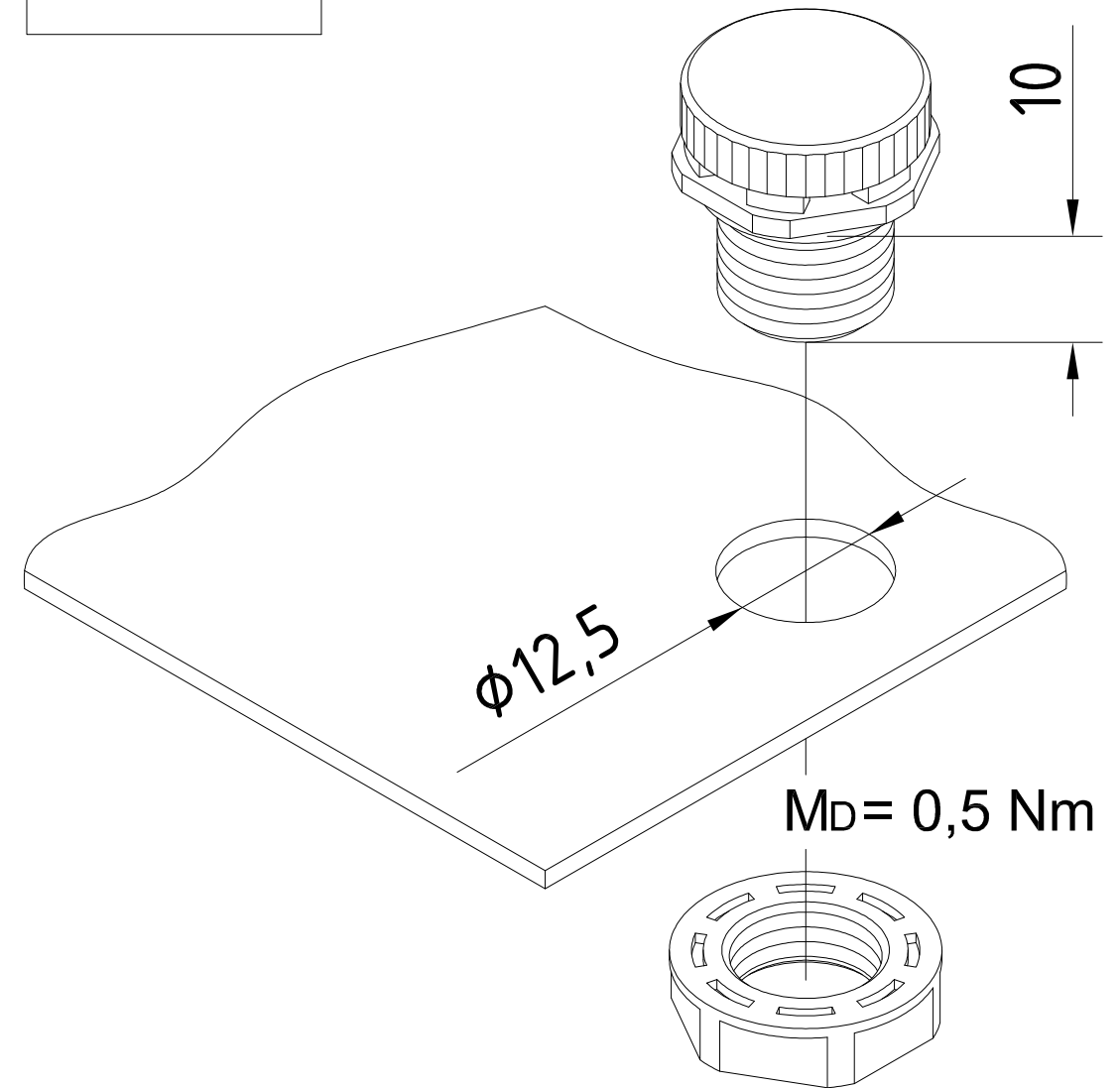
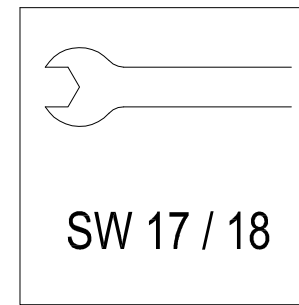
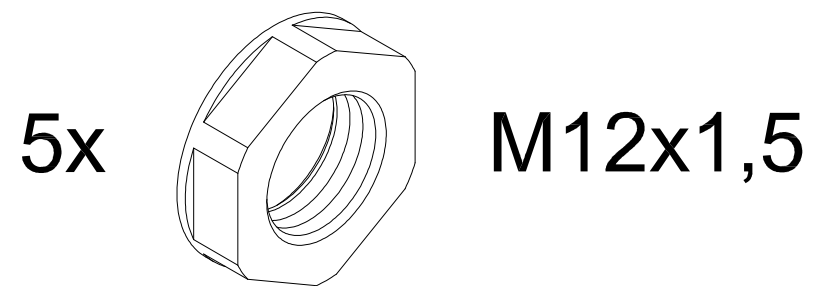
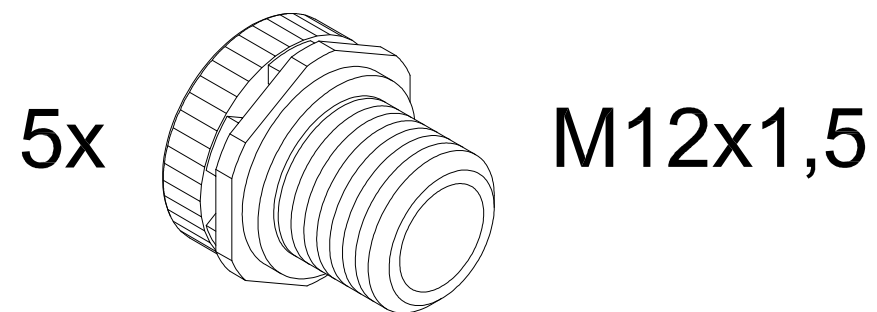




SZ
2459.500



-40°C - +120°C
 $\Delta p_{70\text{mbar}} = 120 \text{ l/h}$