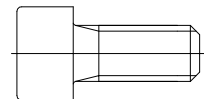




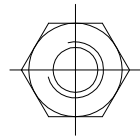
SO
2859.000

8x



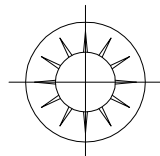
M12x25

4x



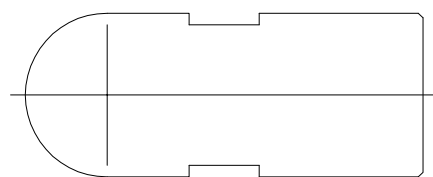
M12

8x

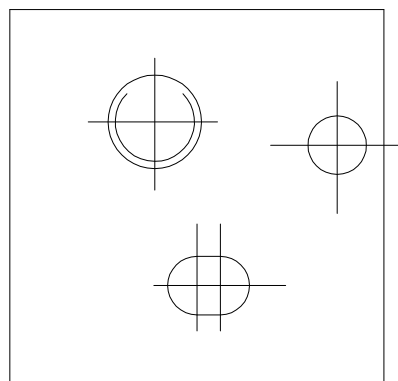


J12,5

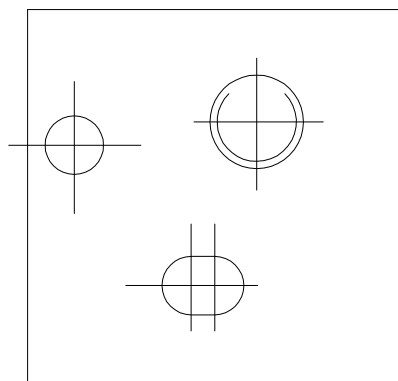
4x



2x



2x



Zchnng.-Nr. / No. of dwg. : A2397701SO
Versandbeutel-Nr. / No. of accessory bag : -

Lieferanten-Nr. / No. of supplier :

