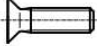






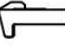
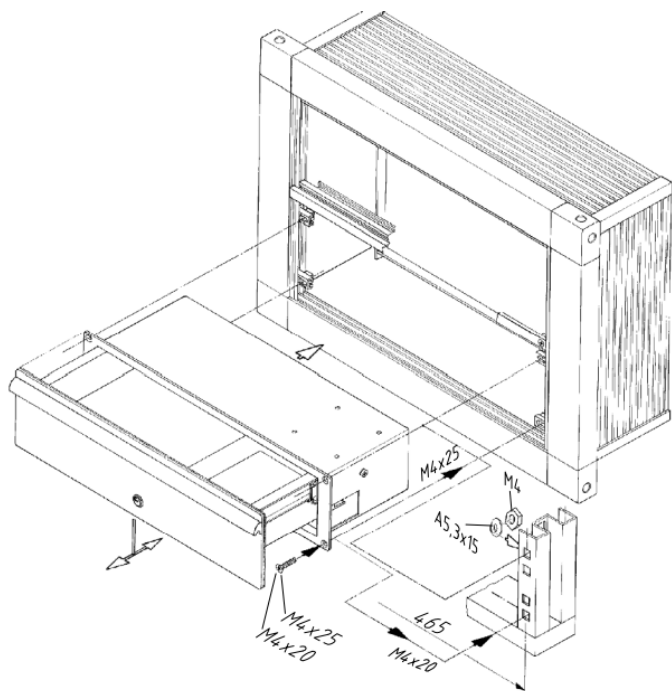


CP  
6002.000

Raum für Verpackungsdatum  
Area for date of packing  
(MMJJTT / MMYDD)

- 4x  M4x20
- 4x  M4x25
- 4x  A5,3x15
- 4x  4x 
- 4x  M4 2x 
- 4x 

Zchng.-Nr. / No. of dwg. : A3446800CP  
Versandbeutel-Nr. / No. of accessory bag : 273917 Lieferant-Nr. / No. of supplier :



VIP, Optipanel



Comfortpanel

