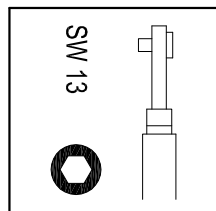


T = 400  
 T = 600  
 ⇐ 500  
 ⇐ 800

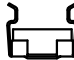



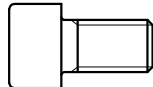
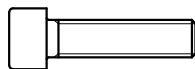



TS

8601.450

8601.680

Raum für Verpackungsdatum  
 Area for date of packing  
 (MMJJTT / MMYDD)

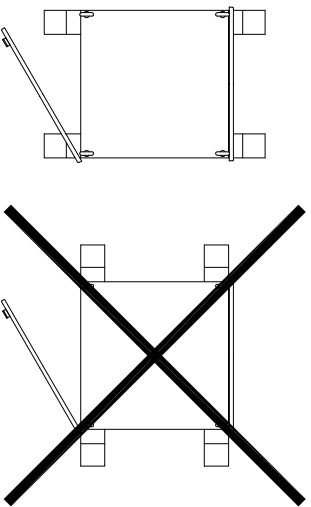
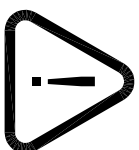
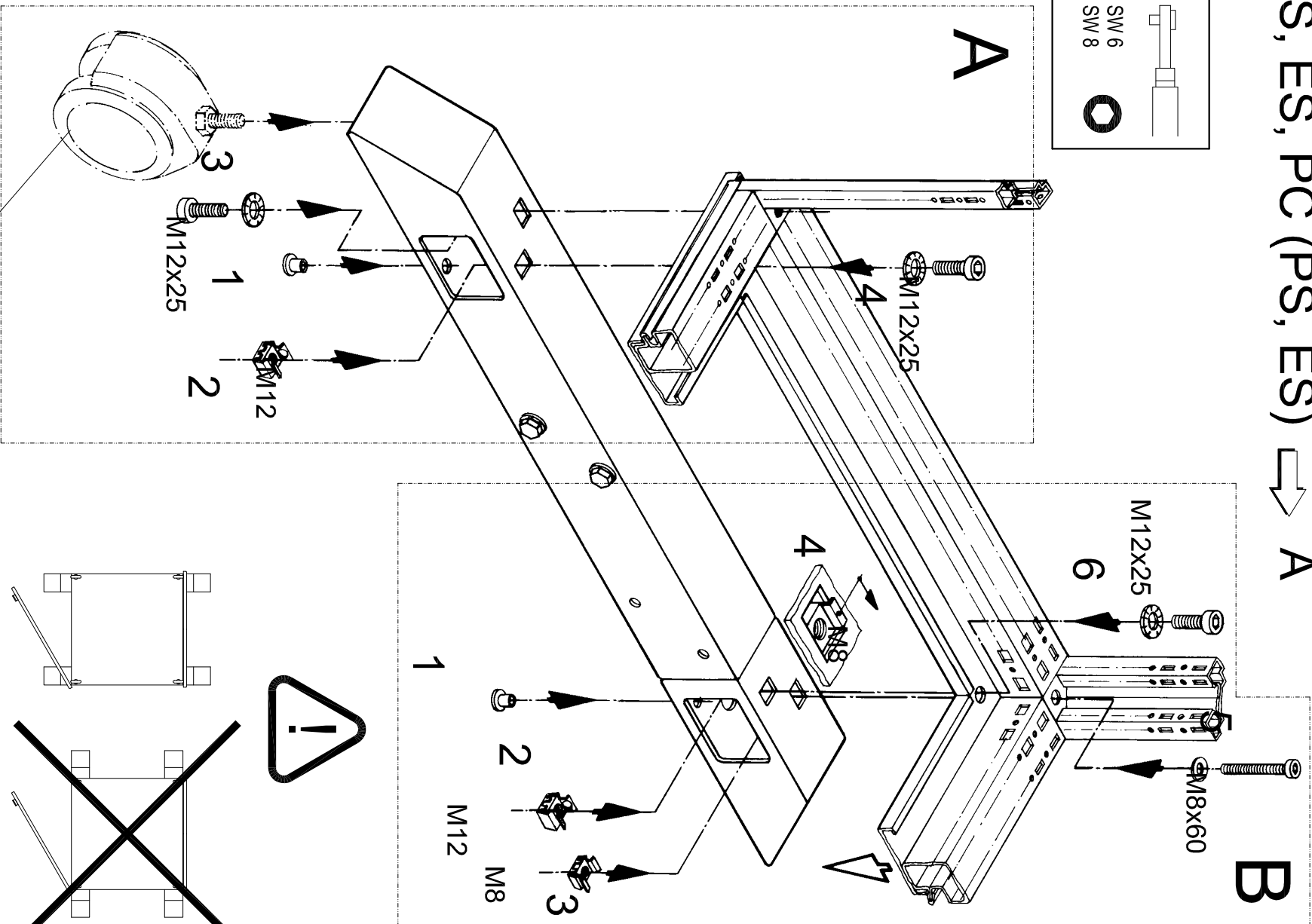
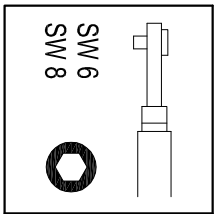
4x		M12
4x		M8
8x		A12.5
4x		A8.4
8x		M12x25
4x		M8x60
4x		

Zchnng.-Nr. / No. of dwg. : A2972902TS

Versandbeutel-Nr. / No. of accessory bag : 289886

Lieferanten-Nr. / No. of supplier :

TS, IW, PC (TS) ⇔ A oder/or B  
PS, ES, PC (PS, ES) ⇔ A



DK 7495.000, CP 6148.000, PS 4612.000