

The reproduction, distribution and utilization of this document as well as the communication of its contents to others without explicit authorization is prohibited. Offenders will be held liable for the payment of damages. All rights reserved in the event of the grant of a patent. Jüritly mceel or design.

A B C D E F G H I J

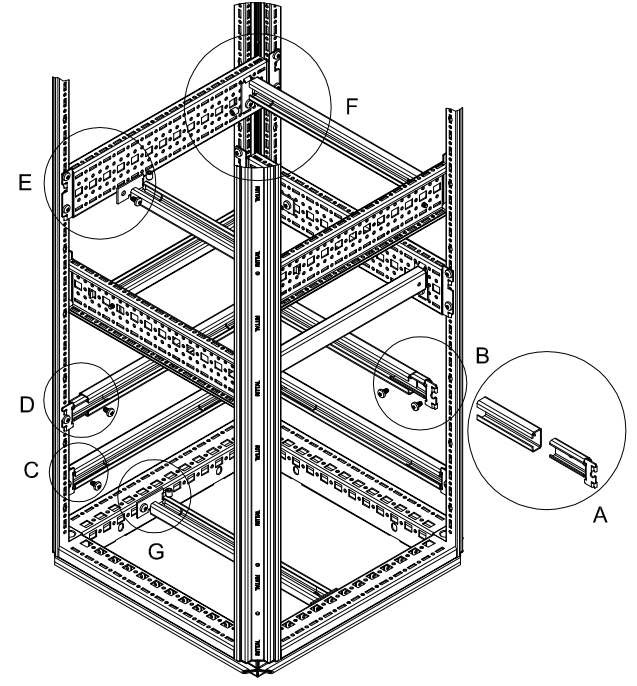
Vorderseite / Front side



Bitte für Verpackungszwecke
Area for date of packing
(DATE OF PACKING)

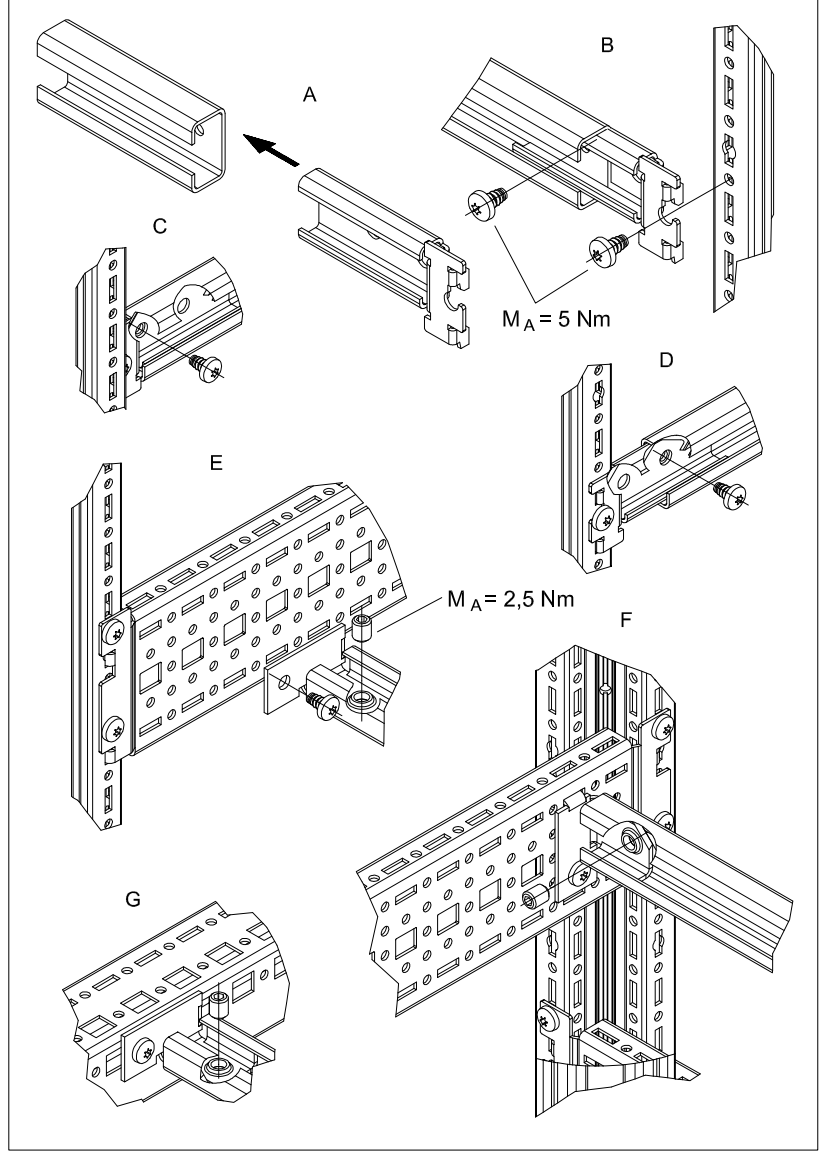
DK
7828.040
7828.050
7828.060
7828.080
7828.100
7828.120

- 16x 5,5 x 9,5
- 8x M 8 x 10



Zehung-Nr. / No. of dwg.: A0990600DK
Verpackungs-Nr. / No. of accessory bag: 281437
Ident-Nr. / Part No.: 251435
Lieferanten-Nr. / No. of supplier:

Rückseite / Rear side



A B C D E F G H I J