



SV
9345.005



Raum für Verpackungsdatum
Area for date of packing
(MMJJTT / MMYDD)

4 Fuseholder Class CC 30A
für Tragschienenmontage

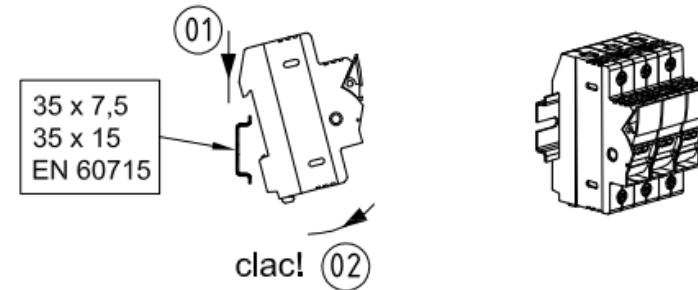
4 Fuseholder Class CC 30A
for mounting on support rails

4 Support de fusible Class CC 30A
pour montage sur rails porteurs

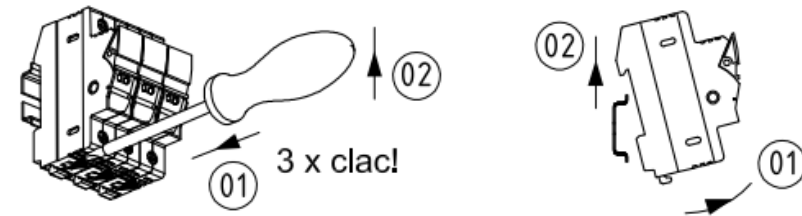
Zchn.-Nr. / No. of dwg. : A06353700SV
Versandbeutel-Nr. / No. of accessory bag : -

Lieferanten-Nr. / No. of supplier :

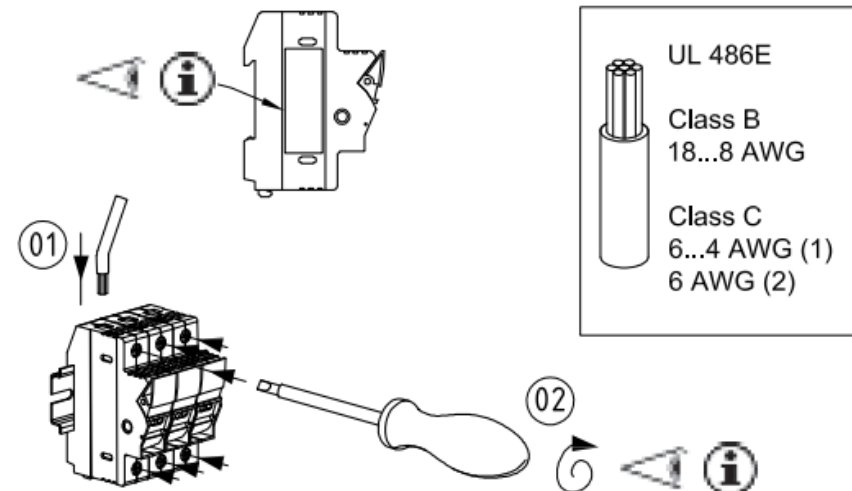
Montage / Assembly / Montage



Demontage / Disassembly / Démontage



Anschluss / Connection / Raccordement





Fuseholder SV 9345.005

