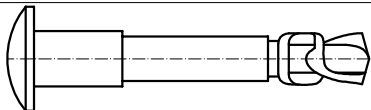
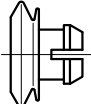
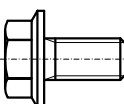
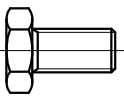
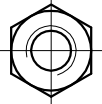
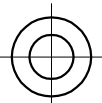
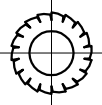



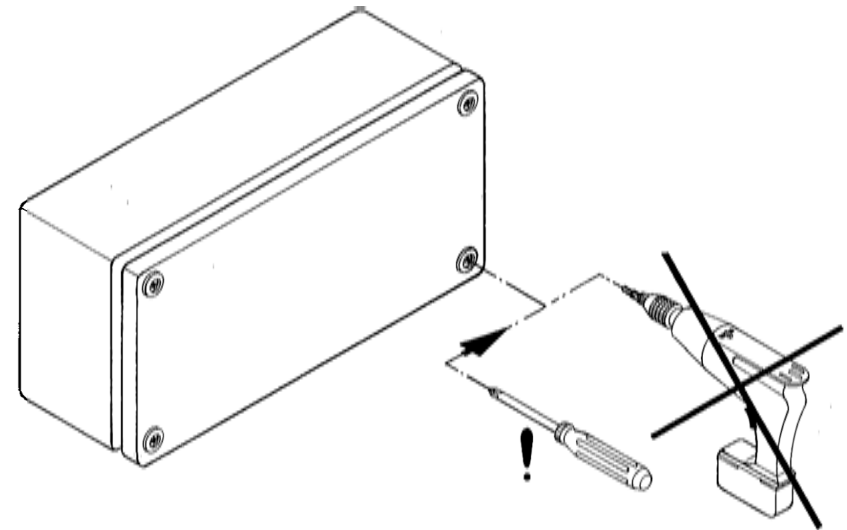
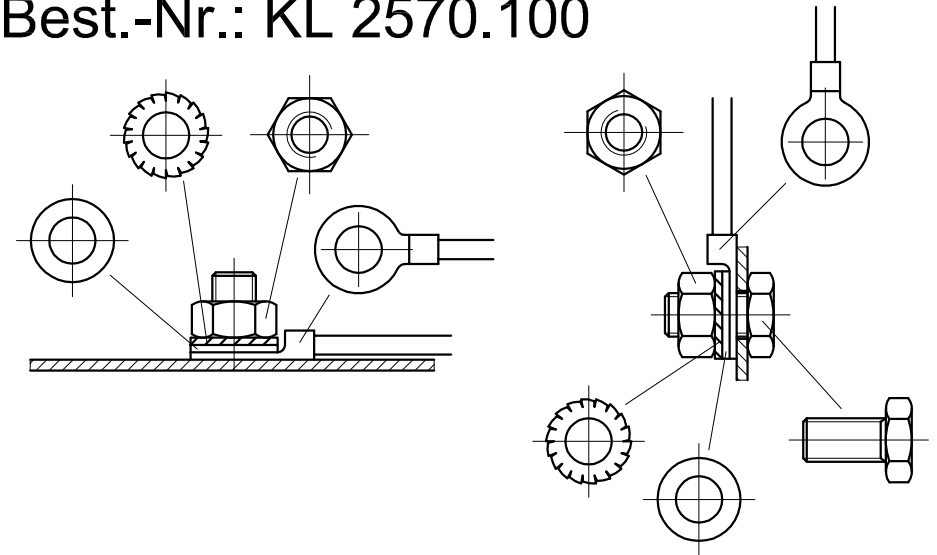


KL

- 1523.010 1527.010
- 1524.010 1528.010
- 1525.010 1529.010
- 1526.010 1530.010

- 4x  M5 x 33
- 4x 
- 4x  M5 x 10
- 1x  M6 x 12
- 2x  M6
- 2x  Ø6,4
- 2x  A6,4
- 2x 

Best.-Nr.: KL 2570.100



Weitere Dokumentation: www.rittal.de
Further documentation: www.rittal.com
Rittal GmbH & Co. KG - Postfach 1662 - 35726 Herborn

Zchnng.-Nr. / No. of dwg. : A3490303KL

Versandbeutel-Nr. / No. of accessory bag : 295960

Lieferanten-Nr. / No. of supplier :