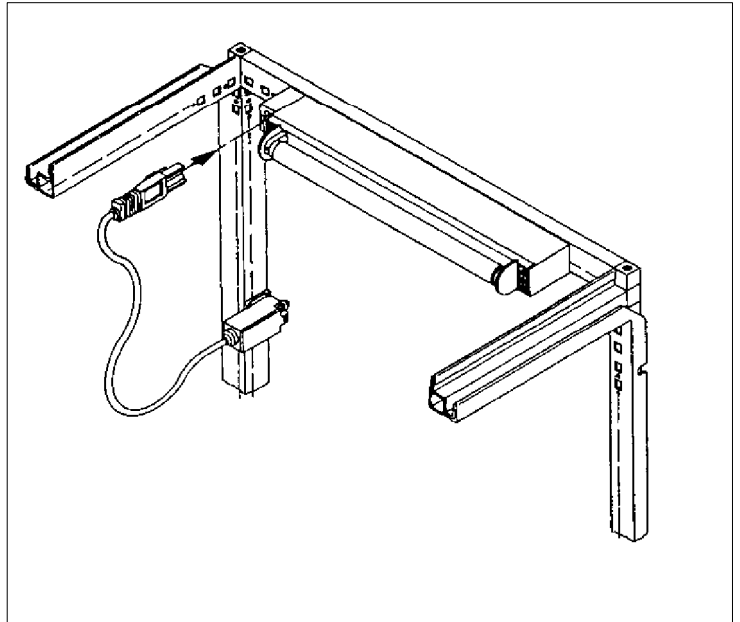




SZ

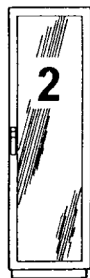
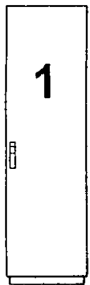
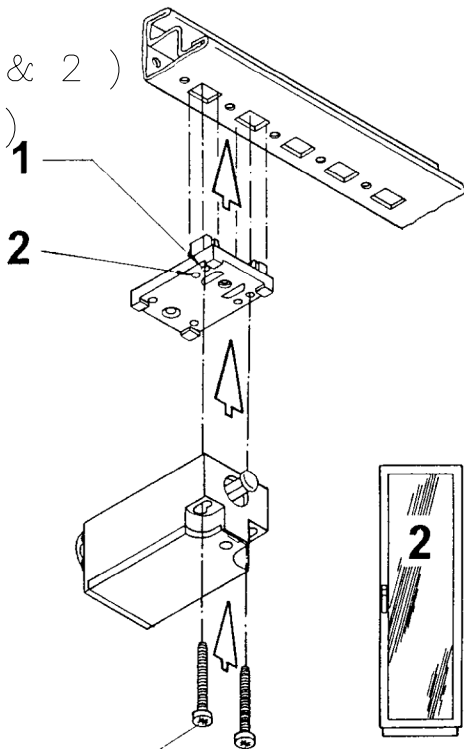
4315.320  
 4315.330  
 4315.350  
 4315.520  
 4315.530  
 4315.550



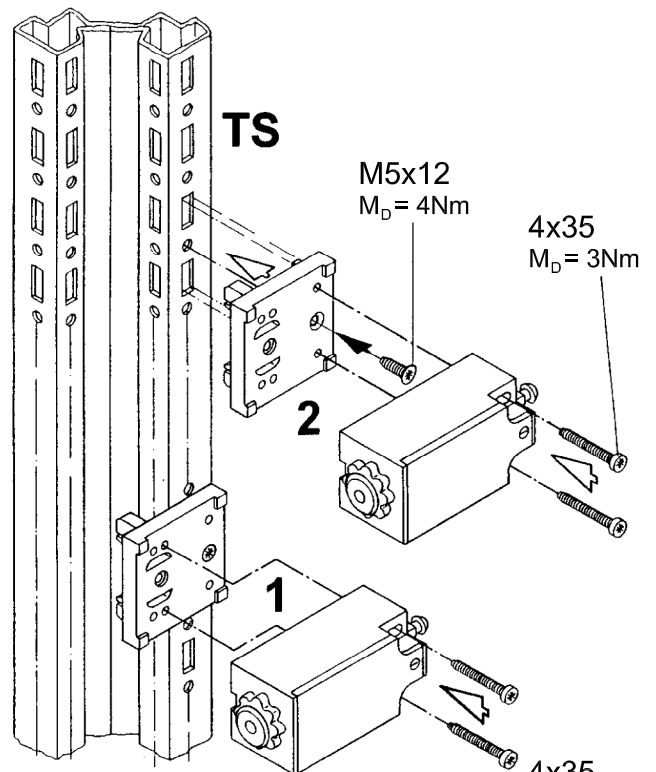
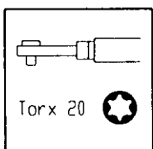
Zchng.-Nr. / No. of dwg. : A3669501SZ  
 Versandbeutel-Nr. / No. of accessory bag : -

Lieferanten-Nr. / No. of supplier :

PS ( 1 & 2 )  
 TS ( 1 )



4x35  
 $M_D = 3Nm$



TS

M5x12  
 $M_D = 4Nm$

4x35  
 $M_D = 3Nm$

2

1

4x35  
 $M_D = 2Nm$

