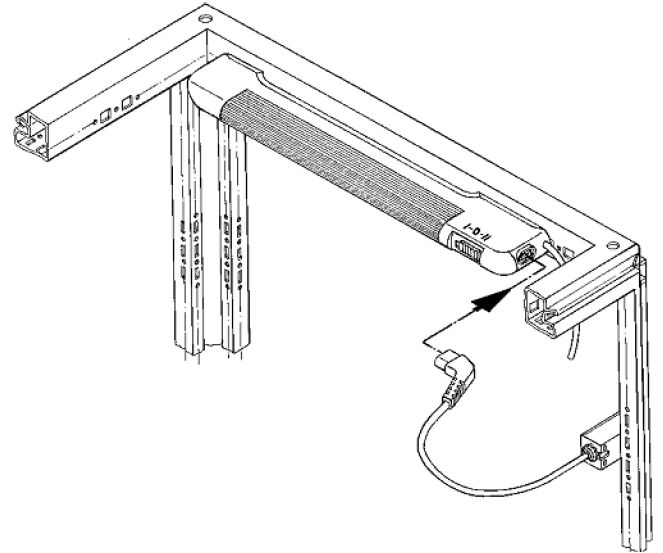




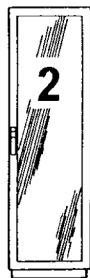
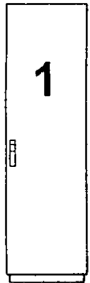
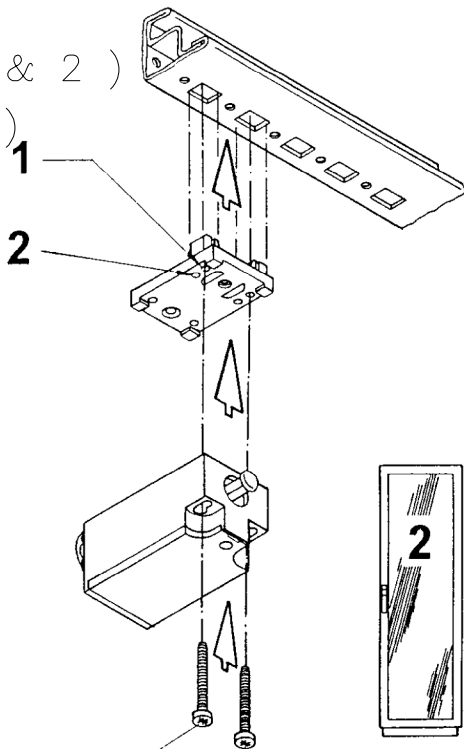
SZ
4315.710
4315.720



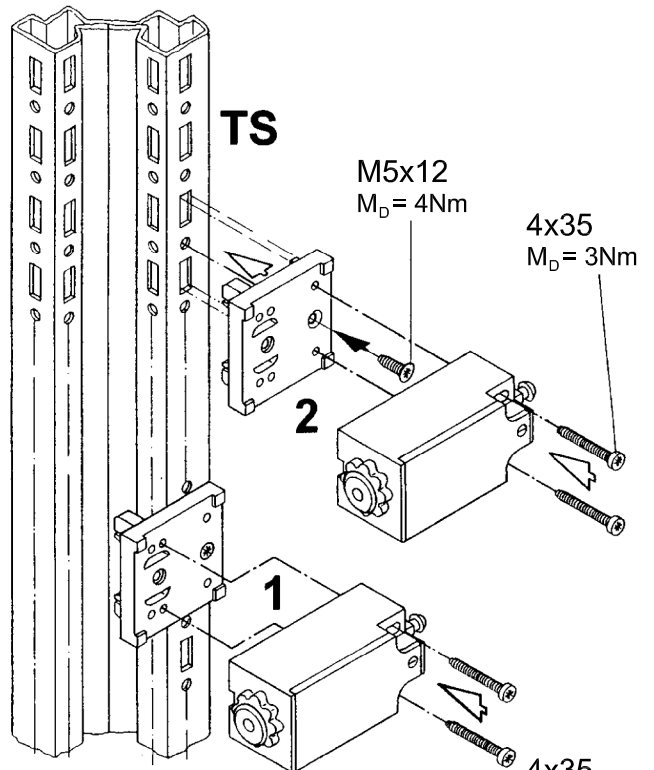
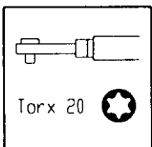
Zchnng.-Nr. / No. of dwg. : A3647502SZ
Versandbeutel-Nr. / No. of accessory bag : -

Lieferanten-Nr. / No. of supplier :

PS (1 & 2)
TS (1)



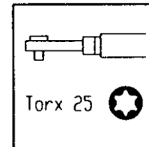
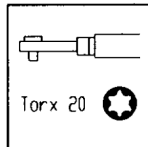
4x35
 $M_D = 3Nm$



TS

M5x12
 $M_D = 4Nm$

4x35
 $M_D = 3Nm$



4x35
 $M_D = 2Nm$