

Rittal – The System.

Faster – better – everywhere.



TopPult-System

TopConsole system

Pupitres TopPult

TopConsole-System

TopPult-System

Sistemi di pulpiti TopPult

Sistema TopPult

トップコンソールシステム

TP 6700.500	TP 6706.500	TP 6714.500	TP 6722.500
TP 6701.500	TP 6707.500	TP 6715.500	TP 6723.500
TP 6702.500	TP 6710.500	TP 6716.500	
TP 6703.500	TP 6711.500	TP 6717.500	
TP 6704.500	TP 6712.500	TP 6720.500	
TP 6705.500	TP 6713.500	TP 6721.500	

Montage- und Bedienungsanleitung
Assembly and operating instructions
Notice de montage et mode d'emploi
Montage- en bedieningshandleiding
Montage- och bruksanvisning
Istruzioni di montaggio e uso
Instrucciones de montaje y empleo
取扱説明書



ENCLOSURES

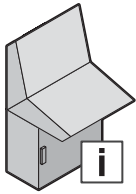
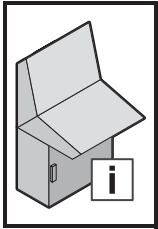
POWER DISTRIBUTION

CLIMATE CONTROL

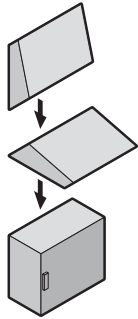
IT INFRASTRUCTURE

SOFTWARE & SERVICES

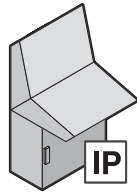
FRIEDHELM LOH GROUP



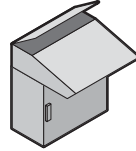
3



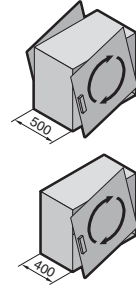
4



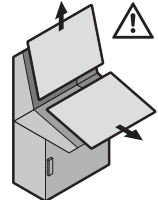
5



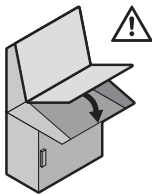
5



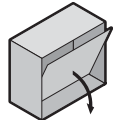
6/7



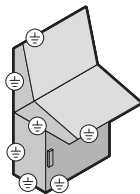
8



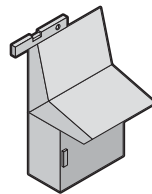
9



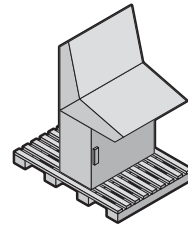
10/11



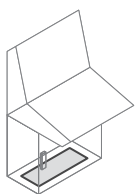
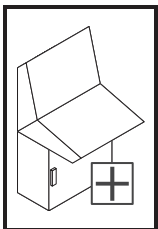
21



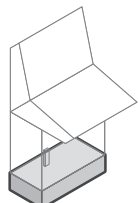
22



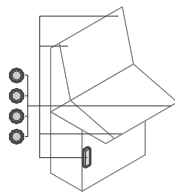
23



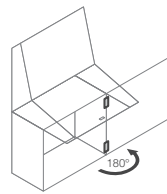
12



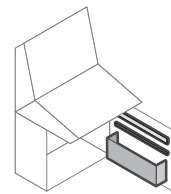
13



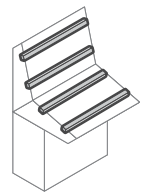
14



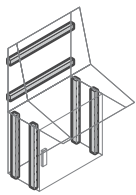
15



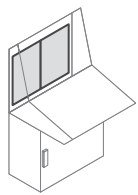
16



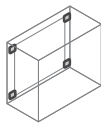
16



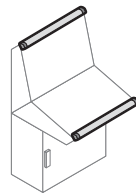
17



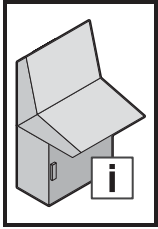
18

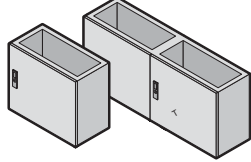
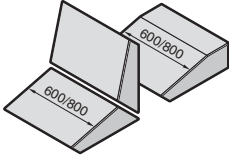
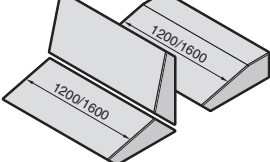
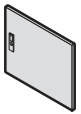
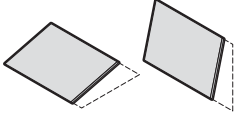
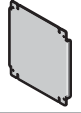



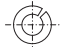

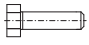


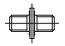





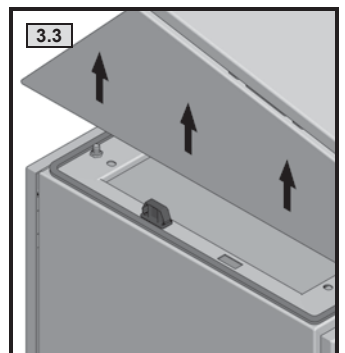
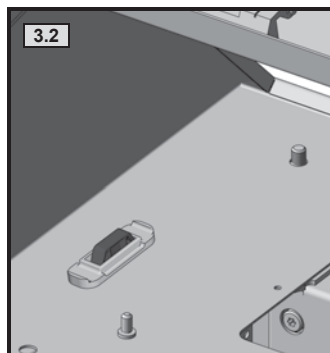
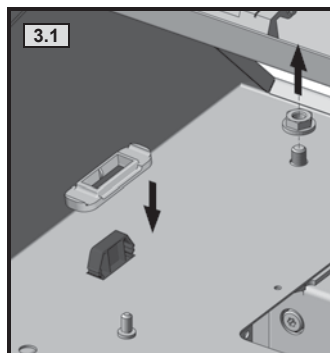
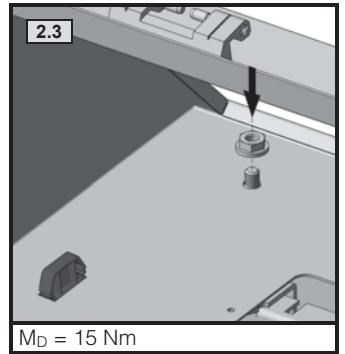
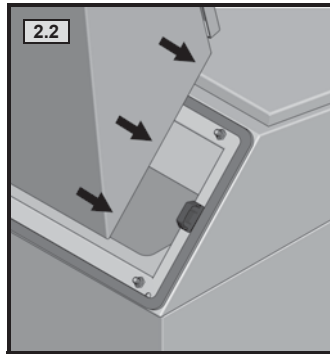
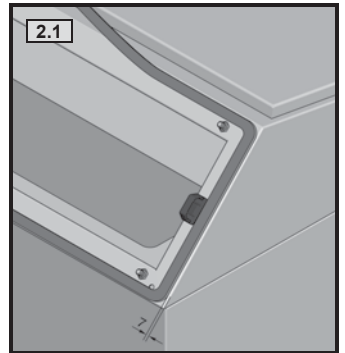
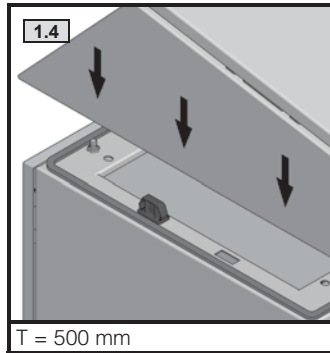
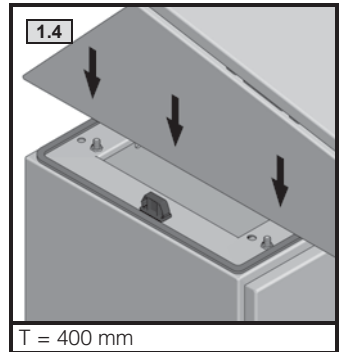
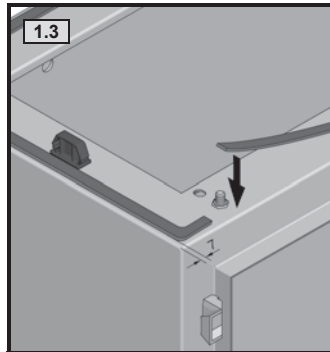
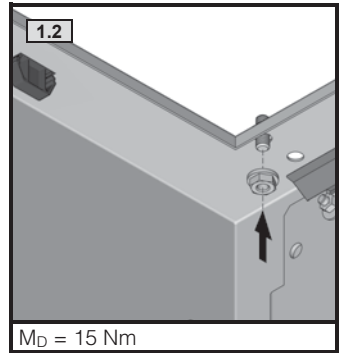
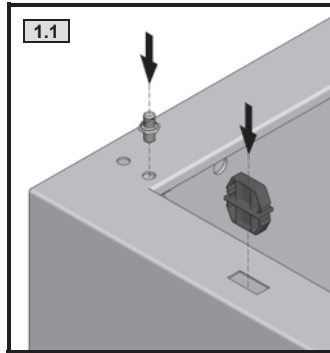
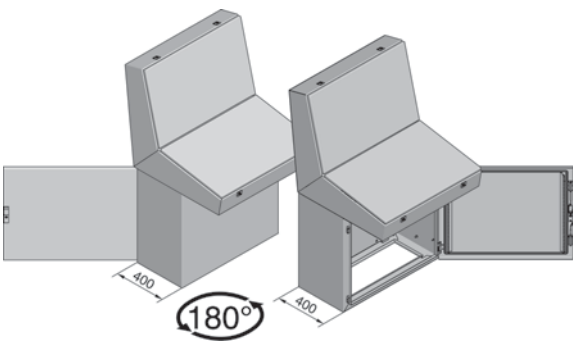
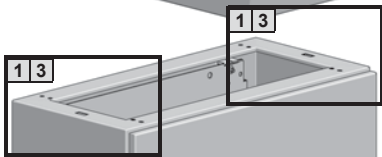
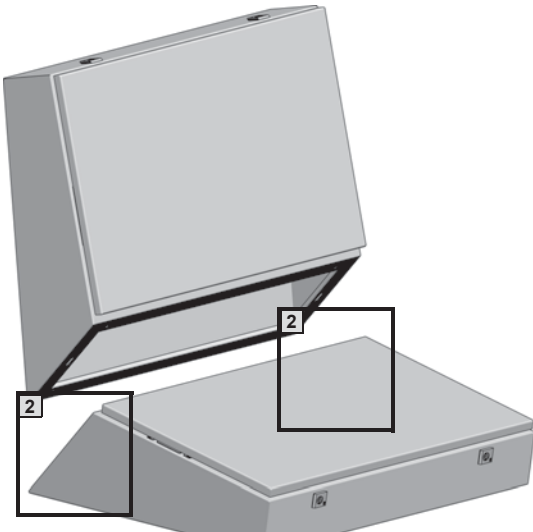
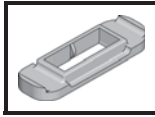
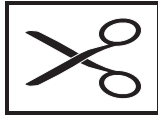
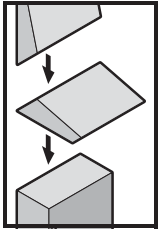
19

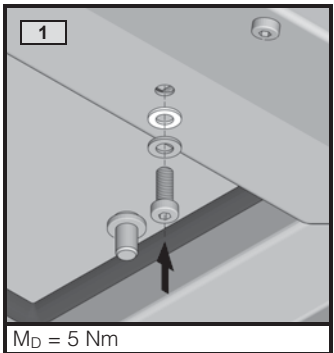
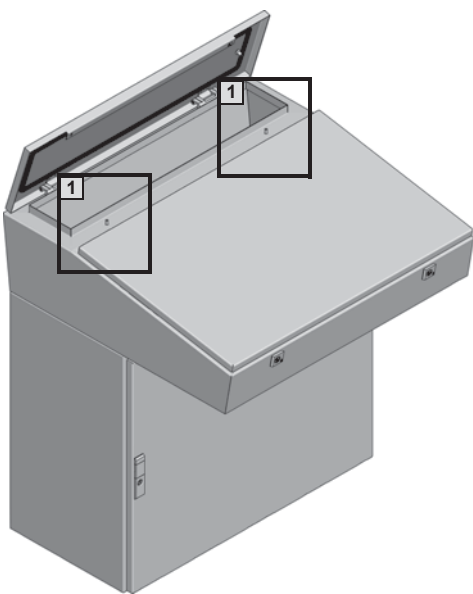
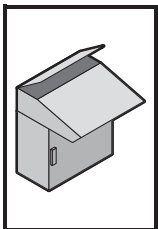
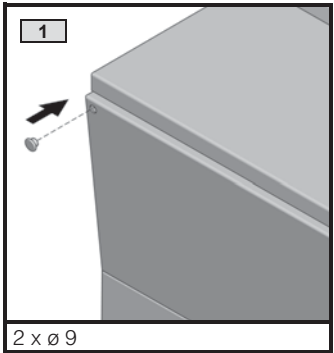
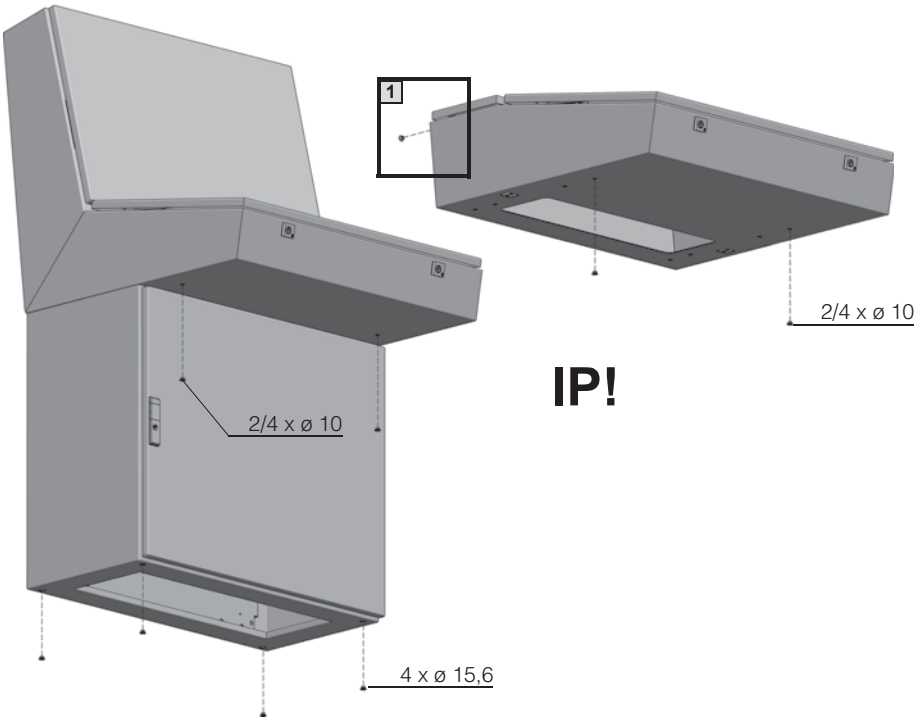
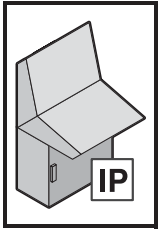


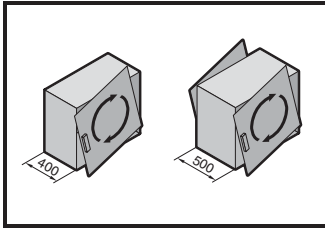
20



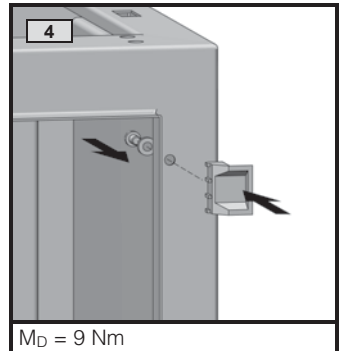
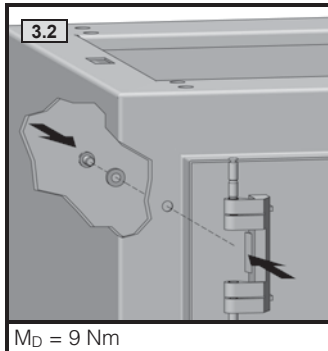
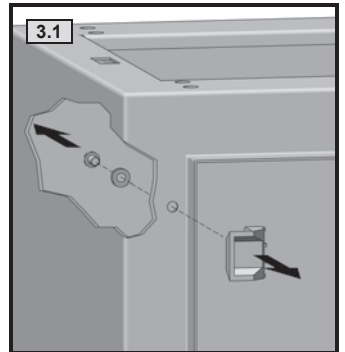
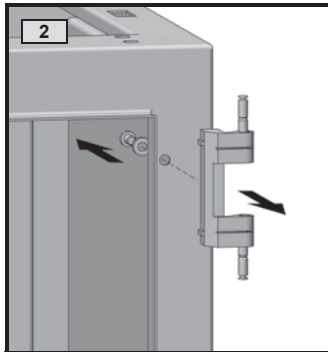
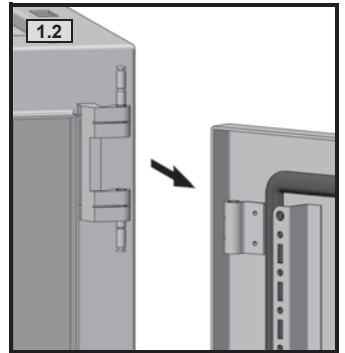
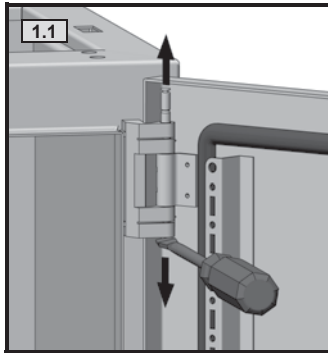
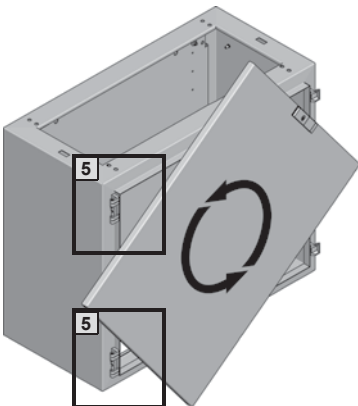
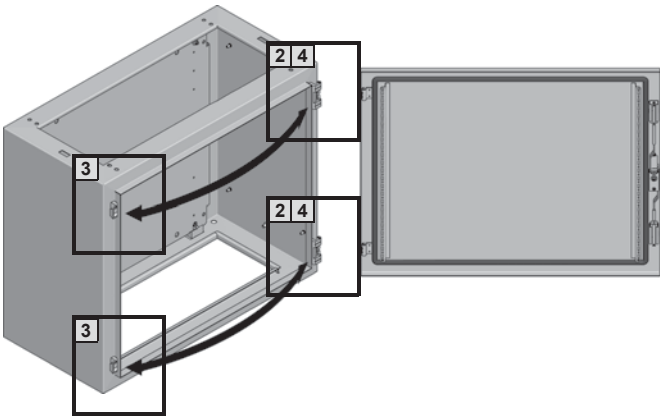
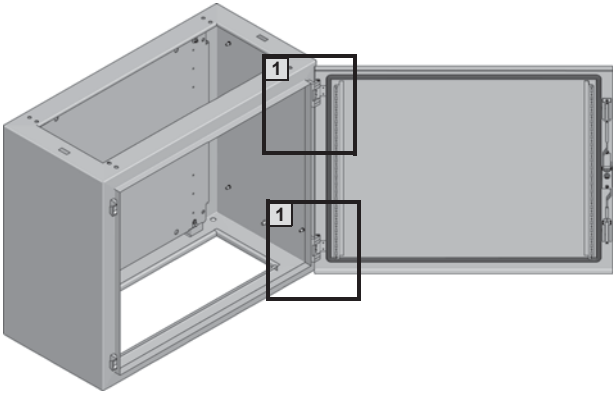
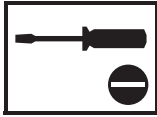
					
IP/UL 50		IP 55/Typ 12 (NEMA 12)	IP 55/Typ 12 (NEMA 12)	IP 55/Typ 12 (NEMA 12)	
IK		08	08	08	
		↓ 1 x 300 N	↓ 2 x 300 N	-	
		-	↓ 1 x 250 N	↓ 1 x 250 N	
		↓ 1 x 1200 N	-	-	
		1 x	1 x	1 x	14
	Ø 9	-	2 x	2 x	5
	Ø 10	-	2 x	4x	5
	Ø 15,6	4 x	-	-	5
	Ø 6,1	4 x	1 x	1 x	21
	Ø 8,2	2 x	-	-	21
	A 8,1	3 x	2 x	2 x	21
	A 6,4	4 x	1 x	1 x	21
	A 8,4	3 x	2 x	2 x	21
	M6 x 12	4 x	1 x	1 x	21
	M8 x 30	1 x	-	-	21
		6 x	3 x	3 x	21
	M6	4 x	1 x	1 x	21
	M8	4 x	2 x	2 x	21
	M8	-	4 x	8 x	4
	M8	-	8 x	16 x	4
		-	2 x	2 x	4
		-	1 x	1 x	4





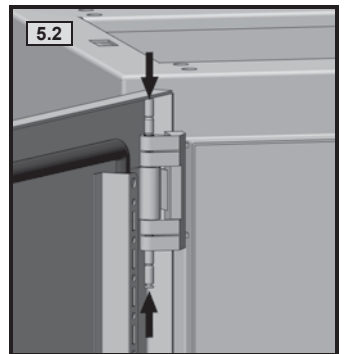
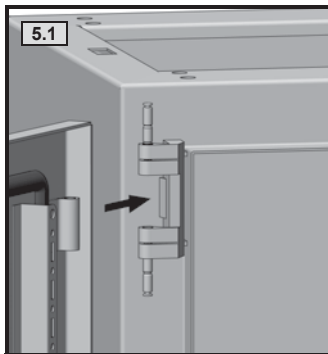


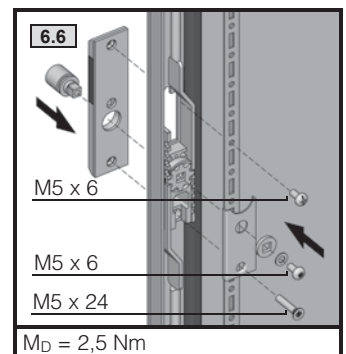
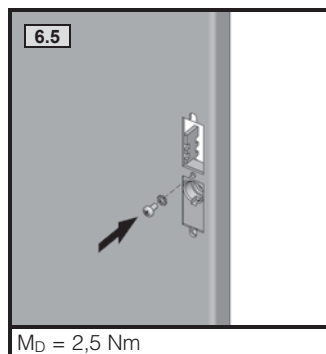
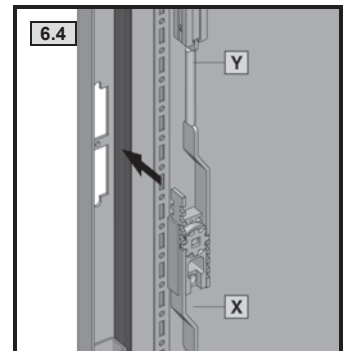
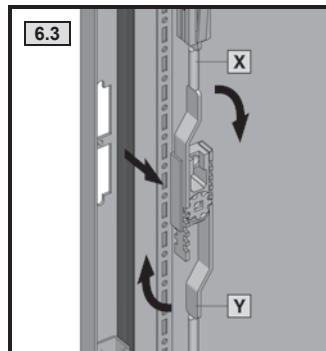
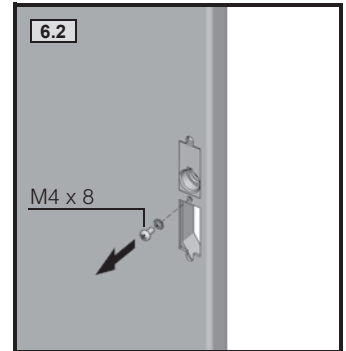
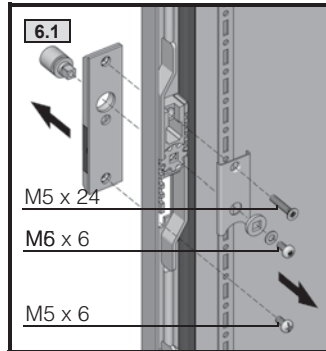
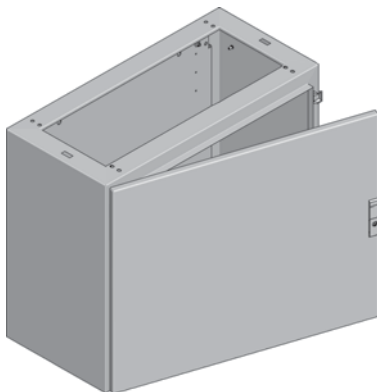
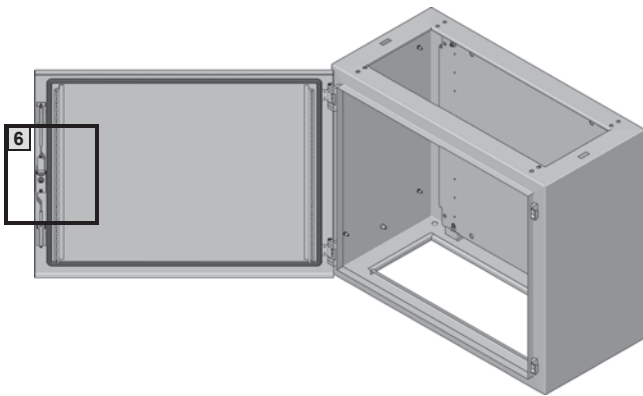
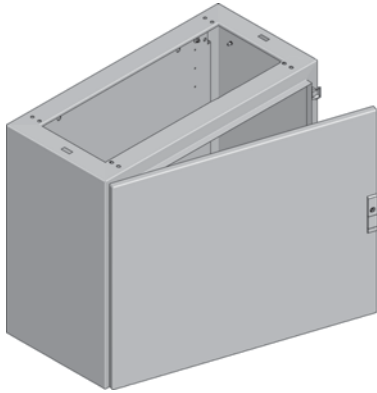
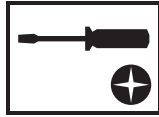
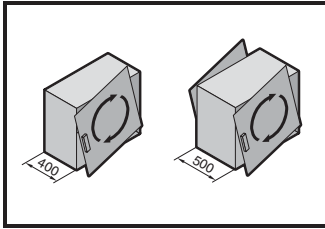
SW4

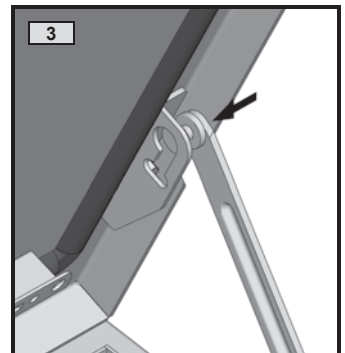
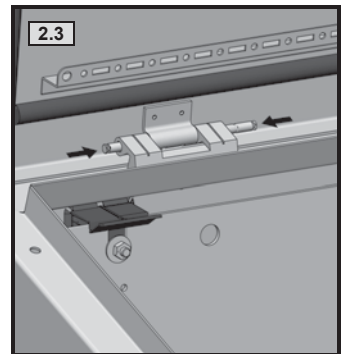
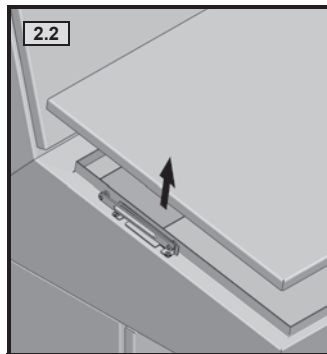
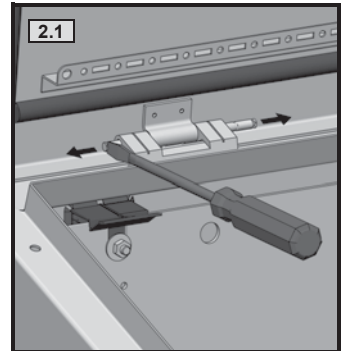
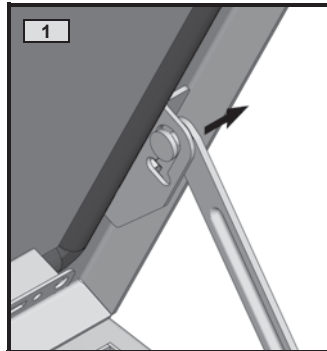
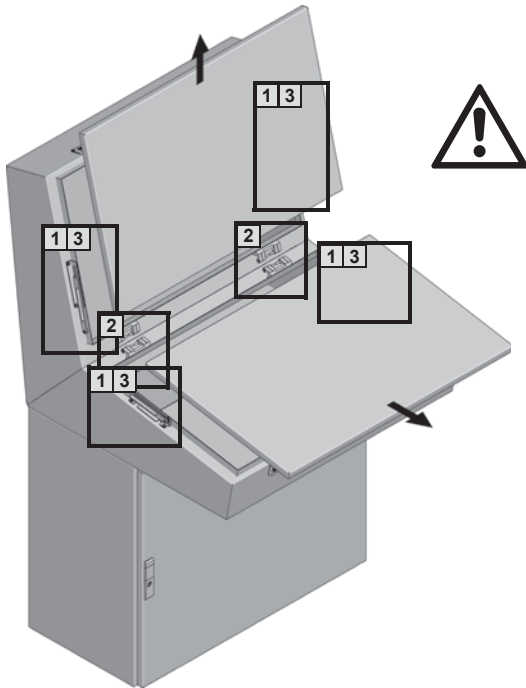
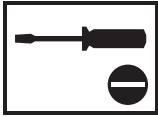
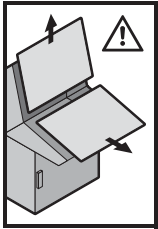


$M_D = 9 \text{ Nm}$

$M_D = 9 \text{ Nm}$

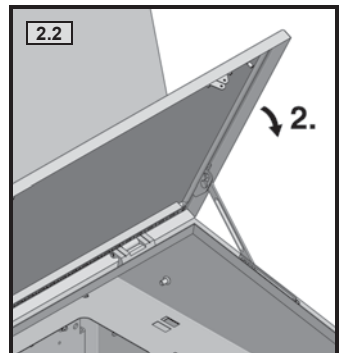
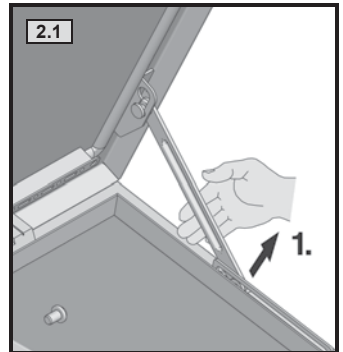
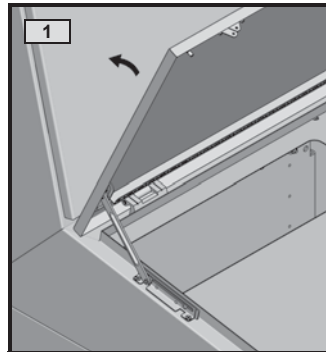
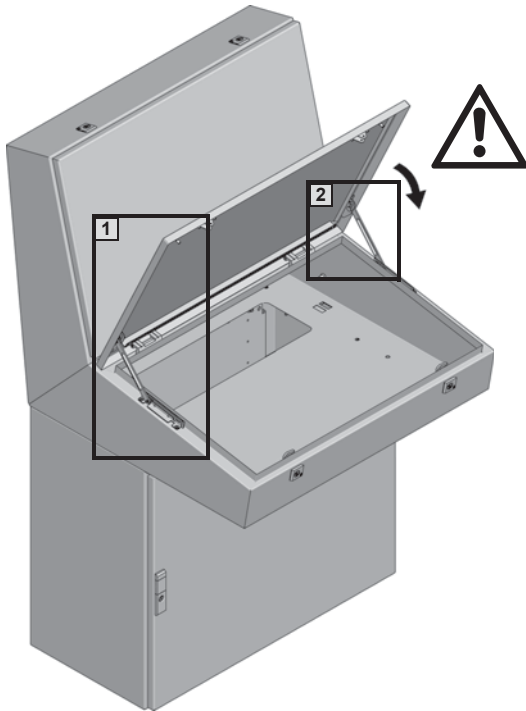
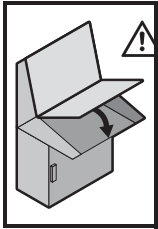






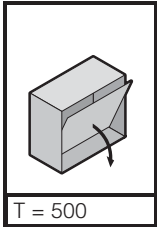
Achtung! Quetschgefahr.
Montage und Betrieb nur gemäß Anleitung.

Attention! Squeezing danger.
Assembly and operating only in accordance
with operating manual.

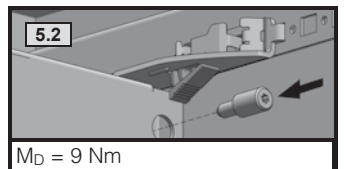
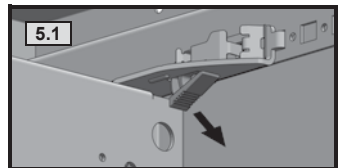
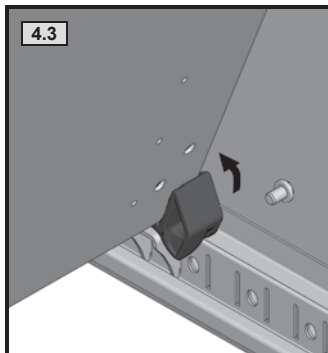
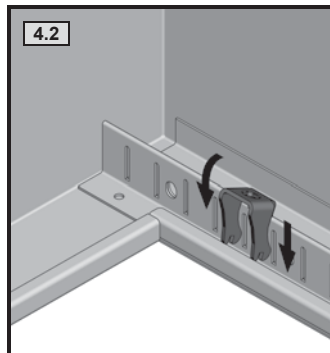
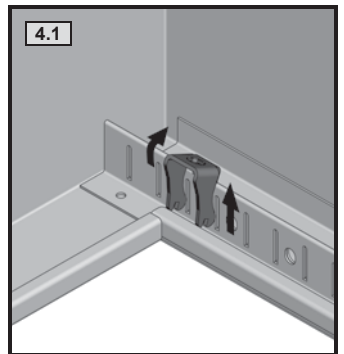
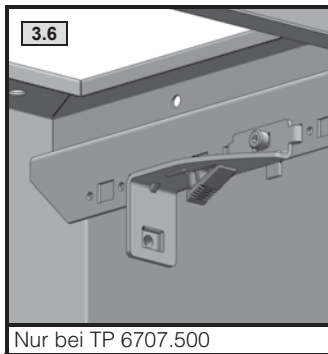
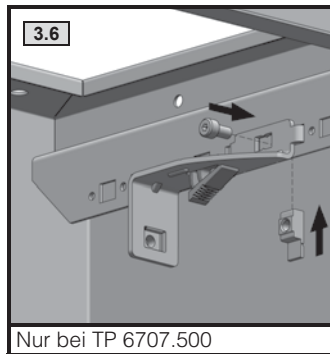
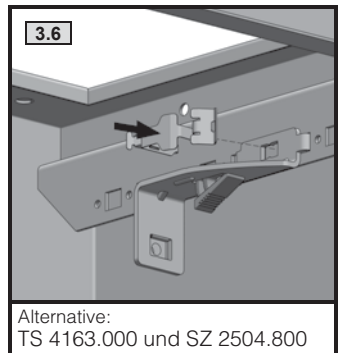
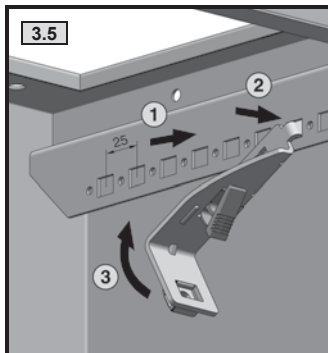
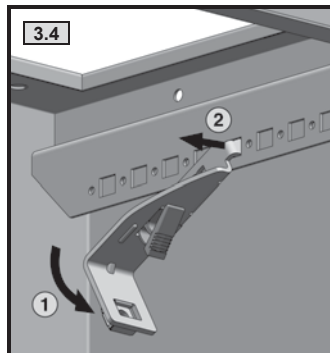
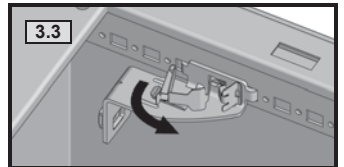
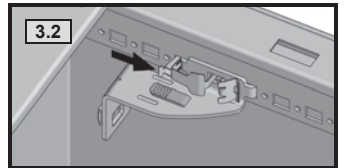
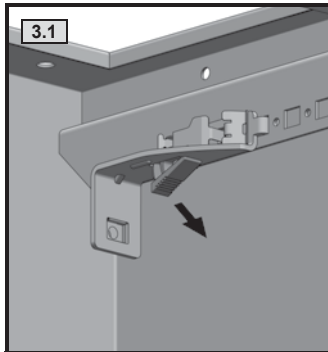
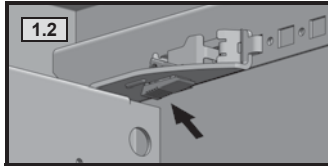
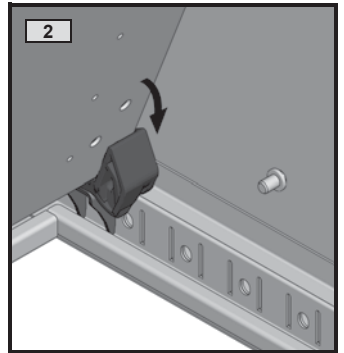
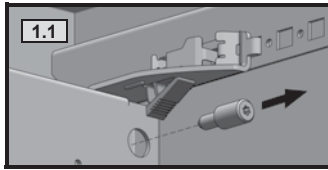
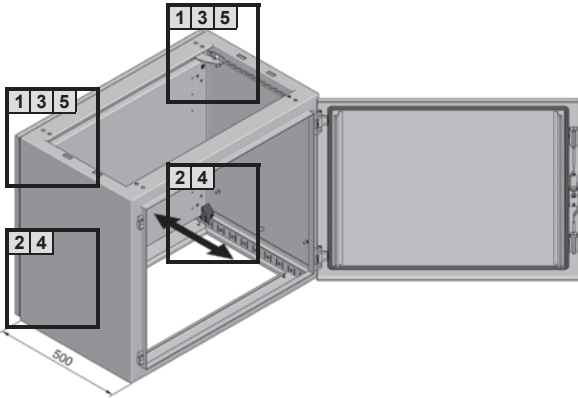


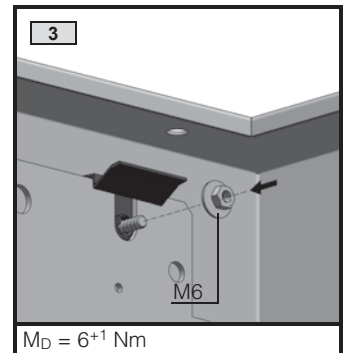
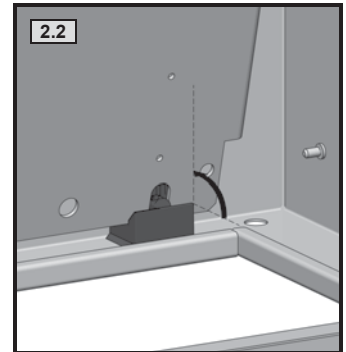
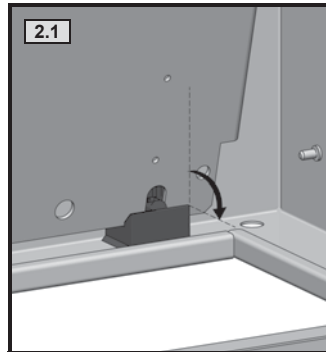
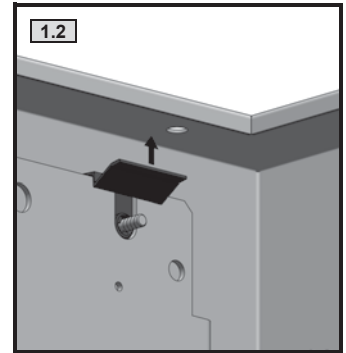
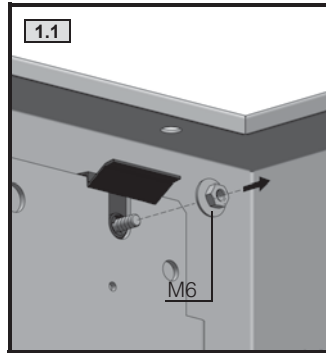
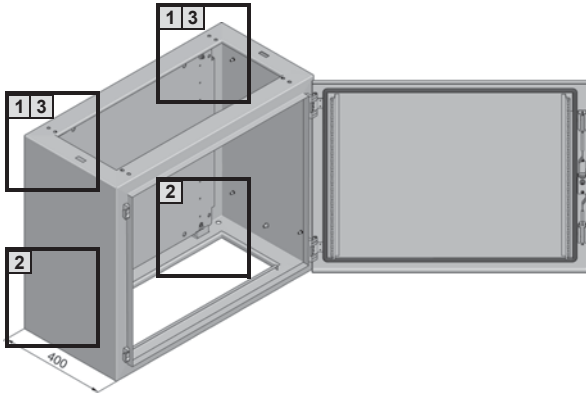
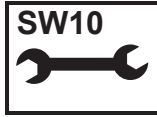
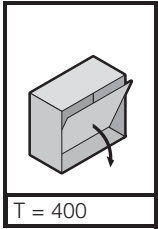
Achtung! Quetschgefahr.
Montage und Betrieb nur gemäß Anleitung.

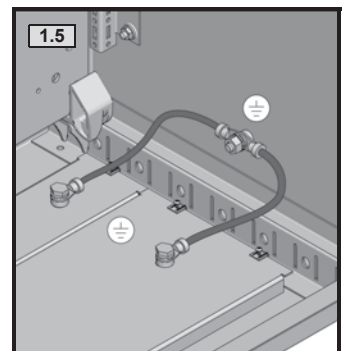
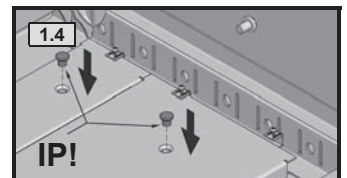
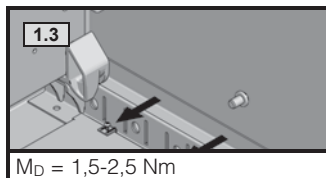
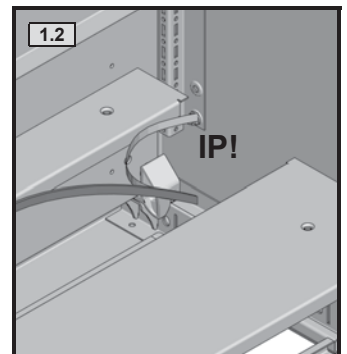
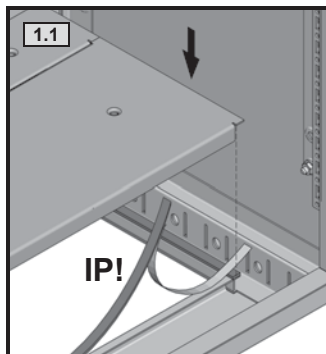
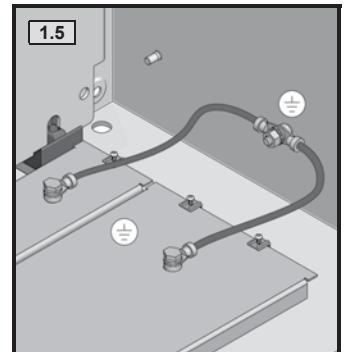
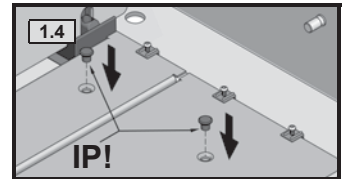
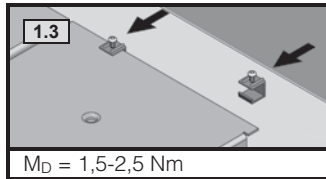
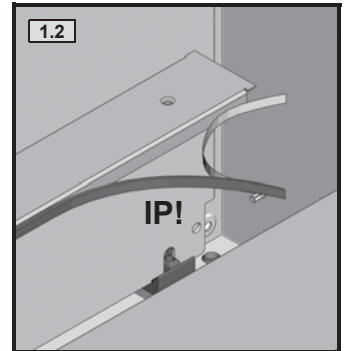
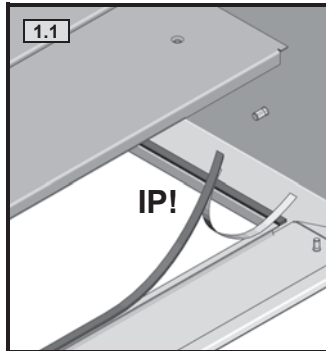
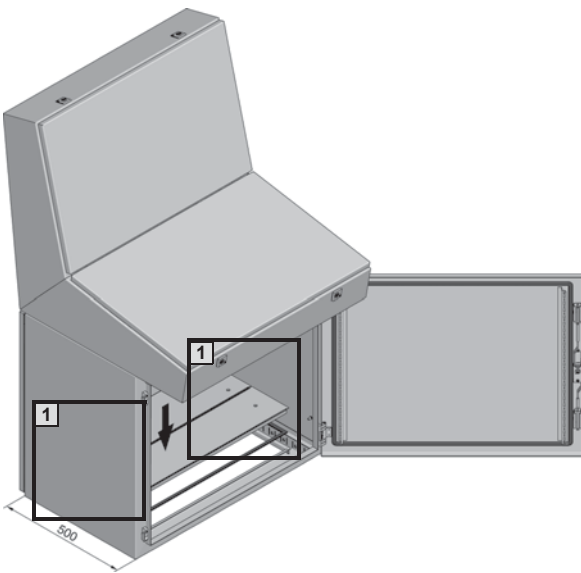
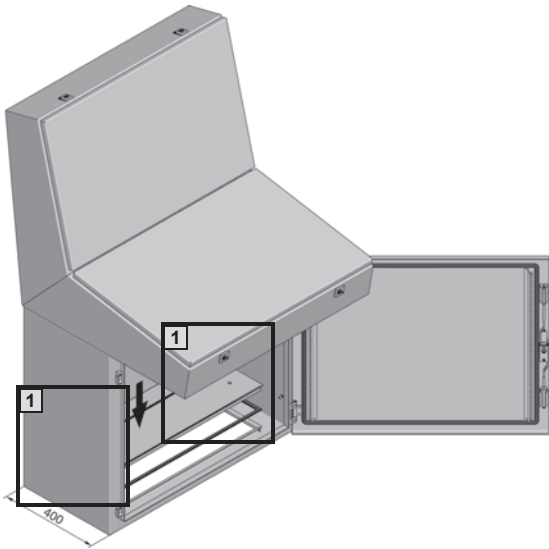
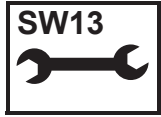
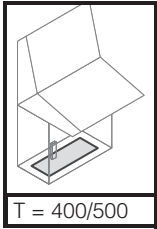
Attention! Squeezing danger.
Assembly and operating only in accordance
with operating manual.

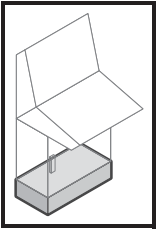


TX30

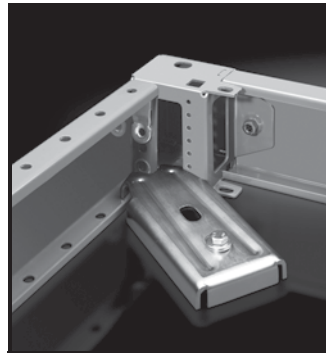
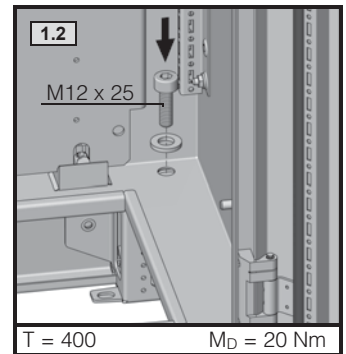
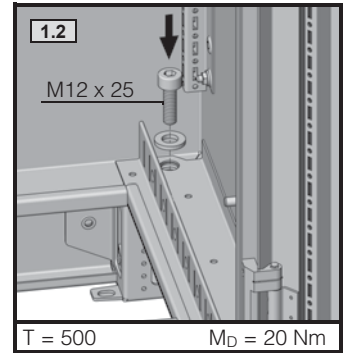
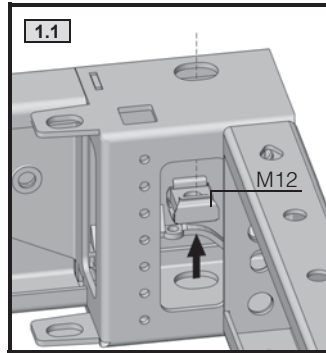
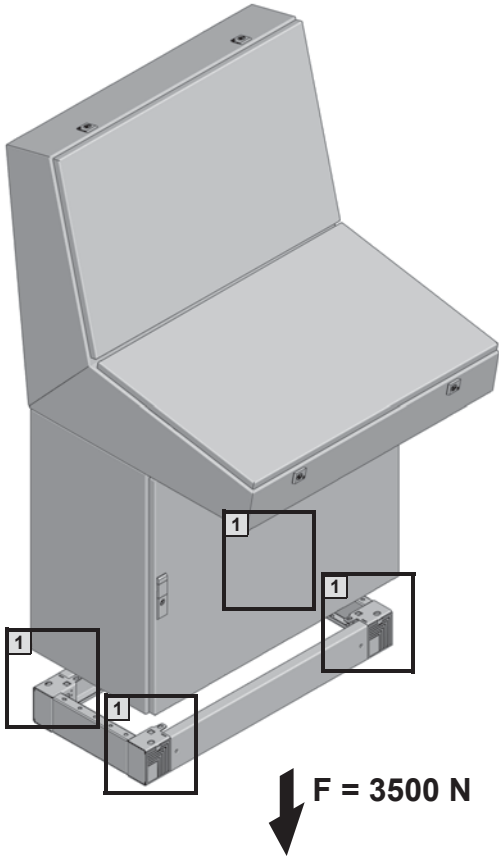



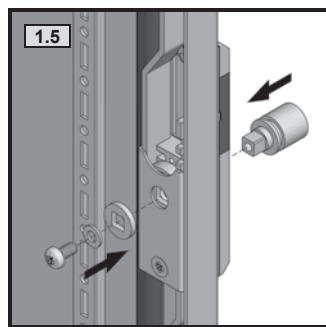
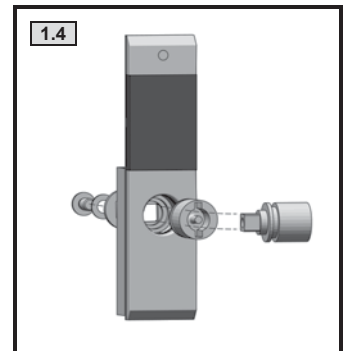
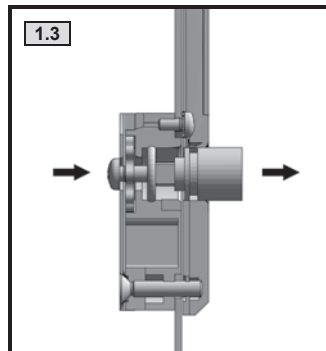
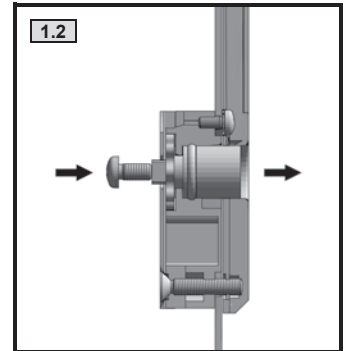
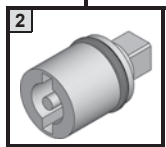
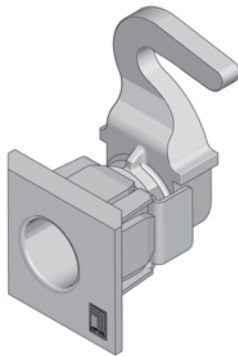
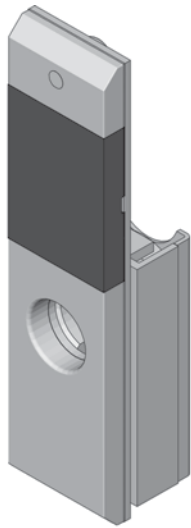
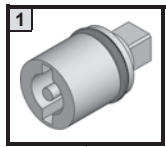
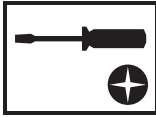
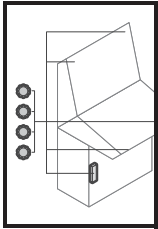






SW8 



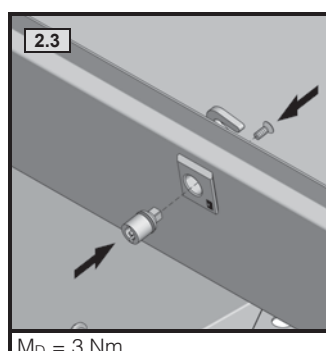
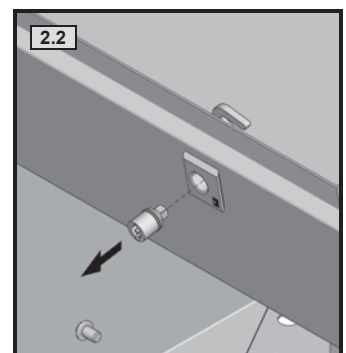
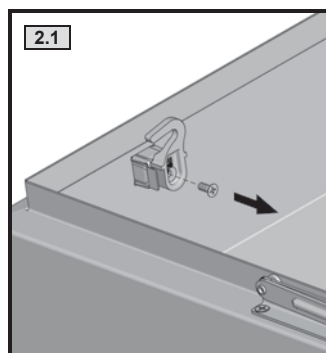


$M_D = 3 \text{ Nm}$



SZ 2450.010/2456.500

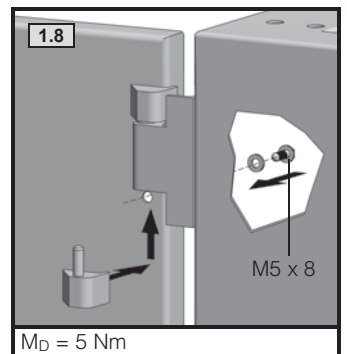
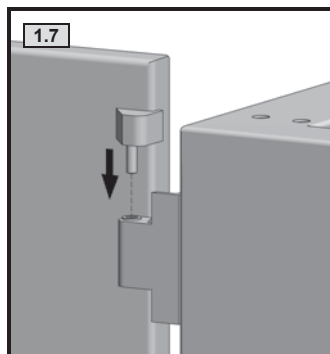
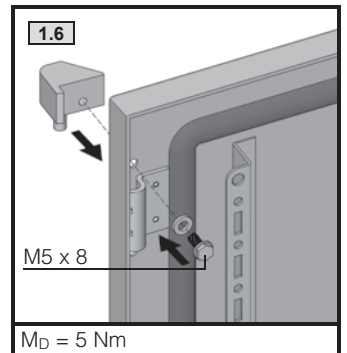
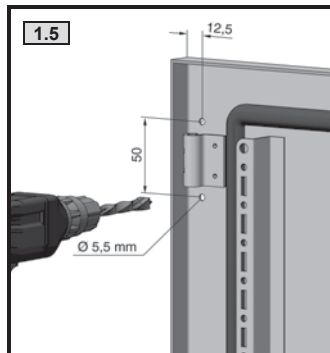
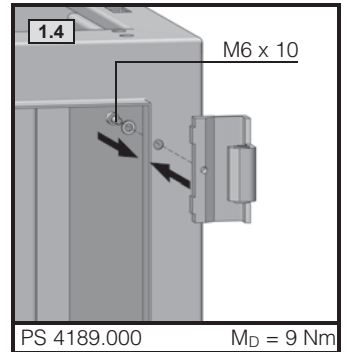
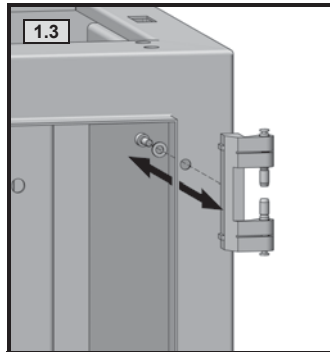
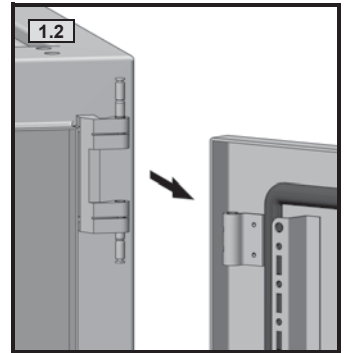
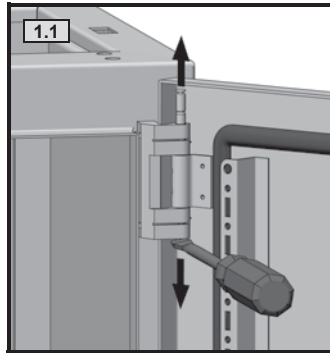
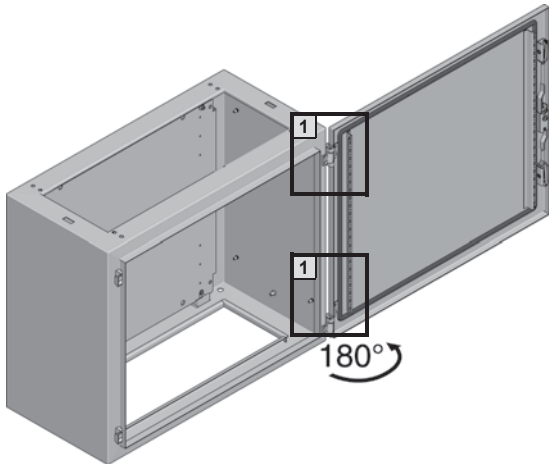
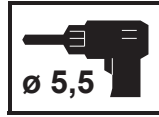
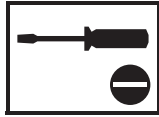
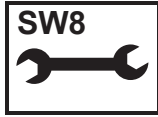
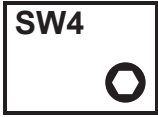
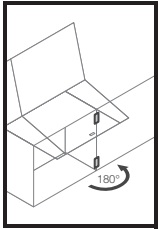
	7 mm	2460.000
	8 mm	2461.000
	6,5 mm	2460.650
	7 mm	2462.000
	8 mm	2463.000
		2464.000
	Daimler	2465.000
	3 mm	2466.000
	Fiat	2307.000

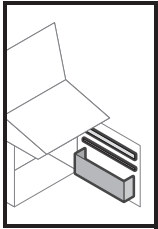


$M_D = 3 \text{ Nm}$

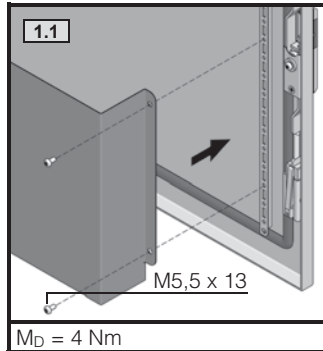
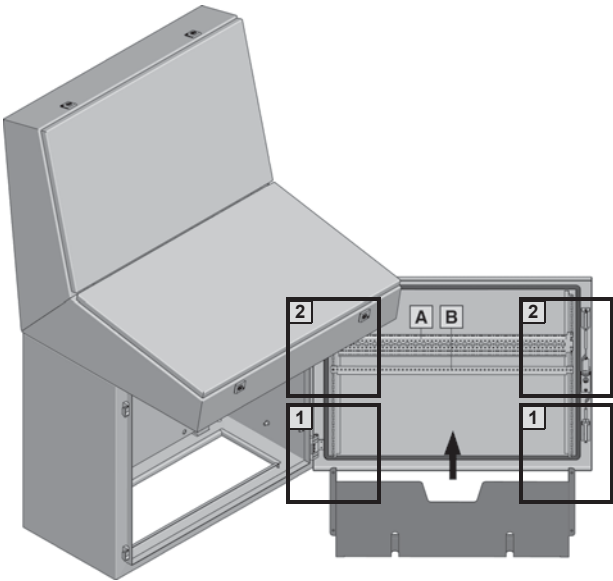


SZ 2576.000/2533.000

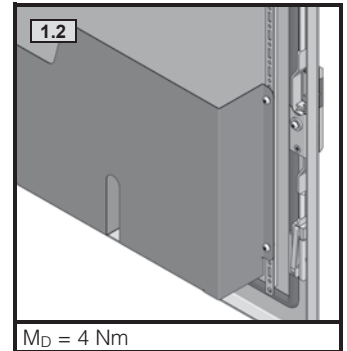




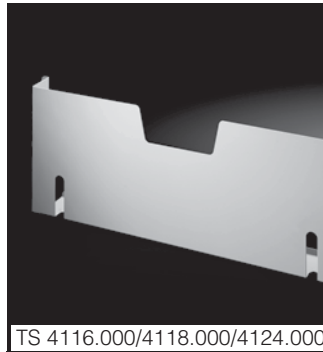
TX25



M_D = 4 Nm



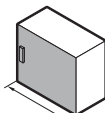
M_D = 4 Nm

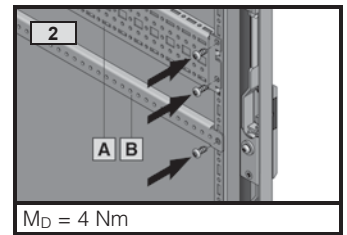


TS 4116.000/4118.000/4124.000

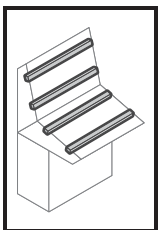


SZ 2514.000/2515.000

		
	600/1200	800/1600
A	8612.050	-
B	4596.000	4598.000




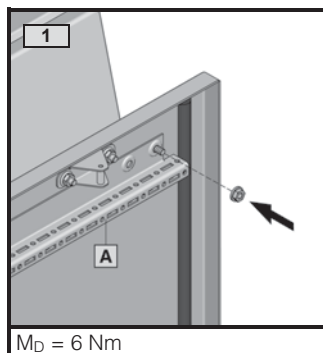
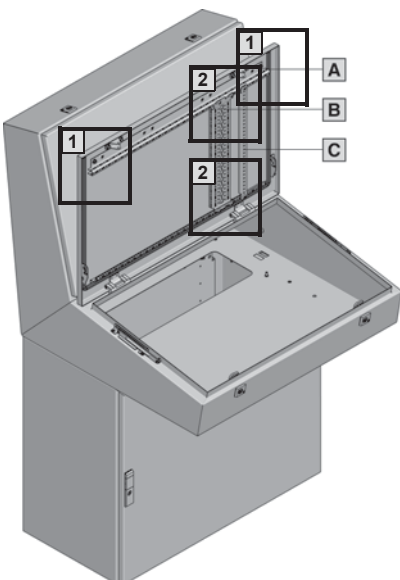
M_D = 4 Nm



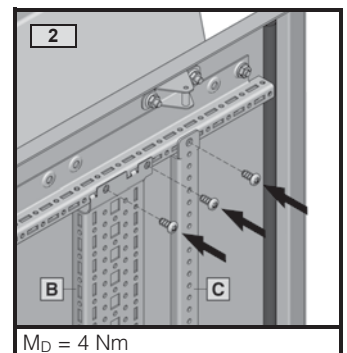
TX25



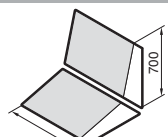
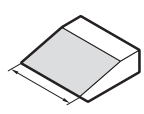
SW10

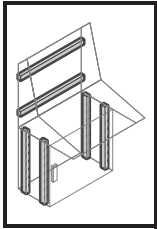



M_D = 6 Nm



M_D = 4 Nm

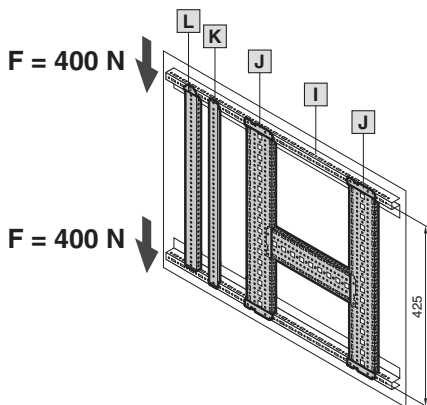
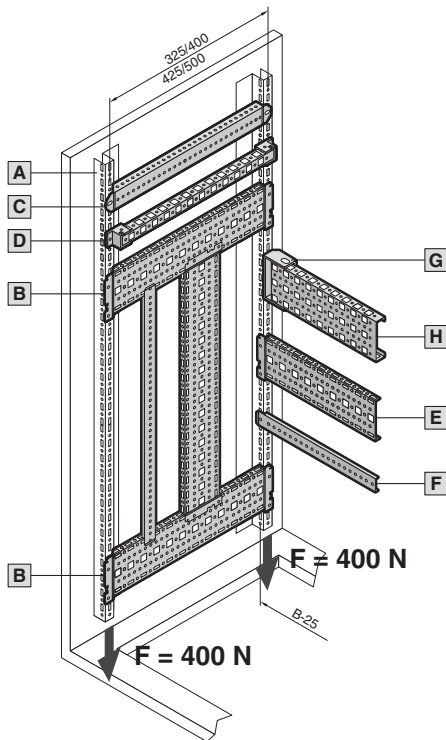
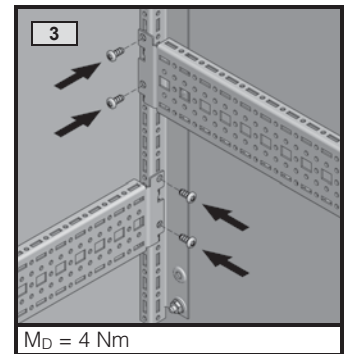
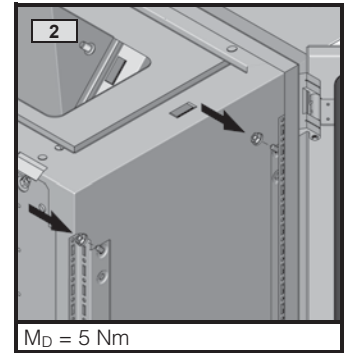
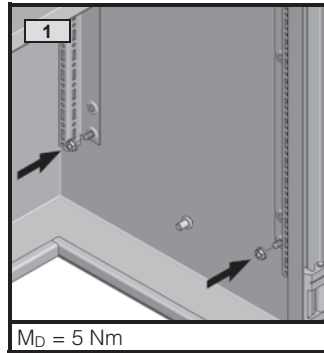
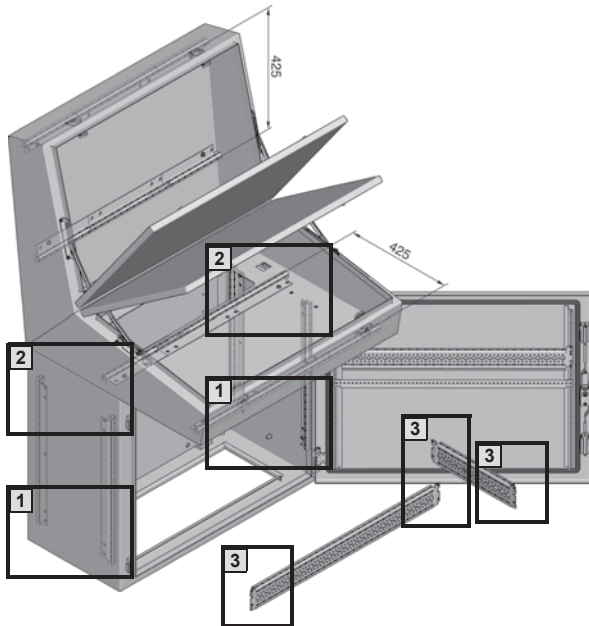
				
	600	800	1200	1600
A	5001.050	5001.051	5001.053	5001.054
B		8612.040		
C		4309.000		



TX25



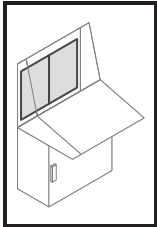
SW10



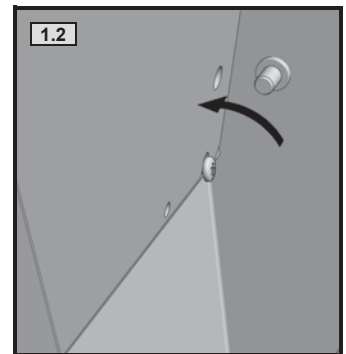
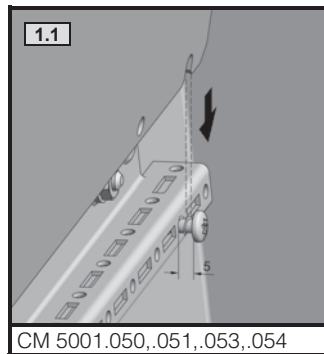
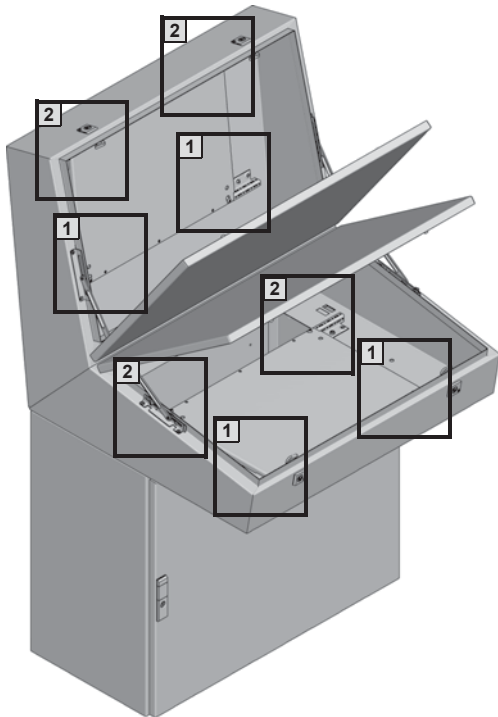
A	5001.050	
B	8612.140	8612.150
C	4694.000	4695.000
D	4169.000	4170.000

	600	800	1200	1600
E	8612.060	8612.080	8612.020	-
F	8800.130	4579.000	-	-
G	8800.330			
H	4376.000	4377.000	4378.000	4387.000

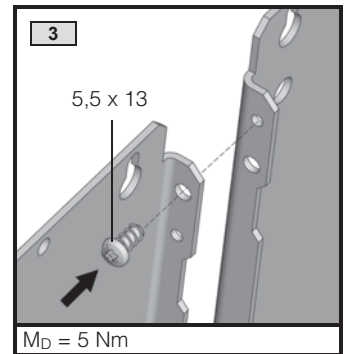
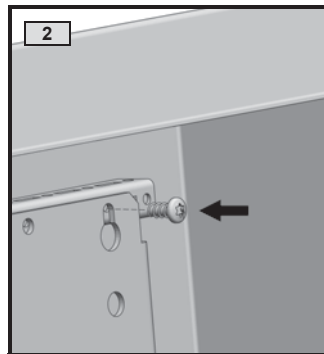
	600	800	1200	1600
I	5001.050	5001.051	5001.053	5001.054
J	8612.150			
K	4695.000			
L	8612.250			

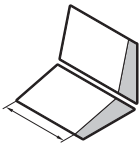



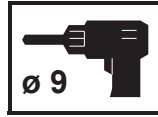
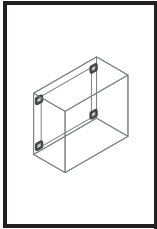
TX25



CM 5001.050,.051,.053,.054

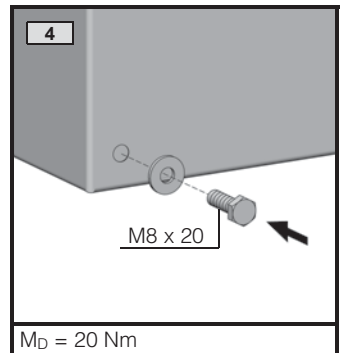
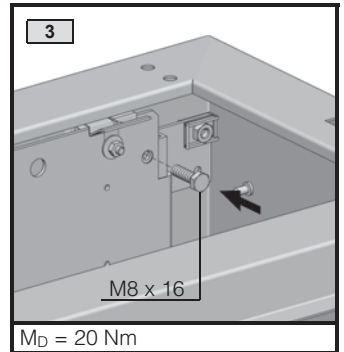
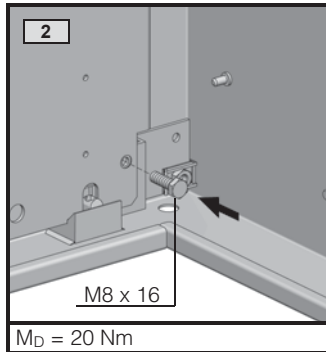
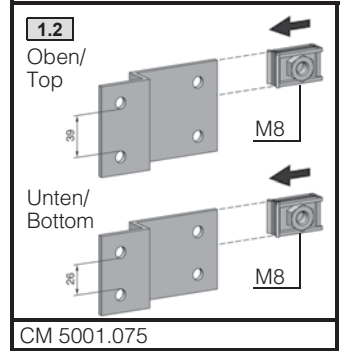
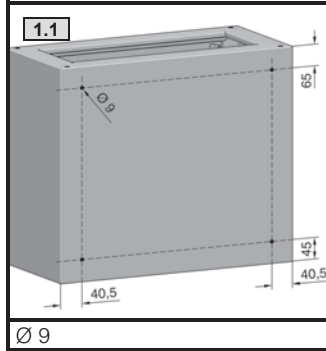
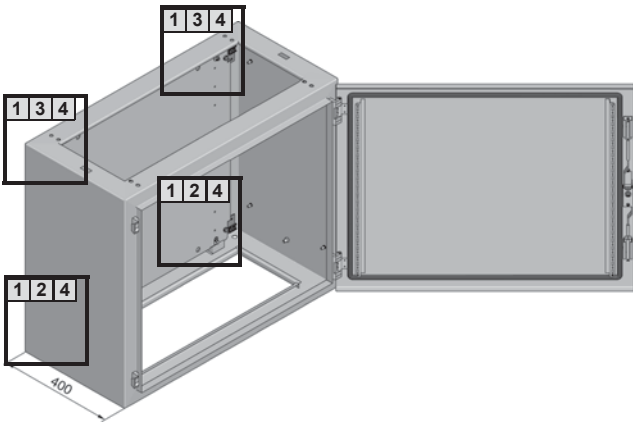


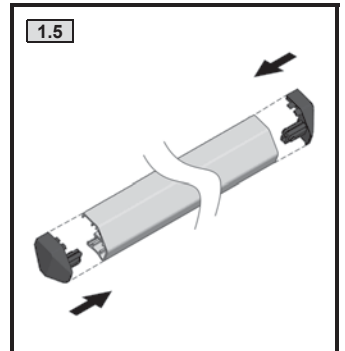
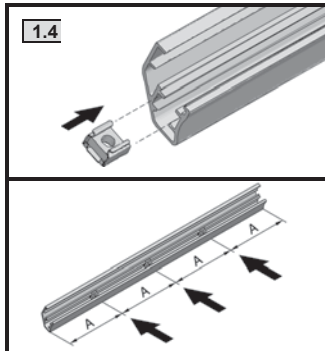
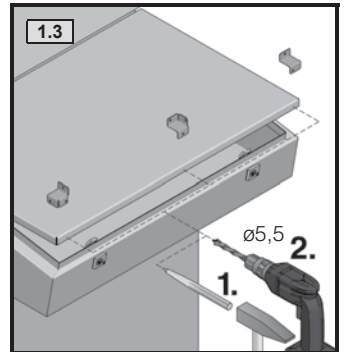
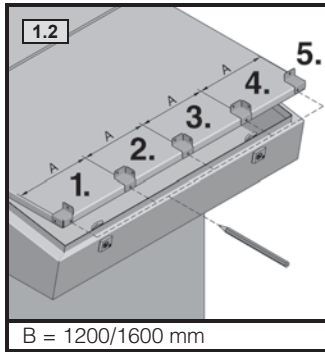
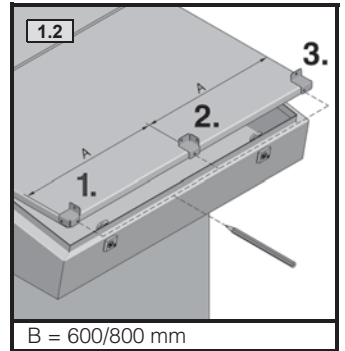
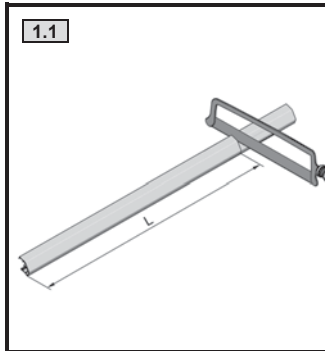
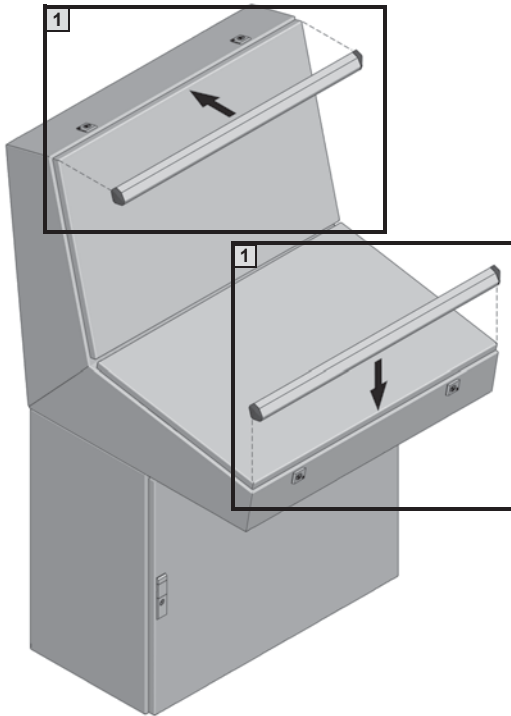
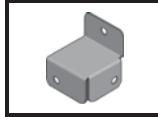
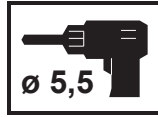
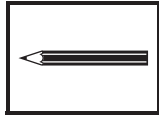
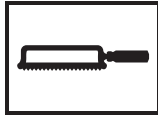
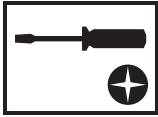
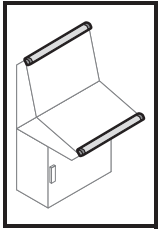
	Max.	 F_{max}
600	1 x TP 6730.330	700 N
800	1 x TP 6730.340	700 N
1200	2 x TP 6730.310 1 x TP 6730.340	700 N
1600	1 x TP 6730.330 1 x TP 6730.340	700 N

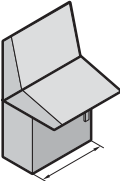



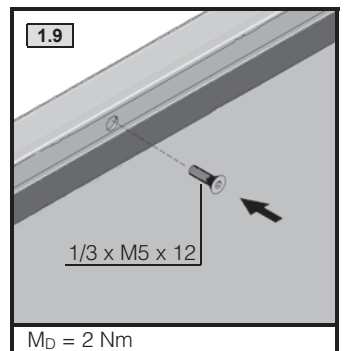
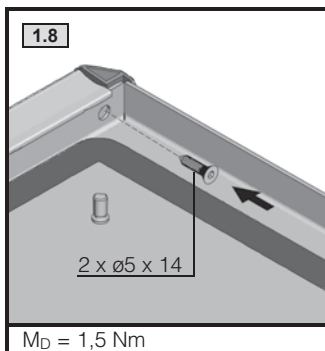
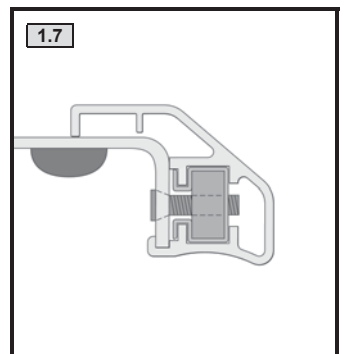
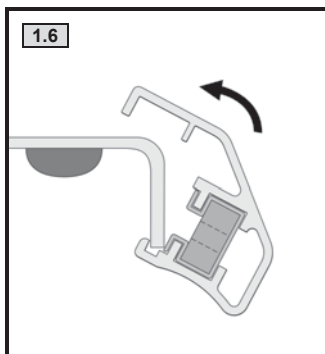
CM 5001.075

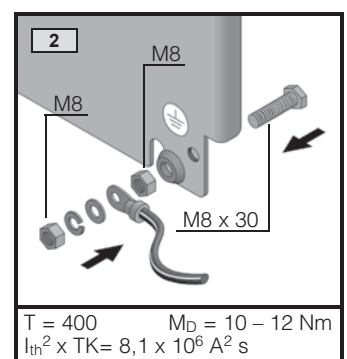
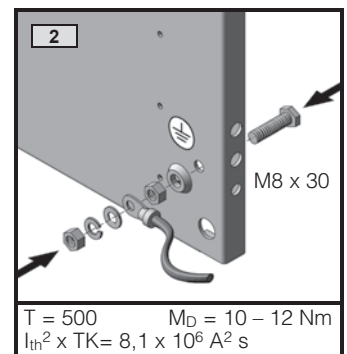
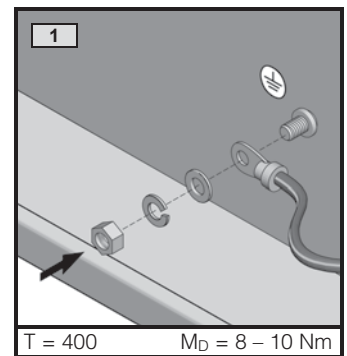
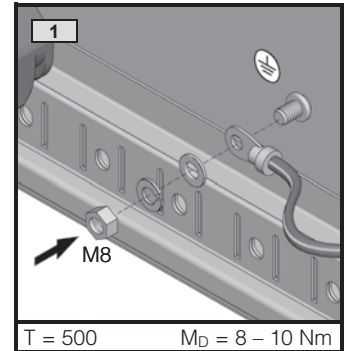
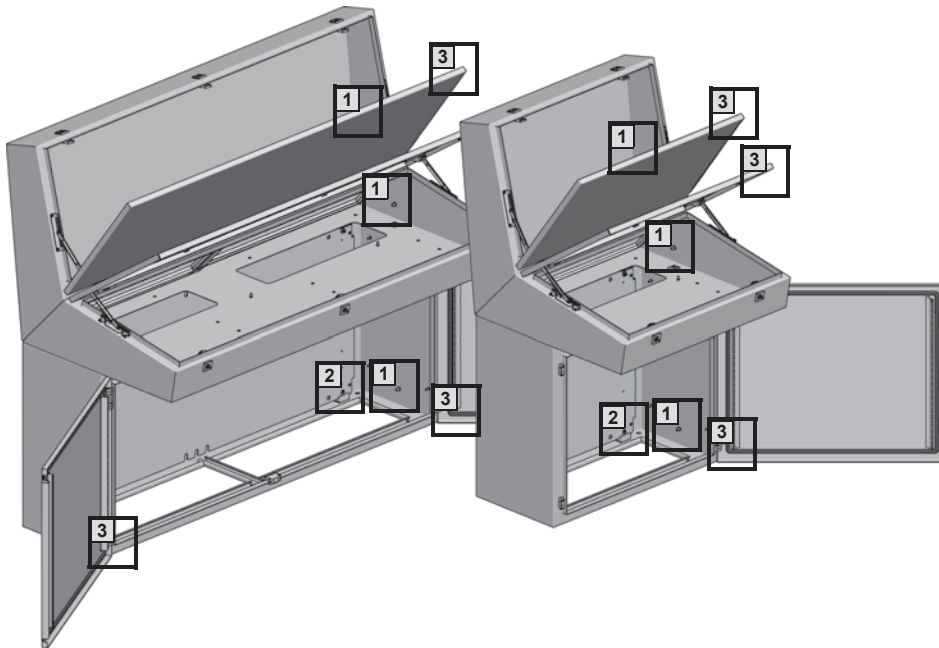
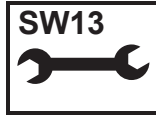
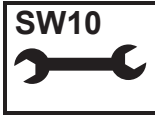
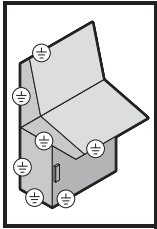
Bei dynamischer Belastung
 During dynamic load



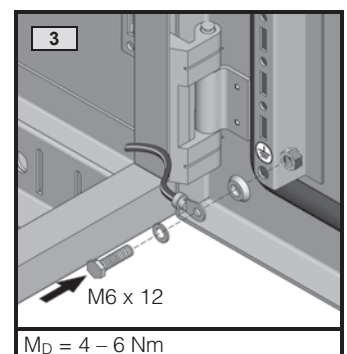
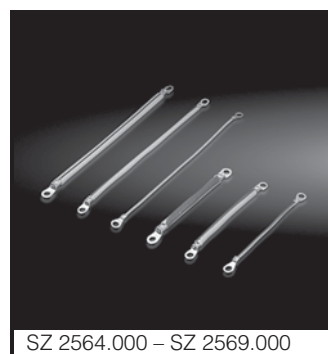


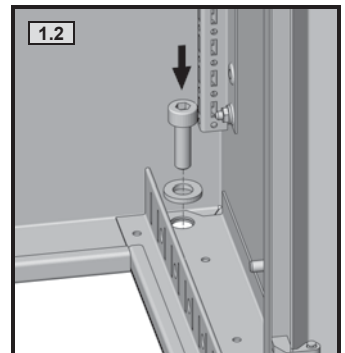
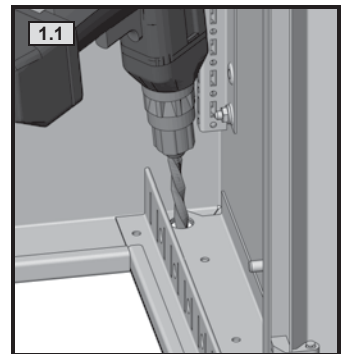
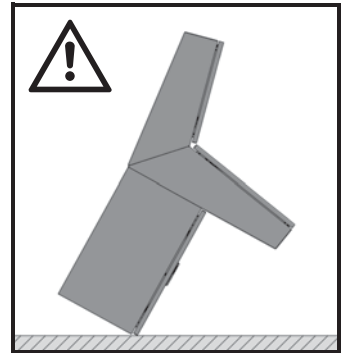
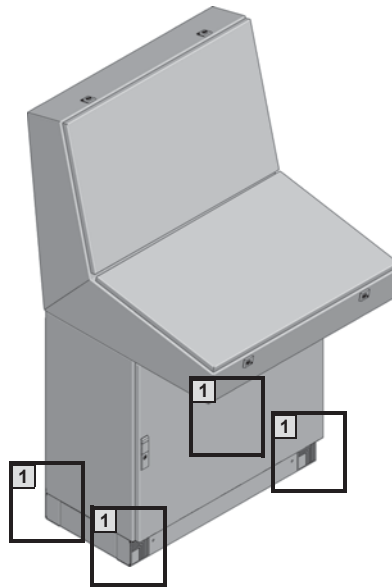
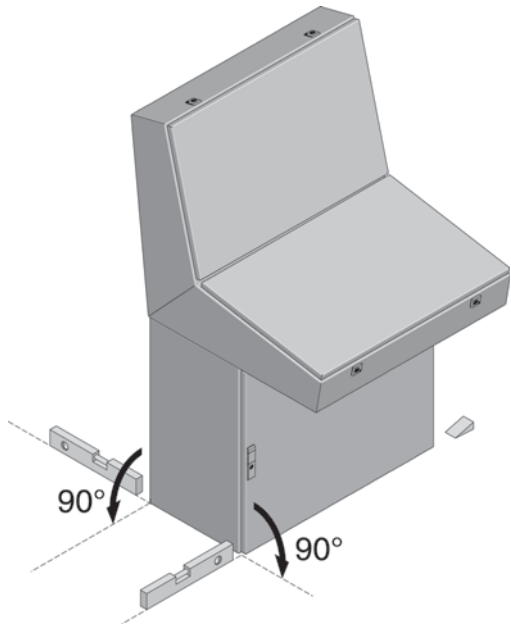
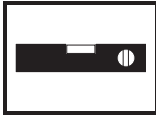
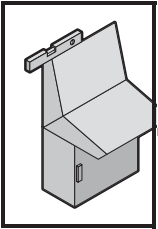
		Best.-Nr. TP
600	573	6731.120
800	773	
1200	1173	
1600	1573	

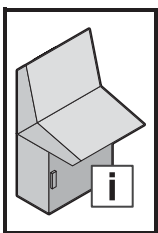
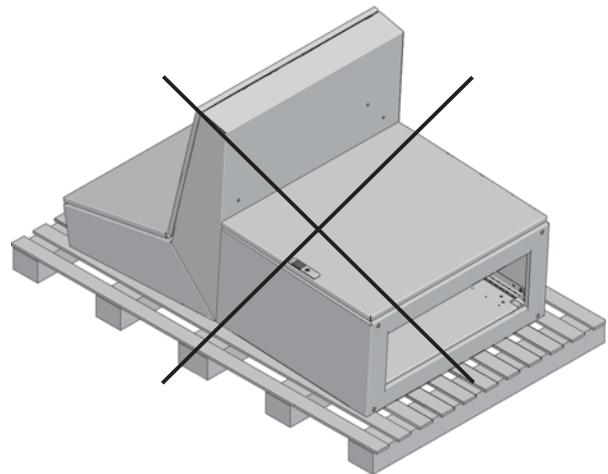
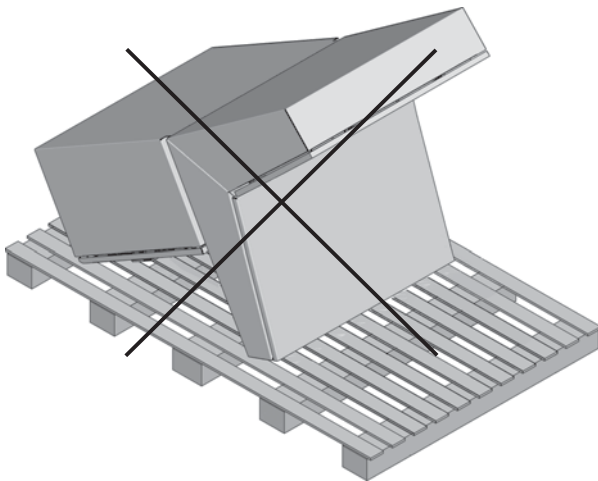
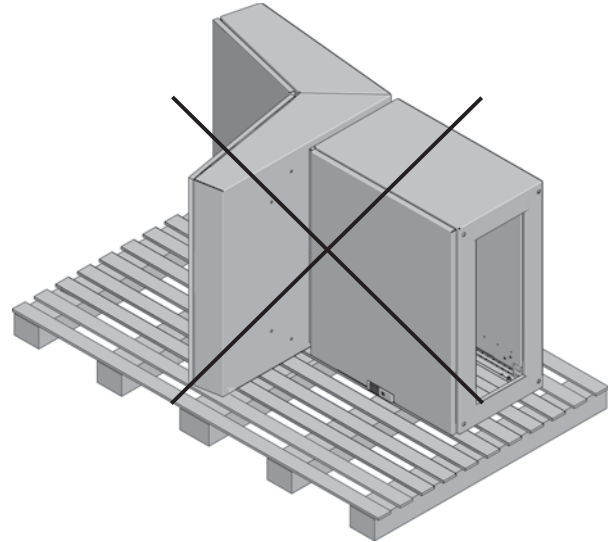
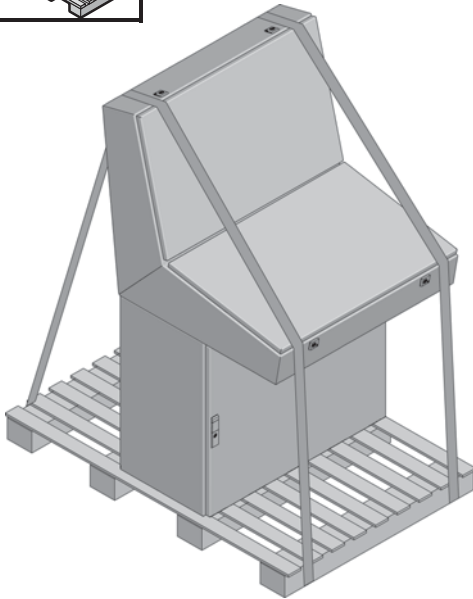
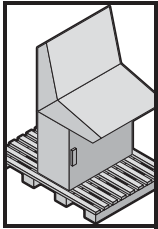




		1	2	3
	M8 x 30		1 x	
	M6 x 12			1 x
	Ø 8,2		1 x	
	Ø 6,1			1 x
	M8	1 x	2 x	
	M6			1 x
	A 8,4	1 x	1 x	
	A 6,4			1 x
	A 8	1 x	1 x	
		1 x	1 x	1 x







Qs [W]

Cabinet Type	Cabinet Depth	400mm Depth		500mm Depth		Cabinet Width	
		Top Panel	Bottom Panel	Top Panel	Bottom Panel	400mm	500mm
600	120	95	90	115	110	100	115
800	155	115	110	140	135	115	130
1200	220	160	150	200	185	145	160
1600	280	205	190	250	235	175	190

Rittal – The System.

Faster – better – everywhere.

- Enclosures
- Power distribution
- Climate control
- IT infrastructure
- Software & services

RITTAL GmbH & Co. KG
Postfach 1662 · D-35726 Herborn
Phone + 49(0)2772 505-0 · Fax + 49(0)2772 505-2319
E-Mail: info@rittal.de · www.rittal.de

ENCLOSURES

POWER DISTRIBUTION

CLIMATE CONTROL

IT INFRASTRUCTURE

SOFTWARE & SERVICES

FRIEDHELM LOH GROUP

