

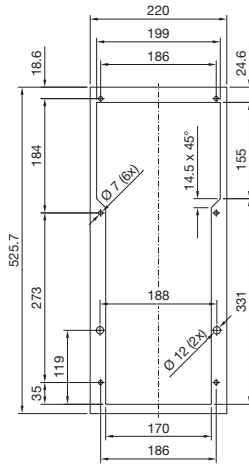
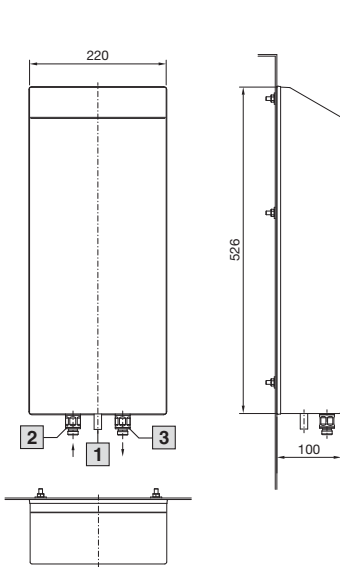
Climate Control

Liquid cooling

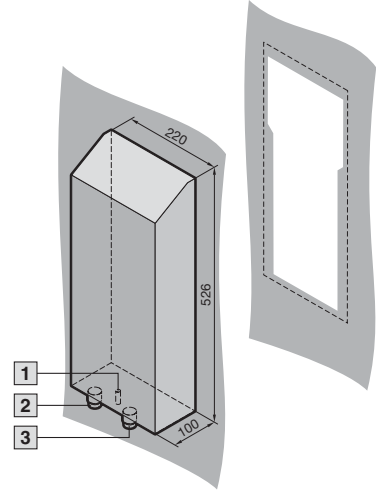
Air/water heat exchangers HD

Wall-mounted, SK 3214.700

Mounting cut-out for external mounting

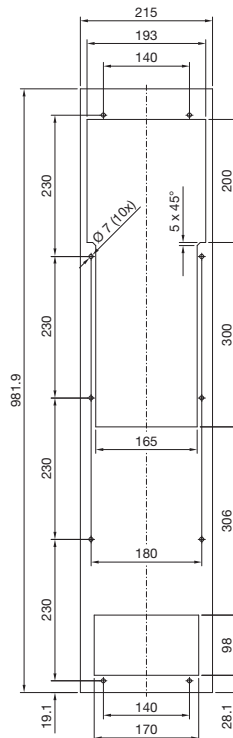
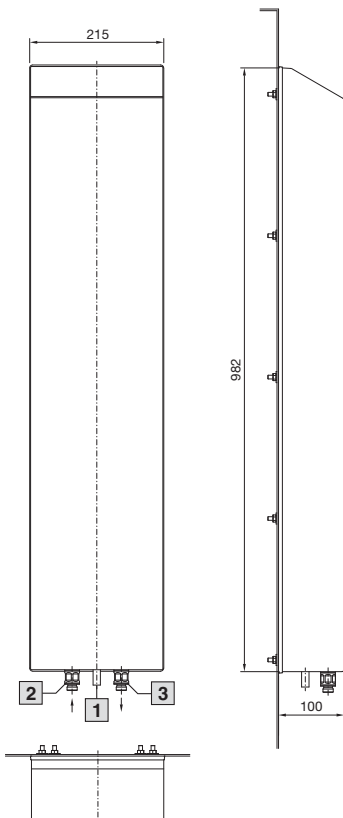


- 1 Condensate discharge
- 2 Cooling water inlet
- 3 Cooling water return



Wall-mounted, SK 3215.700

Mounting cut-out for external mounting



- 1 Condensate discharge
- 2 Cooling water inlet
- 3 Cooling water return

