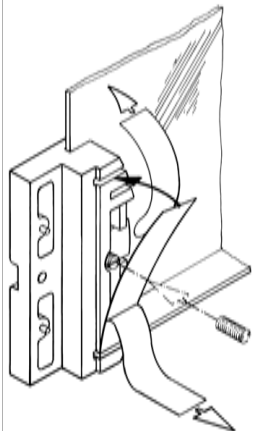
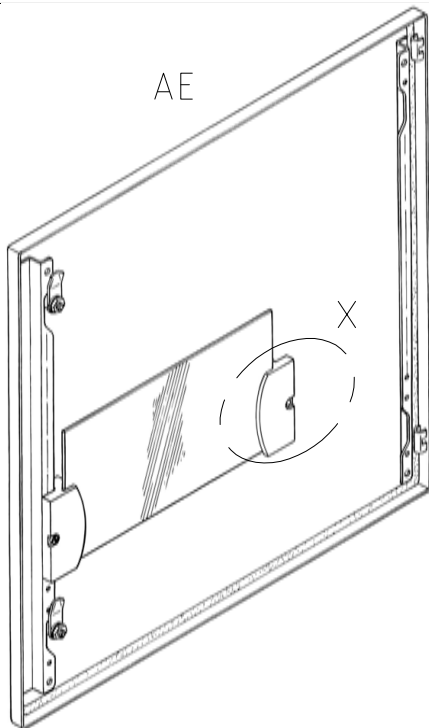


AE



X
180°

M8x14



Raum für Verpackungsdatum
Area for date of packing
(MMJJTT / MMYDD)

SZ

2514.500

2514.600

2514.800

2x



4,8x16

2x

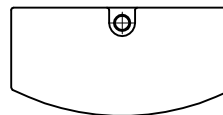


M8x14

2x



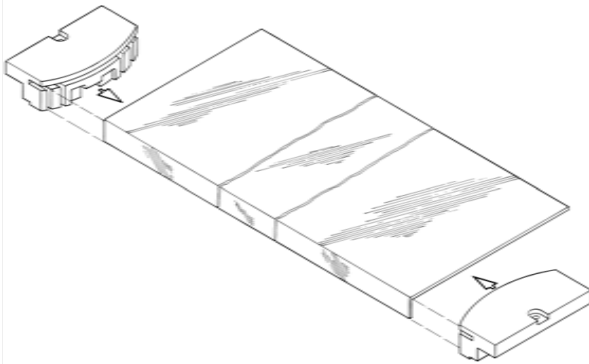
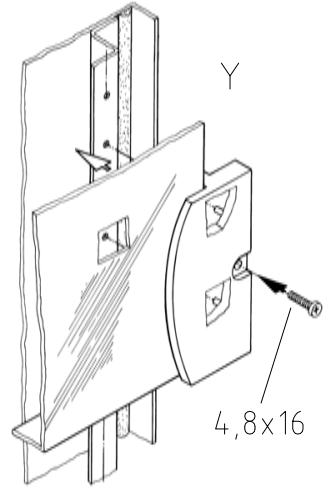
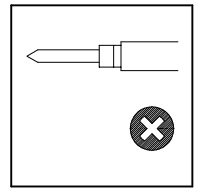
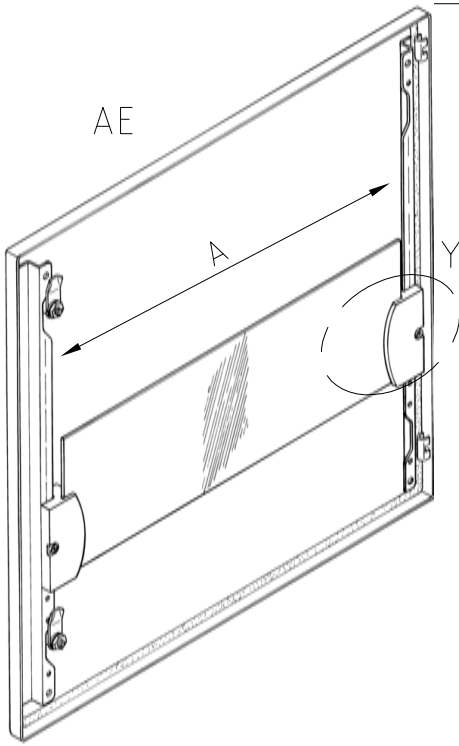
2x



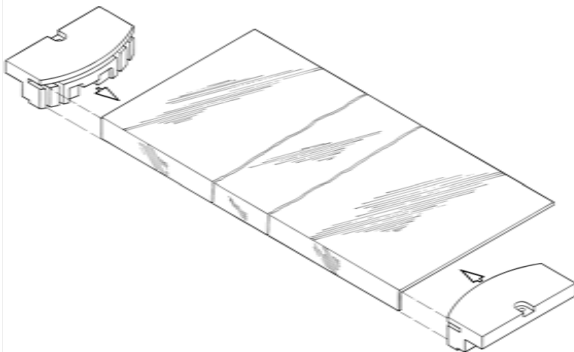
Zchnng.-Nr. / No. of dwg. : A2853200SZ

Versandbeutel-Nr. / No. of accessory bag : 288053

Lieferanten-Nr. / No. of supplier :



$A = 423, 500, 700$



$A = 436$

