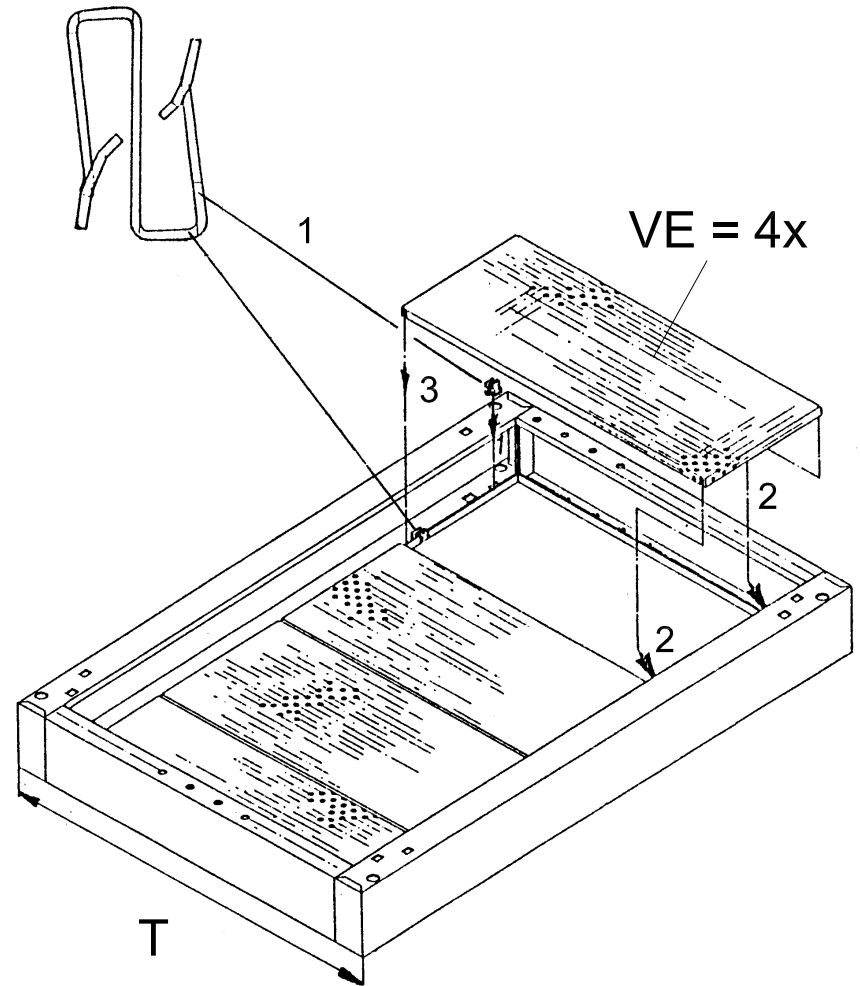
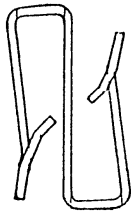




SO  
2907.000  
2908.000  
2913.000

16x



SO 2907.000, T = 350  
SO 2908.000, T = 450  
SO 2913.000, T = 550

Zchnng.-Nr. / No. of dwg. : A0594701SO

Versandbeutel-Nr. / No. of accessory bag :268994

Lieferanten-Nr. / No. of supplier :