



ENCL. ACC.
E491171
Type 1, 3R

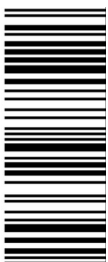
SZ

2459.000

Condensate discharge
Only for use with Rittal
AX / KX series products

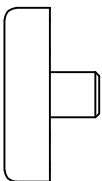


www.rittal.com

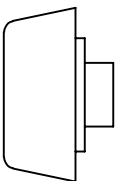


4028177023741

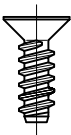
6x



6x



6x

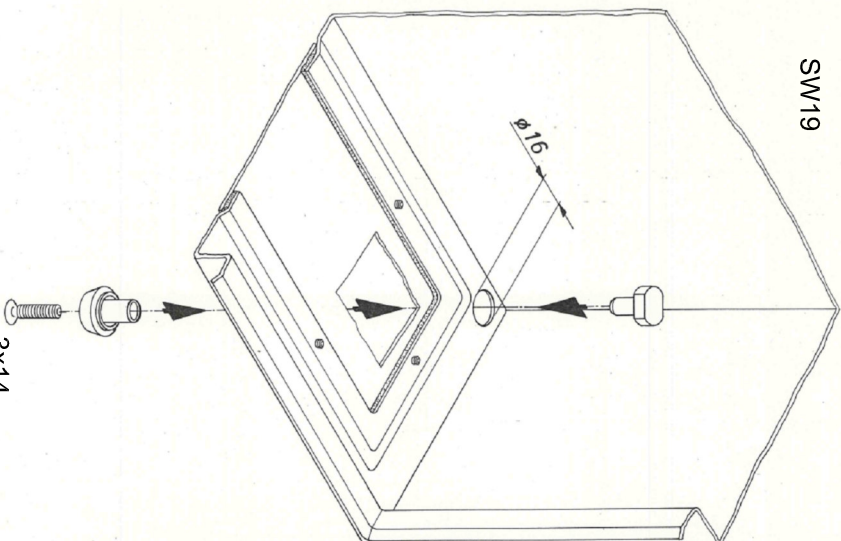


3x14

Zehng.-Nr. / No. of dwg. : A0850802SZ
Versandbeutel-Nr. / No. of accessory bag : -
Lieferanten-Nr. / No. of supplier :

RITTAL GmbH & Co. KG, Auf dem Stuetzelberg, 35745 Herborn
RITTAL Limited, Braithwell Way, Hellaay, Rotherham, S66 8QY, UK

SW19



3x14
 $M_A = 0,5Nm$