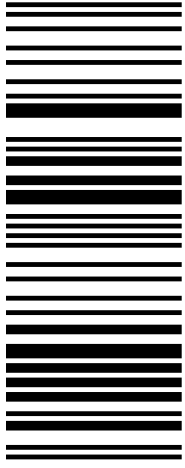


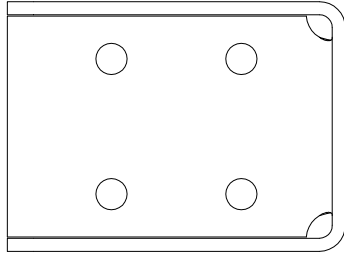


TS
8801.000

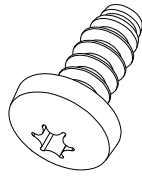


4028177516977

2x



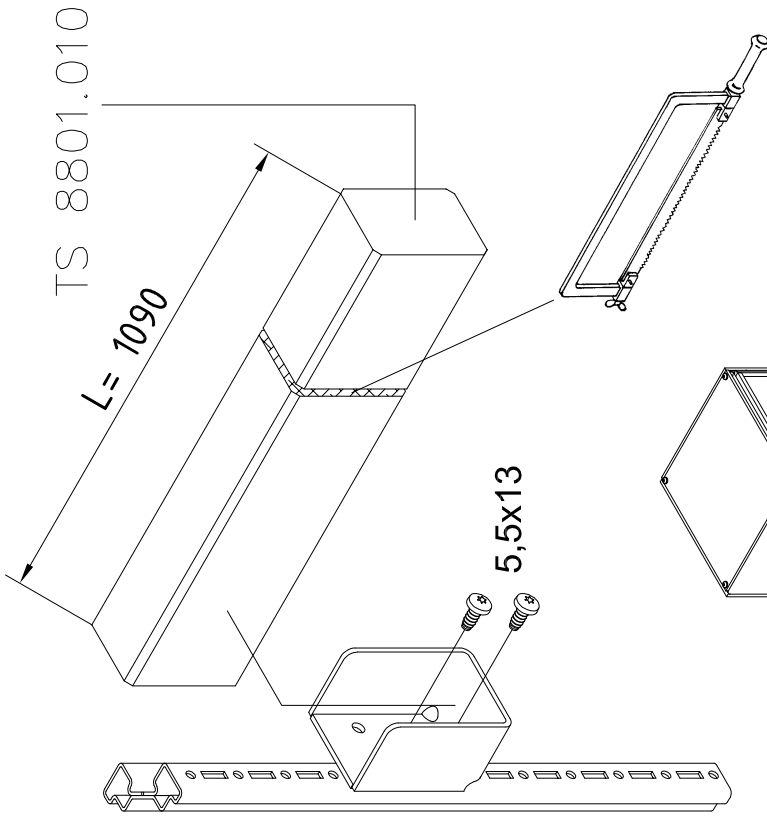
4x



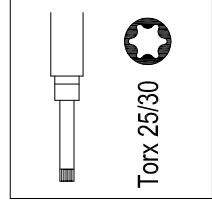
5,5x13

Zchnng.-Nr. / No. of dwg. : A3573802TS
Versandbeutel-Nr. / No. of accessory bag :-

Made in xxxx
Lieferanten-Nr. / No. of supplier :



| B | L |
|------|------|
| 600 | 490 |
| 800 | 690 |
| 1000 | 890 |
| 1200 | 1090 |



Torx 25/30