



VX

8100.770

12x



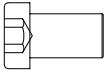
M12

16x



A13

4x

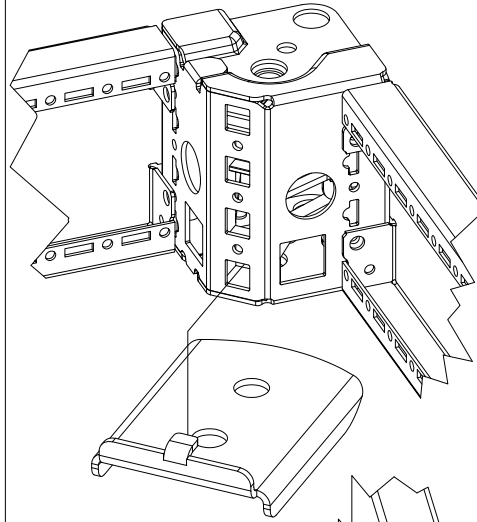


M12x20

Zchnng.-Nr. / No. of dwg. : A08282903VX

Versandbeutel-Nr. / No. of accessory bag : 375334

Lieferanten-Nr. / No. of supplier :



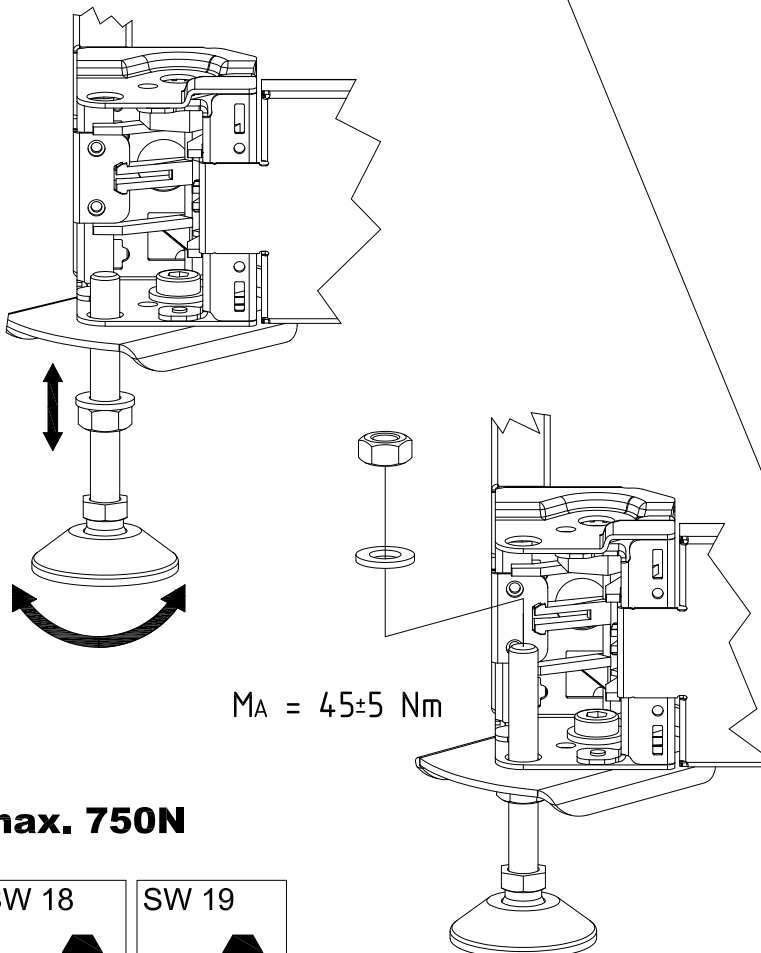
SW 19



SW 8



MA = 45±5 Nm



MA = 45±5 Nm

max. 750N

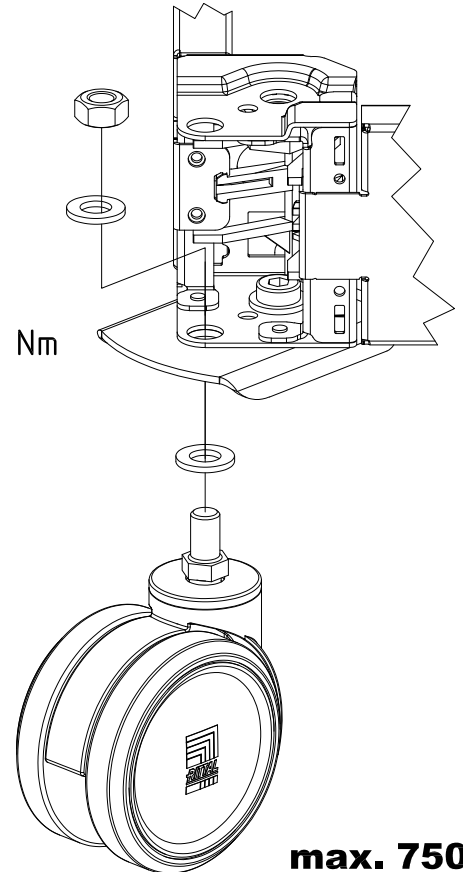
SW 18



SW 19



MA = 45±5 Nm



max. 750N

SW 17



SW 19

