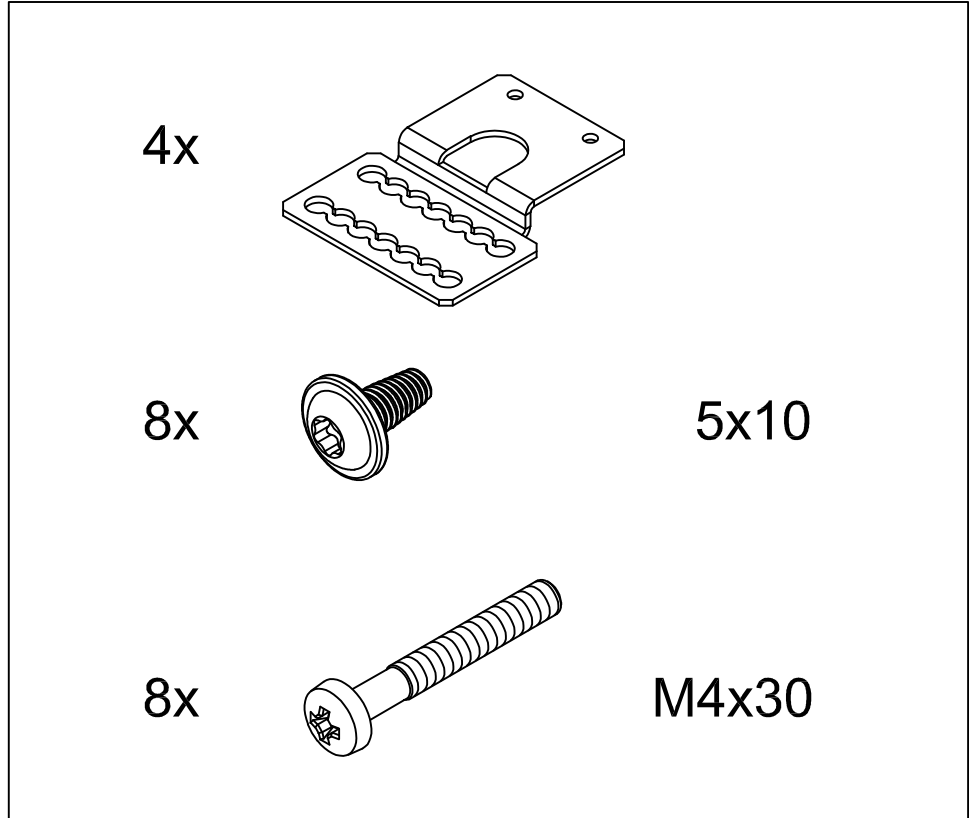
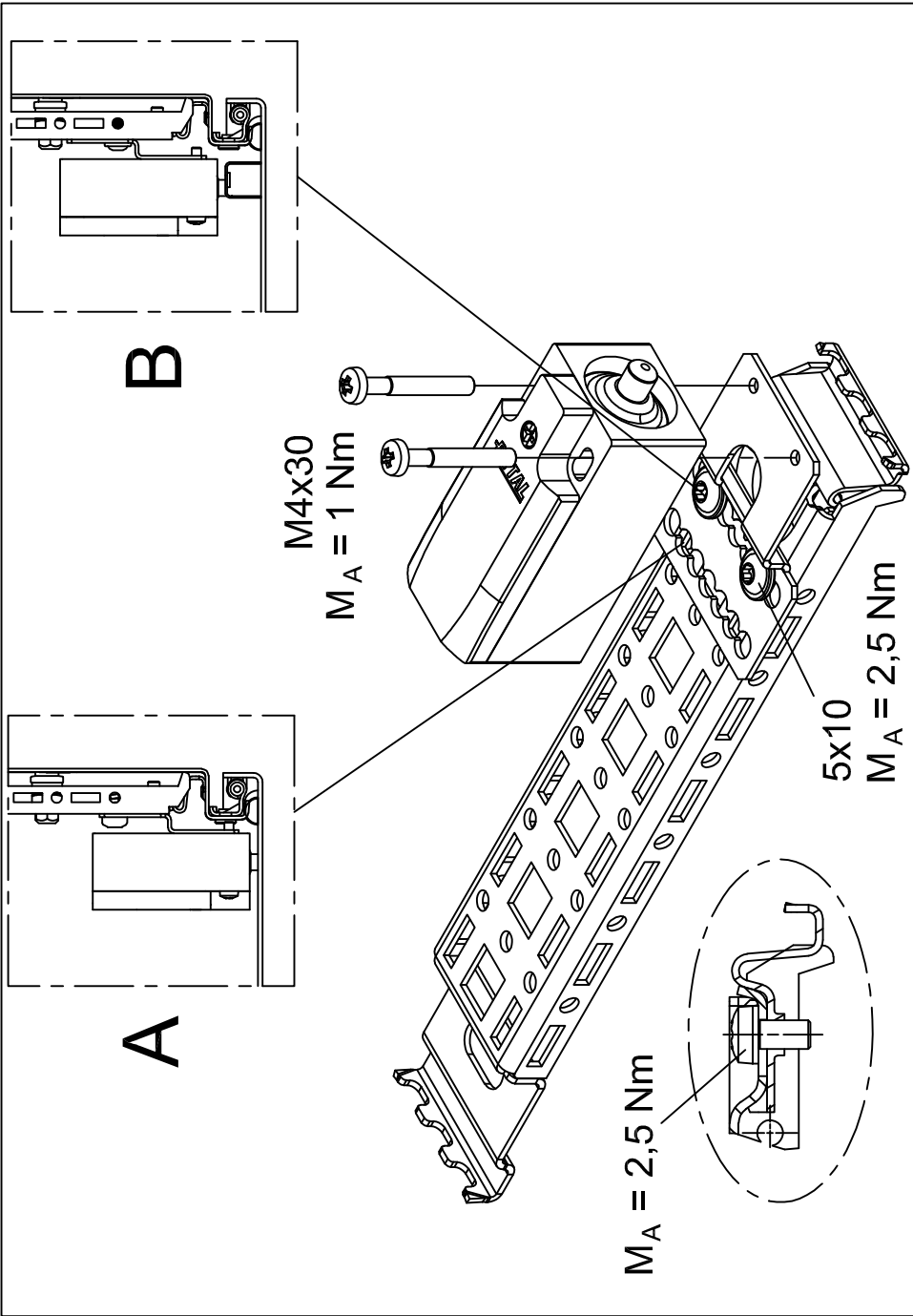




www.rittal.com

AX

2393.210
2393.250
2393.300
2393.350
2393.400



Dok.-Nr. / No. of doc.: A08727602AX
Versandbeutel-Nr. / No. of accessory bag: 374039
Lieferanten-Nr. / No. of supplier:

