

Rittal – The System.

Faster – better – worldwide.

▶ RITTAL – Outdoor enclosures



ENCLOSURES

POWER DISTRIBUTION

CLIMATE CONTROL

IT-INFRASTRUCTURE

SOFTWARE & SERVICES



FRIEDHELM LOH GROUP

CS wall-mounted enclosures



Outdoor enclosures for wall or pole mounting. Enclosure-within-an-enclosure concept, outer enclosure with cut-out at the bottom and integrated louvres on the rear panel and side panels for ventilation.

Material:

- Enclosure: Aluminium AlMg3
- Mounting plate: Sheet steel, zinc-plated

Surface finish:

- Powder-coated
- UV-resistant pure polyester

Colour:

RAL 7035

Protection category:

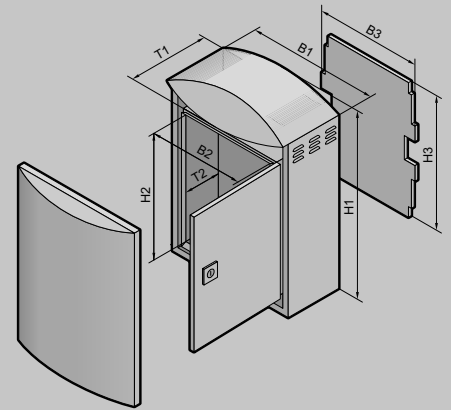
IP 55 to IEC 60 529

Supply includes:

- Double-walled outdoor enclosure, fully preconfigured:
- Inner enclosure with mounting plate, gland plate and security lock (CS 9791.045 with 2 security locks)
 - Mounting bracket for thermostat or hygrostat
 - Outer enclosure with designer cover and security lock 3524 E

Detailed drawings:

Available on the Internet.



Twin-walled

Outer enclosure						
Width (B1) mm	Packs of	370	420	530	630	Page (HB33)
Height (H1) mm		522	560	700	780	
Depth (T1) mm		210	210	265	380	
Inner enclosure						
Width (B2) mm		300	350	460	580	
Height (H2) mm		400	440	565	580	
Depth (T2) mm		170	170	220	333	
Clearance width mm		280	330	440	560	
Clearance height mm		380	420	545	560	
Clearance depth mm		145	145	195	308	
Mounting plate width (B3) mm		270	320	430	550	
Mounting plate height (H3) mm		380	410	535	550	
Model No. CS	1	9791.015	9791.025	9791.035	9791.045	
Accessories						
Wall mounting bracket	4	9765.120	9765.120	9765.120	9765.120	629
Pole clamp	1 set	2584.000	2584.000	2584.000	2584.000	629
Enclosure heaters, for example	1	3105.330	3105.330	3105.330	3105.330	471
Enclosure internal thermostat	1	3110.000	3110.000	3110.000	3110.000	476
Hygrostat	1	3118.000	3118.000	3118.000	3118.000	476
Socket	2	2506.100	2506.100	2506.100	2506.100	698
LED system light	1	4140.810	4140.810	4140.820	4140.820	682
LED connection cable	1	4315.800	4315.800	4315.800	4315.800	683
Adaptor power pack	1	4315.860	4315.860	4315.860	4315.860	683

CS New Basic enclosures



Single-walled and two-door, width: 1200 mm

Width (B1) mm	Packs of	1200	1200	1200	Page (HB33)
Height (H1) mm		1200	1200	1200	
Depth (T1) mm		400	500		
Clearance width (B2) mm		512	512		
Clearance height (H2) mm		1112	1112		
Clearance depth (T2) mm		349	449		
Rain canopy width (B3) mm		1250	1250		
Rain canopy height (H3) mm		55	55		
Rain canopy depth (T3) mm		450	550		
Base/plinth height (H4) mm		100	100		
Overall height (H5) mm		1355	1355		
Model No. CS	1	9784.620	9784.520	9784.640	9784.540
Without centre bar, overlapping doors		■	–	■	–
With removable centre bar, 2 lockable doors		–	■	–	■
Accessories					
Plinth, hot galvanized height 1 m	1	FI9765.089KS	FI9765.086KS		
Gland plate, divided	1 set	2 x 9785.511	2 x 9785.514		566
Cable entry plates	2	8800.060	8800.060		701
Mounting plate for one half of the enclosure	1	9765.092	9765.092		639
Mounting plate, full installation	1	9765.191	9765.191		639
Mounting angles, 482.6 mm (19°)	2	7688.000	7688.000		743
Installation kit for mounting angles	2	7696.000	7696.000		743
Enclosure heaters, for example	1	3105.410	3105.410		471
Enclosure internal thermostat	1	3110.000	3110.000		476
Semi-cylinder	1	9785.040	–	9785.040	–
	2	–	9785.042	–	9785.042



Climate control Page 467 Rail systems Page 644 in HB33

Outdoor enclosure with 100 mm transport plinth and rain canopy with projections on all sides. Side panels, rear panel and door fully double-walled on the outside, the entire TS 8 frame is available for interior installation.

Material:

- Enclosure frame: Stainless steel 1.4301 (AISI 304)
- Enclosure panels and base/ plinth trim: Aluminium, AlMg3

Surface finish:

- Powder-coated
- UV-resistant pure polyester

Colour:

RAL 7035

Protection category:

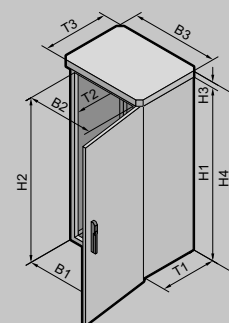
IP 55 to IEC 60 529

Supply includes:

- Double-walled outdoor enclosure, fully pre-configured:
- TS 8 frame with 25 mm system punchings in the roof and base frame plus vertical sections with two mounting levels
 - Front door with door stay, swing lever handle and semi-cylinder, lock BJ20027
 - Side panels left and right
 - Rear panel
 - Rain canopy
 - Base/plinth with screwfastened gland plates and screw-fastened trim panels front and rear
 - All enclosure panels are doubled and earthed (external wall onto internal wall)

Detailed drawings:

Available on the Internet.



Double-walled, platform TS 8

Width (B1) mm	Packs of	600	800	600	800	Page (HB33)
Height (H1) mm		1200	1200	1600	1600	
Depth (T1) mm		600	600	600	600	
Clearance width (B2) mm		512	712	512	712	
Clearance height (H2) mm		1112	1112	1512	1512	
Clearance depth (T2) mm		512	512	512	512	
Rain canopy width (B3) mm		694	694	694	694	
Rain canopy height (H3) mm		45	45	45	45	
Rain canopy depth (T3) mm		694	694	694	694	
Overall height (H4) mm		1345	1345	1745	1745	
Model No. CS	1	9774.105	9774.205	9774.305	9774.405	

Accessories

Plinth, hot galvanized height 1 m	1	XFI9765.071KS	XFI9765.072KS	XFI9765.071KS	XFI9765.072KS	
Mounting angles, 482.6 mm (19')	2	7827.120	7827.120	7827.160	7827.160	739
TS punched section with mounting flange as installation kit	4	8612.060	–	8612.060	–	647
Installation bracket TS	2	–	7827.480	–	7827.480	746
Mounting plate	1	9765.092	9765.095	–	9765.096	639
Gland plate	Size	4	4	4	4	From 704
	Qty.	2	2	2	2	
Semi-cylinder	1	9785.040	9785.040	9785.040	9785.040	604
Cooling unit, 1000 W	1	–	9776.500	–	9776.500	468
Heat exchanger, 85 W/K	1	–	9776.102	–	9776.102	468
Enclosure heaters, for example		3105.410	3105.410	3105.410	3105.410	471

Rittal – The System.

Faster – better – worldwide.

- Enclosures
- Power Distribution
- Climate Control
- IT Infrastructure
- Software & Services
- Outdoor enclosures & containers

Rittal Oy
Valimotie 35 • PL 134 • 01510 Vantaa
Telephone (09) 413 44 00 • Fax (09) 413 444 10
E-mail: myynti@rittal.fi • www.rittal.fi

ENCLOSURES

POWER DISTRIBUTION

CLIMATE CONTROL

IT-INFRASTRUCTURE

SOFTWARE & SERVICES

FRIEDHELM LOH GROUP

