

Rittal – The System.

Faster – better – worldwide.



Floor Stand Kit

- | | |
|---------|---------|
| 9963522 | 9963528 |
| 9963523 | 9963529 |
| 9963524 | 9963530 |
| 9963525 | 9963546 |
| 9963526 | |
| 9963527 | |

Assembly and operating instructions

ENCLOSURES

POWER DISTRIBUTION

CLIMATE CONTROL

IT INFRASTRUCTURE

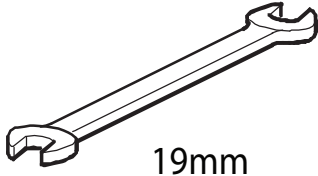
SOFTWARE & SERVICES

FRIEDHELM LOH GROUP



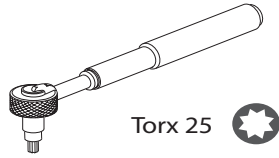
Required Tools / Hardware

Required Tools (not provided)



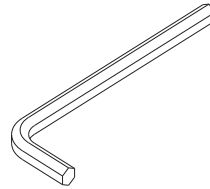
19mm

WRENCH 19MM

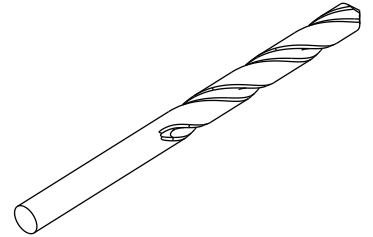


Torx 25

TORX DRIVER

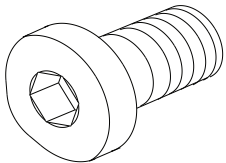


10mm ALLEN WRENCH

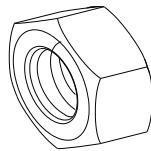


14.00mm Drill bit

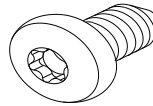
Hardware (provided)



M12 x 20 Bolt (Qty 8)



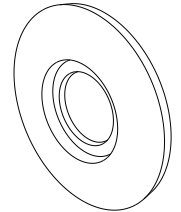
M12 Nut (Qty 4)



Screw 5.5 x 13
Pan Torx (Qty 4)

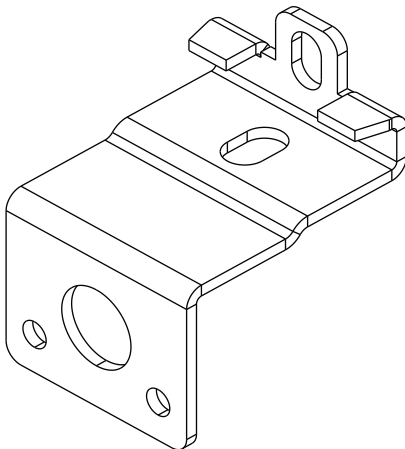


O-RING EPDM BLACK
10MM IDX3.0MM (Qty 8)

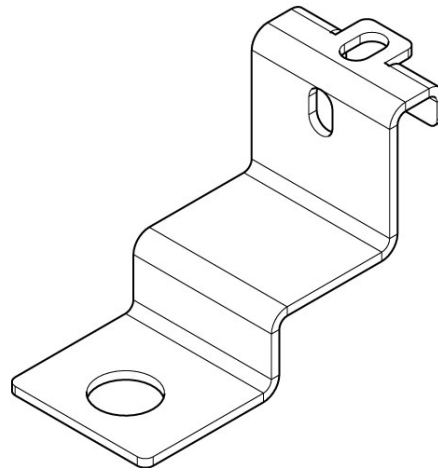


WASHER 7/16 ID 1 OD
BONDED (Qty 8)

Components (provided)



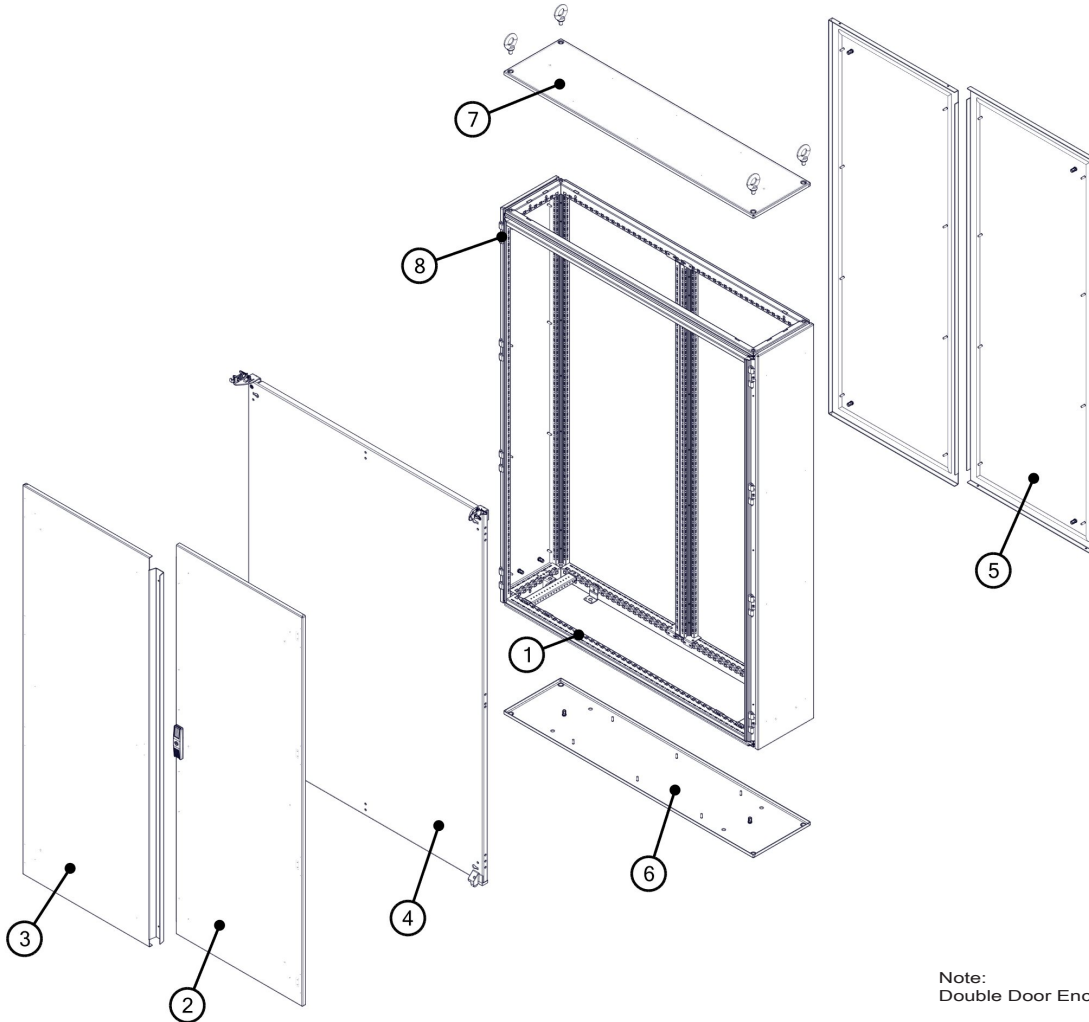
TS Bracket Base Assembly (Qty 4)



VX Bracket Base Assembly (Qty 4)

Enclosure Component Overview

TS ENCLOSURE / Single Door / Double Door

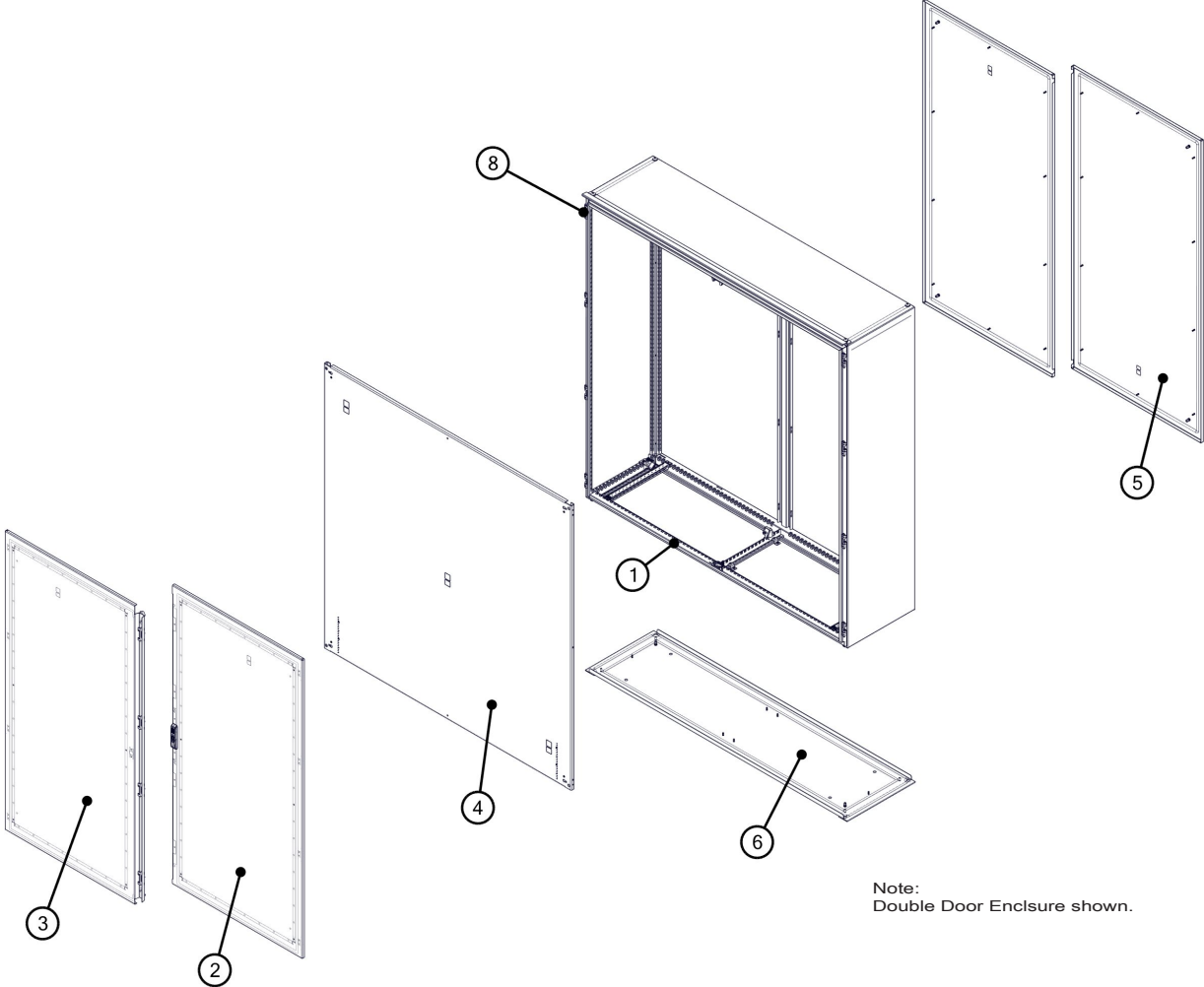


Note:
Double Door Enclosure shown.

- | | | | |
|---|----------------|---|----------|
| ① | Frame | ⑤ | Rearwall |
| ② | Master Door | ⑥ | Base pan |
| ③ | Slave Door | ⑦ | Base pan |
| ④ | Mounting Panel | ⑧ | Hinges |

Enclosure Component Overview

VX SE ENCLOSURE / Floor Mount / Double Door



Note:
Double Door Enclosure shown.

- ① Frame
- ② Master Door
- ③ Slave Door
- ④ Mounting Panel
- ⑤ Rearwall
- ⑥ Base pan
- ⑦ Base pan
- ⑧ HingesHinges

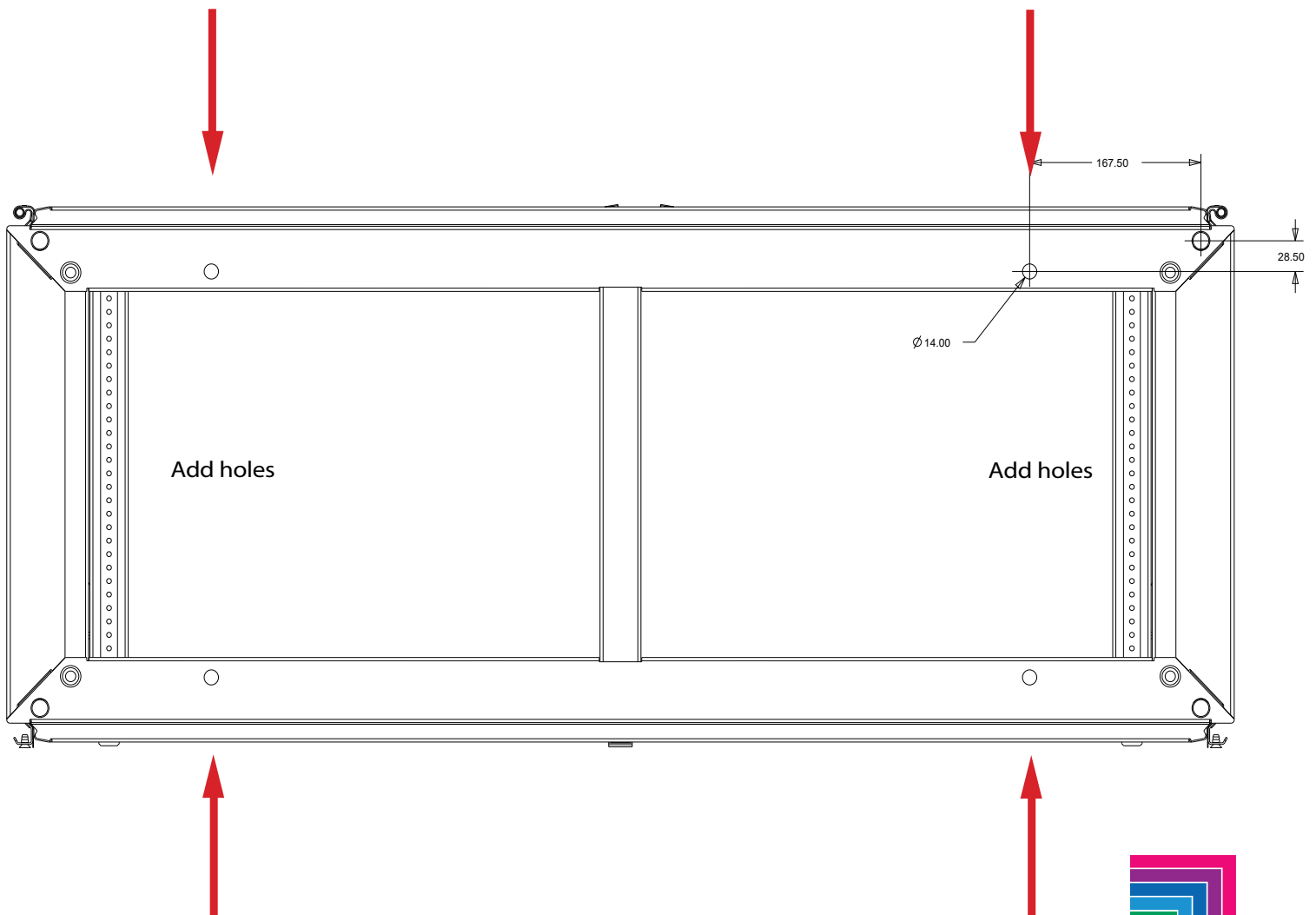
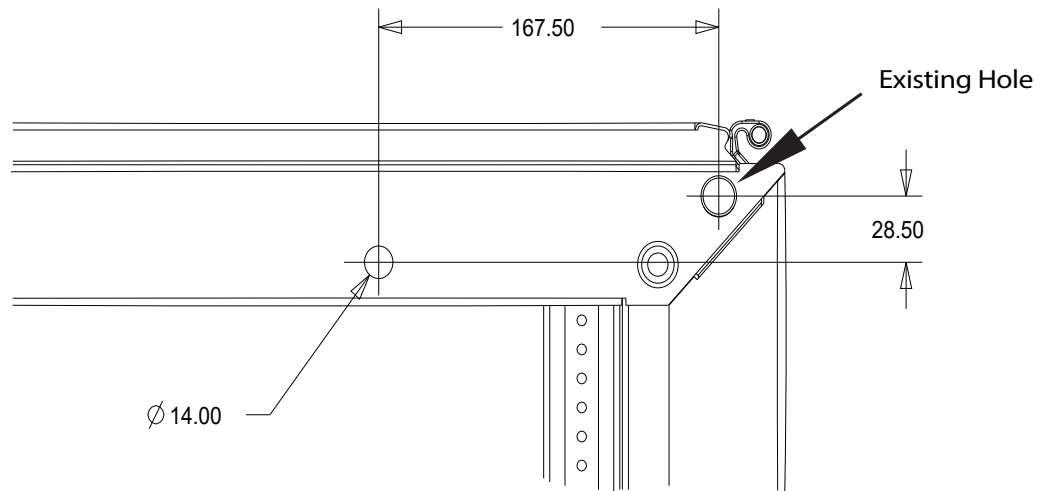


Modification of TS enclosure \ Drill pattern \UL Type 12/ 3R & 4/ 4X

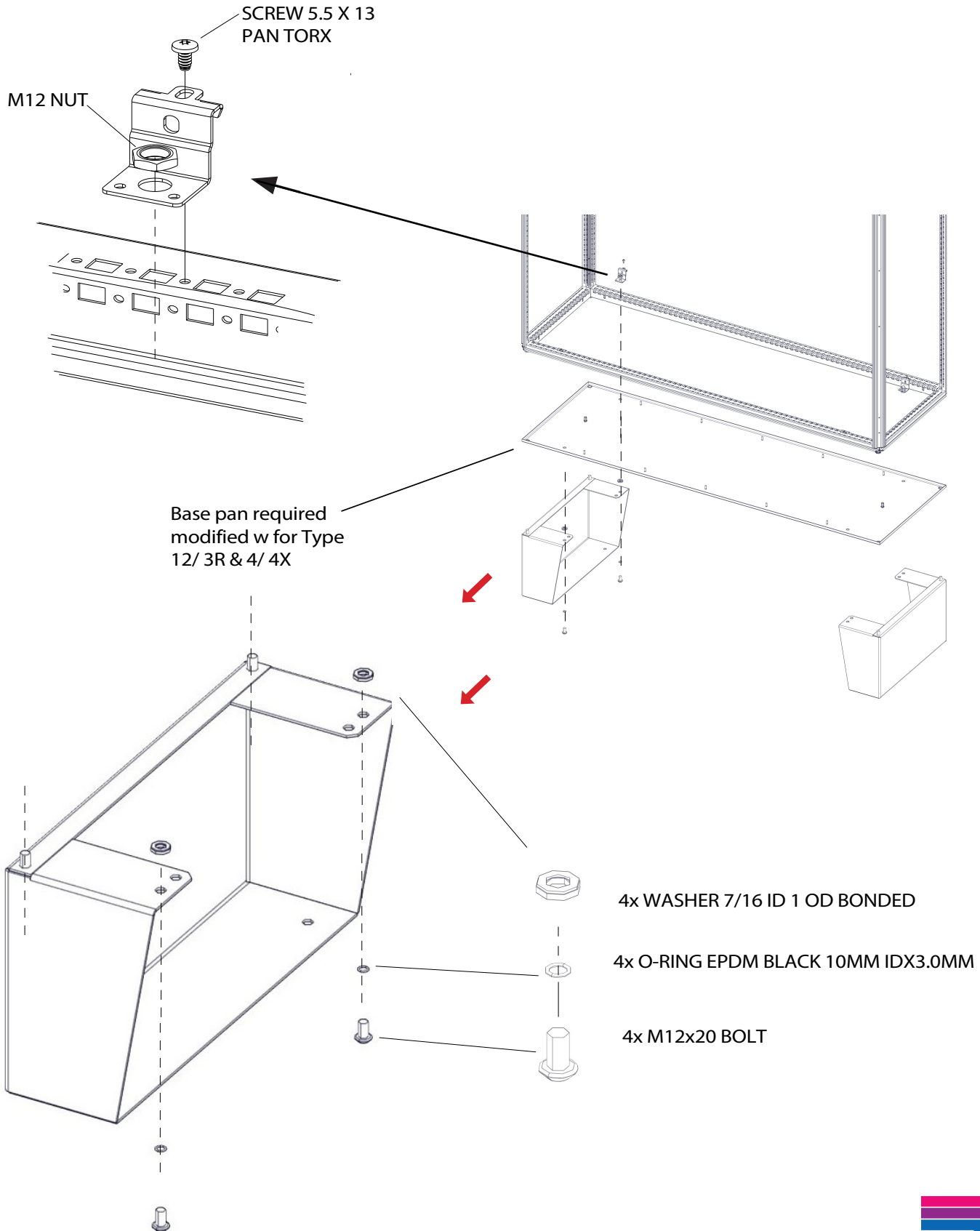
Note:

Drill holes for assembly of leg stands per instructions

UL Type 4/ 4X enclosure requires drill hole pattern locations in base pan.

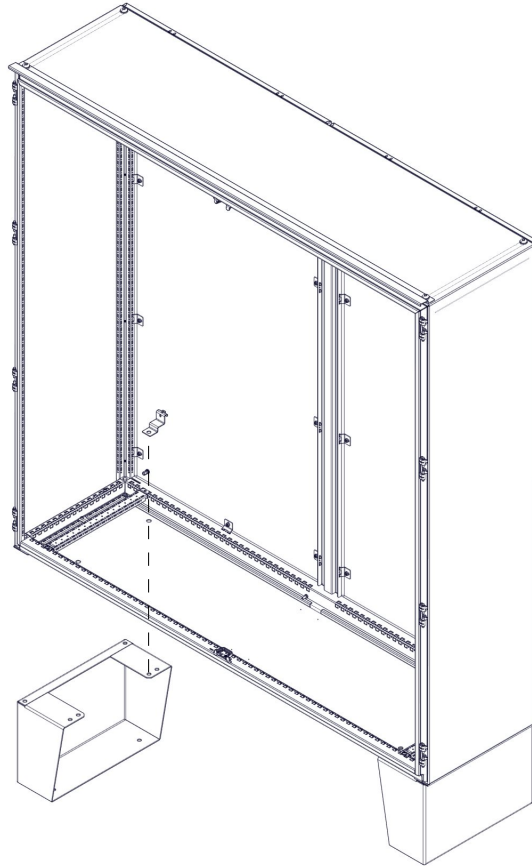


Installation of leg stands for TS \UL Type 12/3R & 4/ 4X enclosure



Installation of leg stands for VX SE \ UL Type 12/3R Floor Mount Enclosure

Note:
Remove plugs from pre-drilled holes for installation



Rittal – The System.

Faster – better – worldwide.

- Enclosures
- Power Distribution
- Climate Control
- IT Infrastructure
- Software & Services

The Rittal Corporation is the U.S. subsidiary of Rittal GmbH & Co. KG and manufactures the world's leading industrial and IT enclosures, racks and accessories, including climate control and power management systems for industrial, data center, outdoor and hybrid applications. For more information about Rittal and its products, please visit www.rittal-corp.com or call 1-800-477-4000.

Rittal Corporation
1 Rittal Place • Urbana Ohio 43078 • USA
Phone: 937-399-0500 • Fax: 800-477-4003 • Toll-free: 800-477-4000
Email: rittal@rittal.us • Online: www.rittal.us

Rittal Systems Ltd.
6485 Ordan Drive • Mississauga Ontario L5T 1X2 • Canada
Phone: 905-795-0777 • Fax: 905-795-9548 • Toll-free: 800-399-0748
Email: marketing@rittal.ca • Online: www.rittal.ca



ENCLOSURES

POWER DISTRIBUTION

CLIMATE CONTROL

IT INFRASTRUCTURE

SOFTWARE & SERVICES