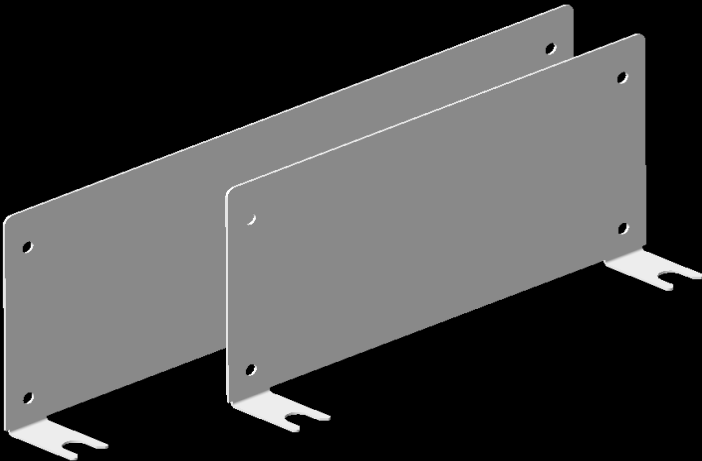


Rittal – The System.

Faster – better – worldwide.

TS IT PRO ROOF
CABLE DUCT
END CAP

9982238



Assembly and operating instructions

ENCLOSURES

POWER DISTRIBUTION

CLIMATE CONTROL

IT INFRASTRUCTURE

SOFTWARE & SERVICES

FRIEDHELM LOH GROUP



Safety



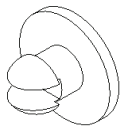
Intended use:
Accessory for management of cables.

Parts list

Note: General hardware list, Components vary based on kit.

<u>Object Description</u>	<u>Quantity</u>
END CAP FRONT	2
END CAP REAR	2
FASTENER TOOLESS BLK REF P/N PIF70	8

Hardware (provided)



FASTENER TOOLESS BLK REF P/N PIF70

Tools Required



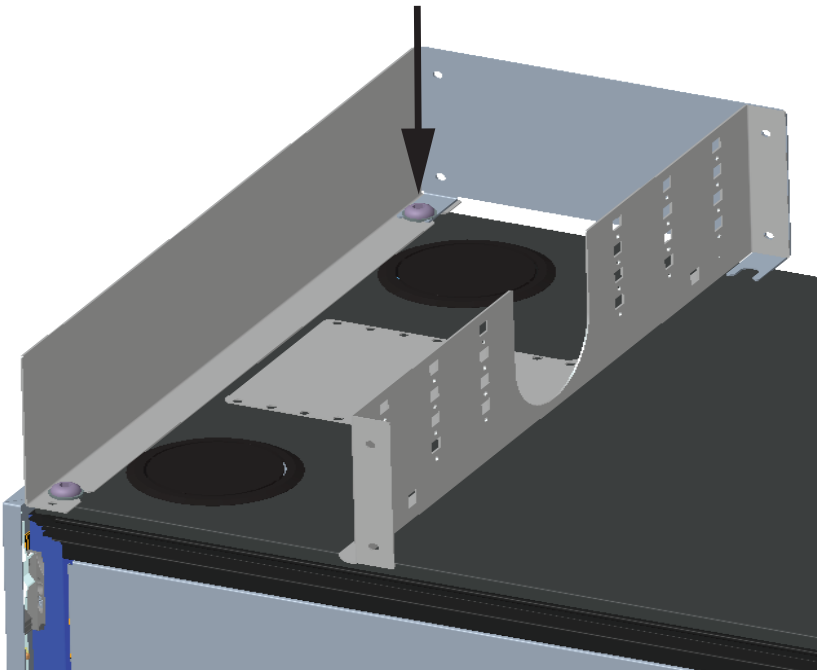
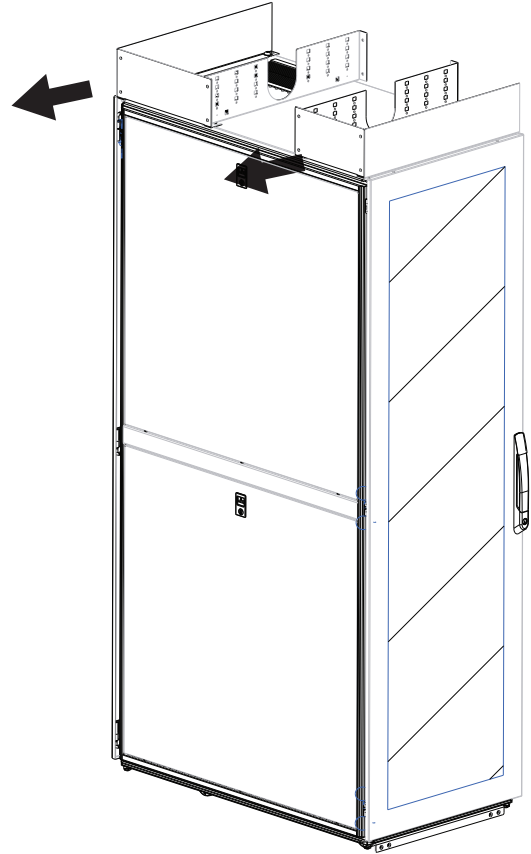
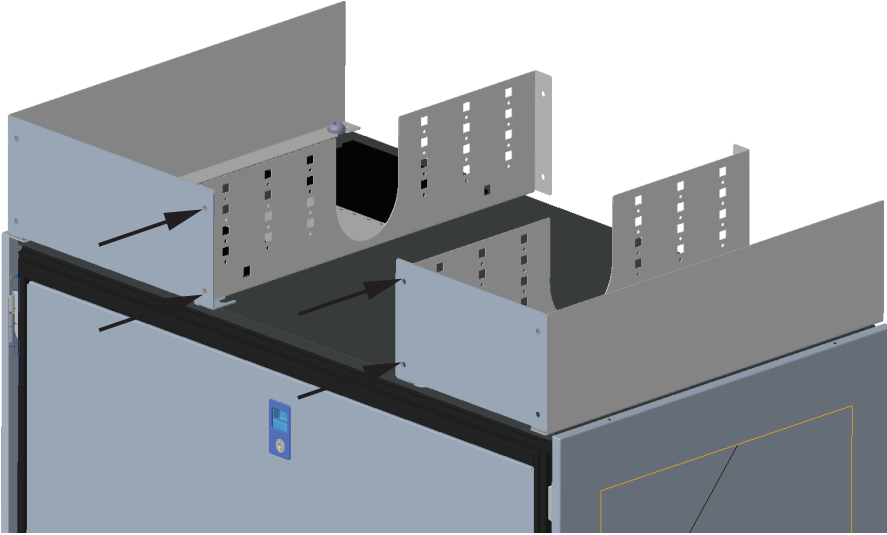
Ratchet Wrench,
1/4" Square Drive



3/8 in. Drive 10 mm
Hex Bit Socket

TS IT PRO ROOF CABLE DUCT END CAP

1. ALIGN CABLE DUCT END CAP WITH END OF CABLE TRAY.
2. USE HARDWARE THAT IS PROVIDED IN KIT TO ATTACH CABLE DUCT END CAP .
3. LOSEN ROOF SCREW AND SLIDE END CAP AND RETIGHTEN.



ROOF CABLE DUCT END CAP INSTALLATION INSTRUCTIONS 600W CONFIGURATION

Rittal – The System.

Faster – better – worldwide.

- Enclosures
- Power Distribution
- Climate Control
- IT Infrastructure
- Software & Services

The Rittal Corporation is the U.S. subsidiary of Rittal GmbH & Co. KG and manufactures the world's leading industrial and IT enclosures, racks and accessories, including climate control and power management systems for industrial, data center, outdoor and hybrid applications. For more information about Rittal and its products, please visit www.rittal-corp.com or call 1-800-477-4000.

Rittal Corporation
1 Rittal Place • Urbana Ohio 43078 • USA
Phone: 937-399-0500 • Fax: 800-477-4003 • Toll-free: 800-477-4000
Email: rittal@rittal-corp.com • Online: www.rittal-corp.com

Rittal Systems Ltd.
6485 Ordan Drive • Mississauga Ontario L5T 1X2 • Canada
Phone: 905-795-0777 • Fax: 905-795-9548 • Toll-free: 800-399-0748
Email: marketing@rittal.ca • Online: www.rittal.ca

12/11 • US206

ENCLOSURES

POWER DISTRIBUTION

CLIMATE CONTROL

IT INFRASTRUCTURE

SOFTWARE & SERVICES



FRIEDHELM LOH GROUP