

# Rittal – The System.

Faster – better – worldwide.



TS IT PRO BOLT  
DOWN KIT  
600W & 750W

9982293  
9982294

Assembly and operating instructions

ENCLOSURES

POWER DISTRIBUTION

CLIMATE CONTROL

IT INFRASTRUCTURE

SOFTWARE & SERVICES

FRIEDHELM LOH GROUP



# Safety



Intended use:  
Accessory for bolting down cabinet to floor.

## Parts list

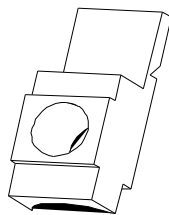
Note: General hardware list, Components vary based on kit.

<u>Object Description</u>	<u>Quantity</u>
Front bolt down	1
Rear bolt down	1
M8 cage nuts	4
M8 X 12 Hex bolt	8

### Hardware (provided)



M8 x 12 Hex bolt (8)



M8 cage nut (4)

### Tools Required

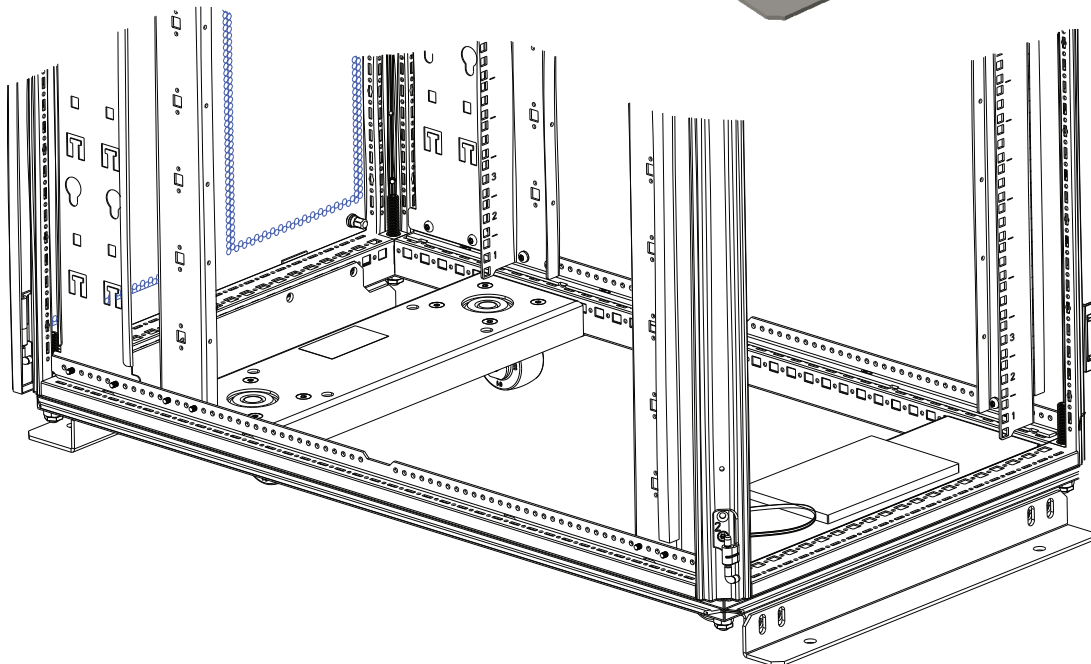
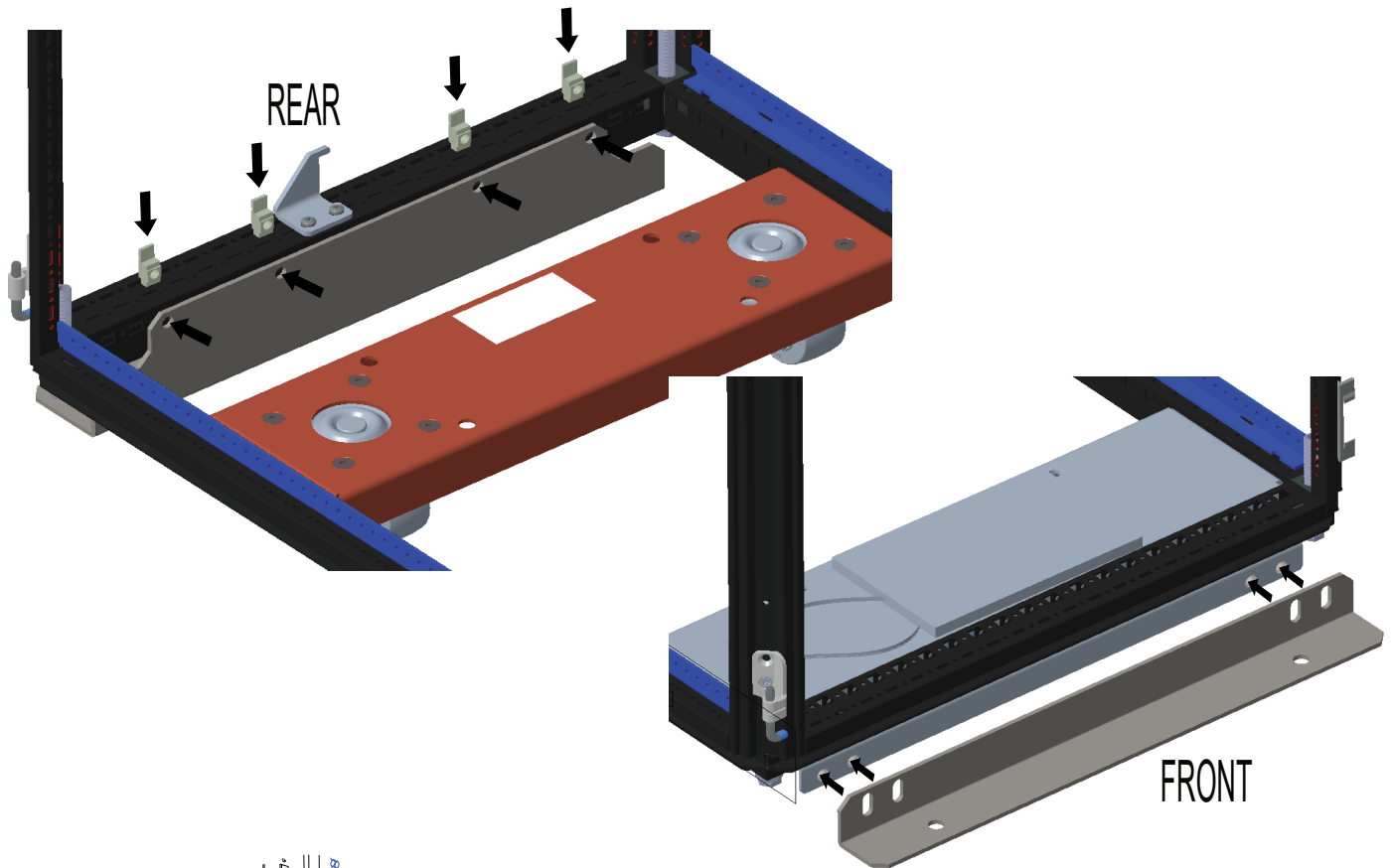


Ratchet Wrench,  
1/4" Square Drive



1/4" Drive 14mm  
Socket

1. ALIGN BOLT DOWN BRACKET WITH HOLES IN FRAME AT THE FRONT BOTTOM AND REAR BOTTOM OF RACK .
2. USE SCREWS AND CAGE NUTS THAT ARE PROVIDED IN KIT TO ATTACH TO RACK.



## BOLT DOWN INSTALLATION INSTRUCTIONS

### 600W CONFIGURATION

# Rittal – The System.

**Faster – better – worldwide.**

- Enclosures
- Power Distribution
- Climate Control
- IT Infrastructure
- Software & Services

The Rittal Corporation is the U.S. subsidiary of Rittal GmbH & Co. KG and manufactures the world's leading industrial and IT enclosures, racks and accessories, including climate control and power management systems for industrial, data center, outdoor and hybrid applications. For more information about Rittal and its products, please visit [www.rittal-corp.com](http://www.rittal-corp.com) or call 1-800-477-4000.

Rittal Corporation  
1 Rittal Place • Urbana Ohio 43078 • USA  
Phone: 937-399-0500 • Fax: 800-477-4003 • Toll-free: 800-477-4000  
Email: [rittal@rittal-corp.com](mailto:rittal@rittal-corp.com) • Online: [www.rittal-corp.com](http://www.rittal-corp.com)

Rittal Systems Ltd.  
6485 Ordan Drive • Mississauga Ontario L5T 1X2 • Canada  
Phone: 905-795-0777 • Fax: 905-795-9548 • Toll-free: 800-399-0748  
Email: [marketing@rittal.ca](mailto:marketing@rittal.ca) • Online: [www.rittal.ca](http://www.rittal.ca)

12/11 • US206

ENCLOSURES

POWER DISTRIBUTION

CLIMATE CONTROL

IT INFRASTRUCTURE

SOFTWARE & SERVICES

