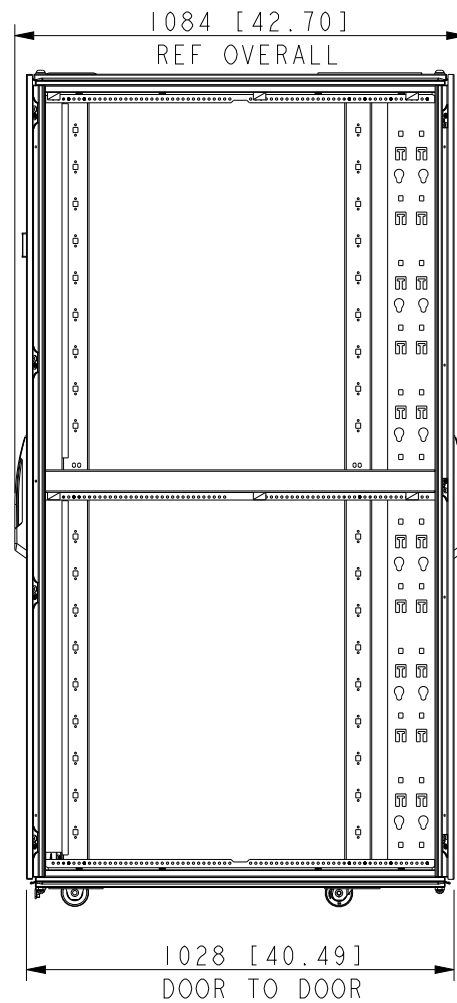
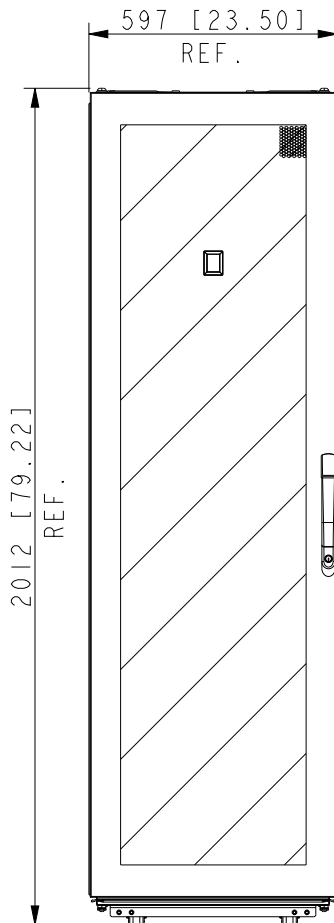
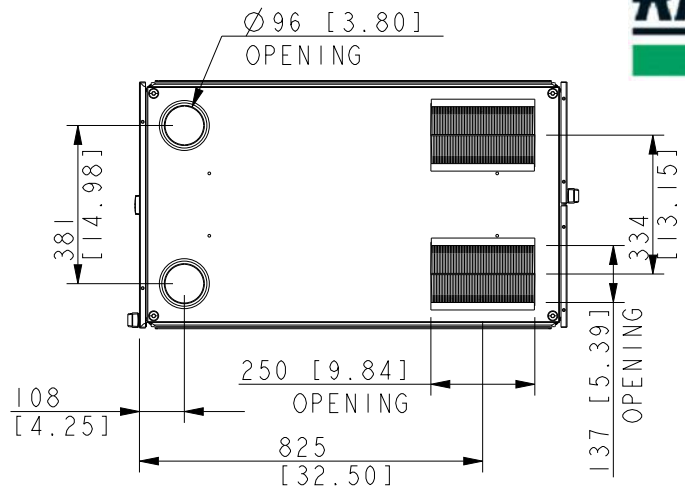


# Rittal Specification Sheet



Part Number:	9982203
Revision:	A
Description:	TS IT Pro 42Ux600Wx1070D RAL9005 BLACK WITHOUT SIDES
Rack Weight: (Unpackaged)	92kg (203lbs)



TS IT Pro Rack	
SPECIFICATION FOR: TS IT Pro 42U06500W1070D RAL9005 Without SIDES	
9982203	
RITTAL	

ALL DIMENSIONS ARE REFERENCE ONLY.

ENCLOSURES

POWER DISTRIBUTION

CLIMATE CONTROL

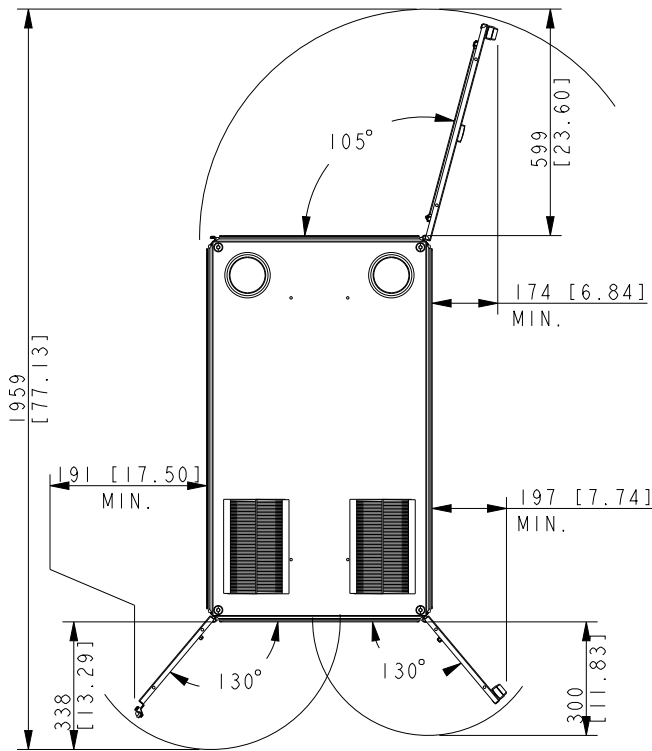
IT INFRASTRUCTURE

SOFTWARE & SERVICES

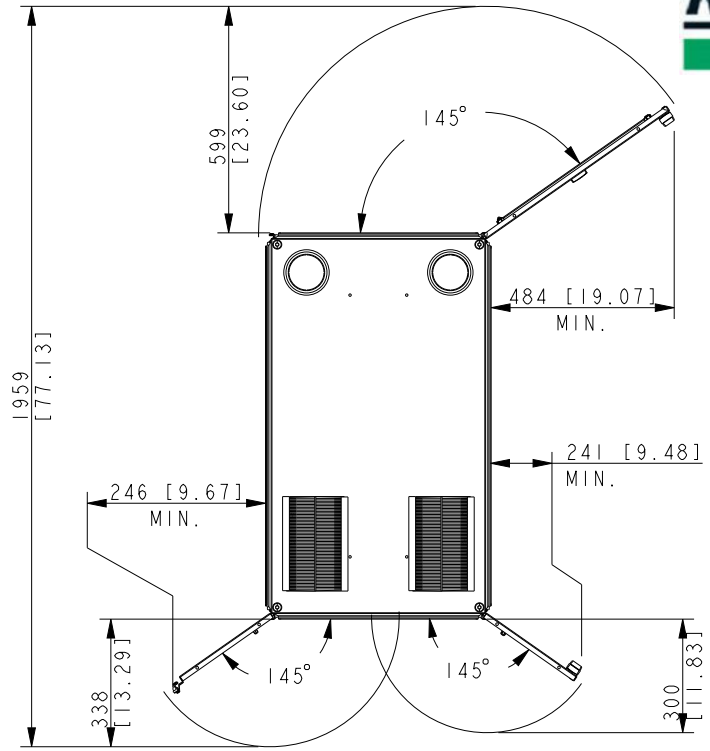


# Rittal Specification Sheet

## Door opening details

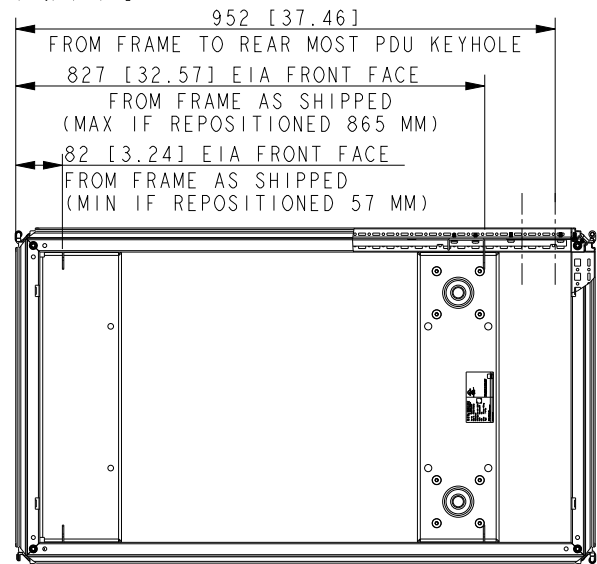
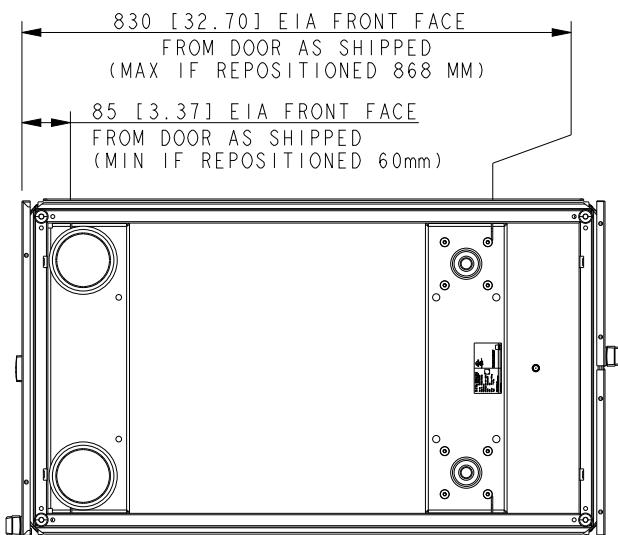


Doors maximum opening angles when bayed showing minimum required space for opening doors



Doors maximum opening angles when not bayed showing minimum required space for opening doors

## EIA rail details



TS IT Pro Rack	
SPECIFICATION FOR: TS IT Pro 42U0600W1070D RAL9005 Without SIDES	
9982203	
RITTAL	

ALL DIMENSIONS ARE REFERENCE ONLY.

ENCLOSURES

POWER DISTRIBUTION

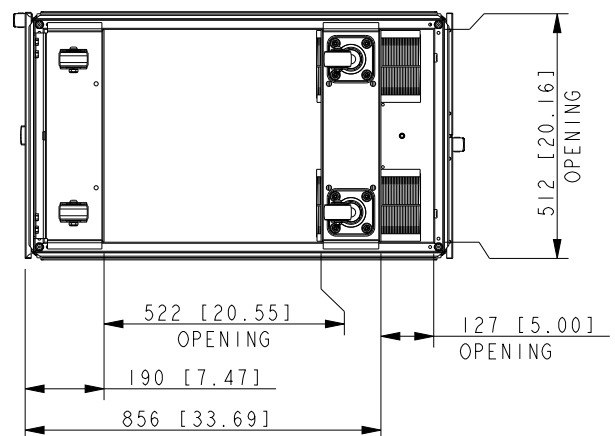
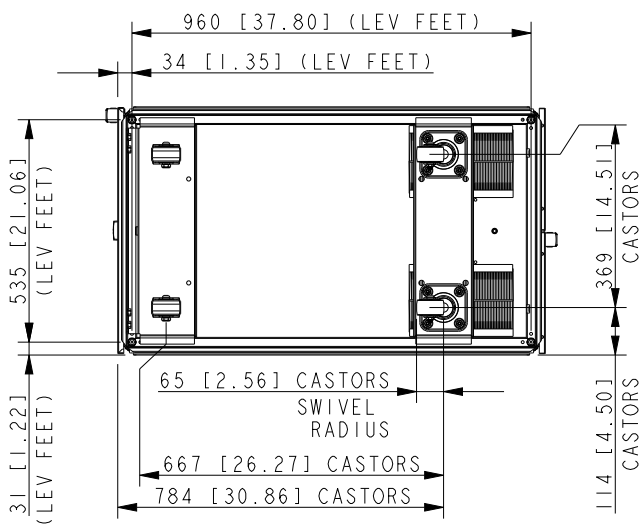
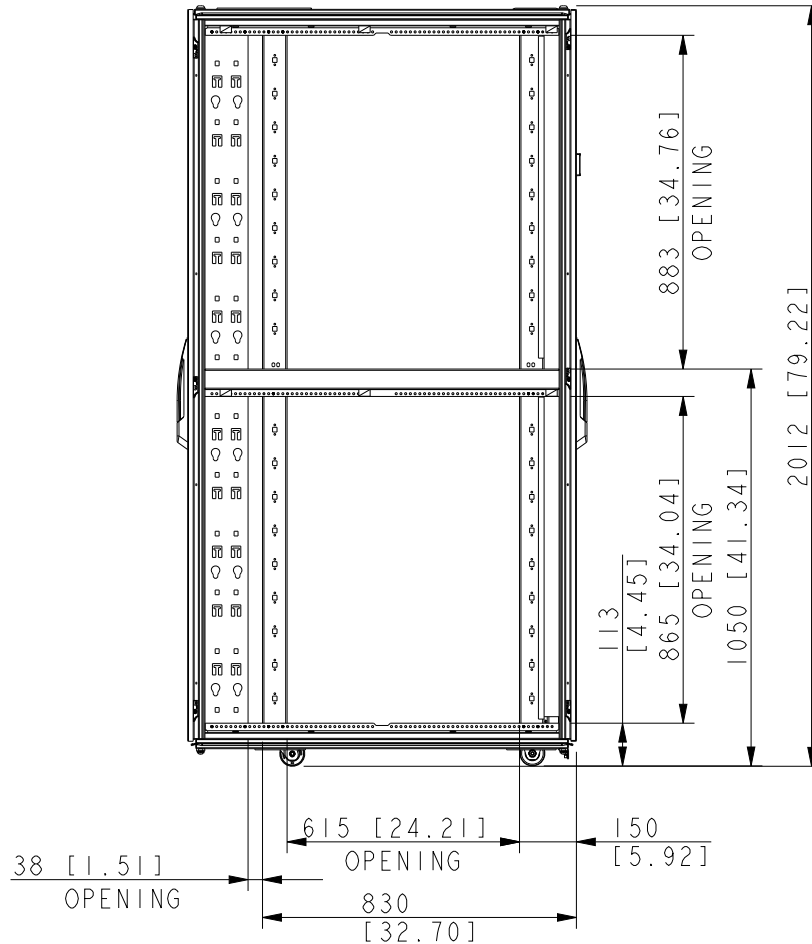
CLIMATE CONTROL

IT INFRASTRUCTURE

SOFTWARE & SERVICES



# Rittal Specification Sheet



TS IT Pro Rack	
SPECIFICATION FOR: TS IT Pro 42U0600W1070D RAL9005 Without SIDES	
9982203	
RITTAL	

VIEWS FROM BOTTOM SHOWING CASTORS AND OPENINGS

ALL DIMENSIONS ARE REFERENCE ONLY.

ENCLOSURES

POWER DISTRIBUTION

CLIMATE CONTROL

IT INFRASTRUCTURE

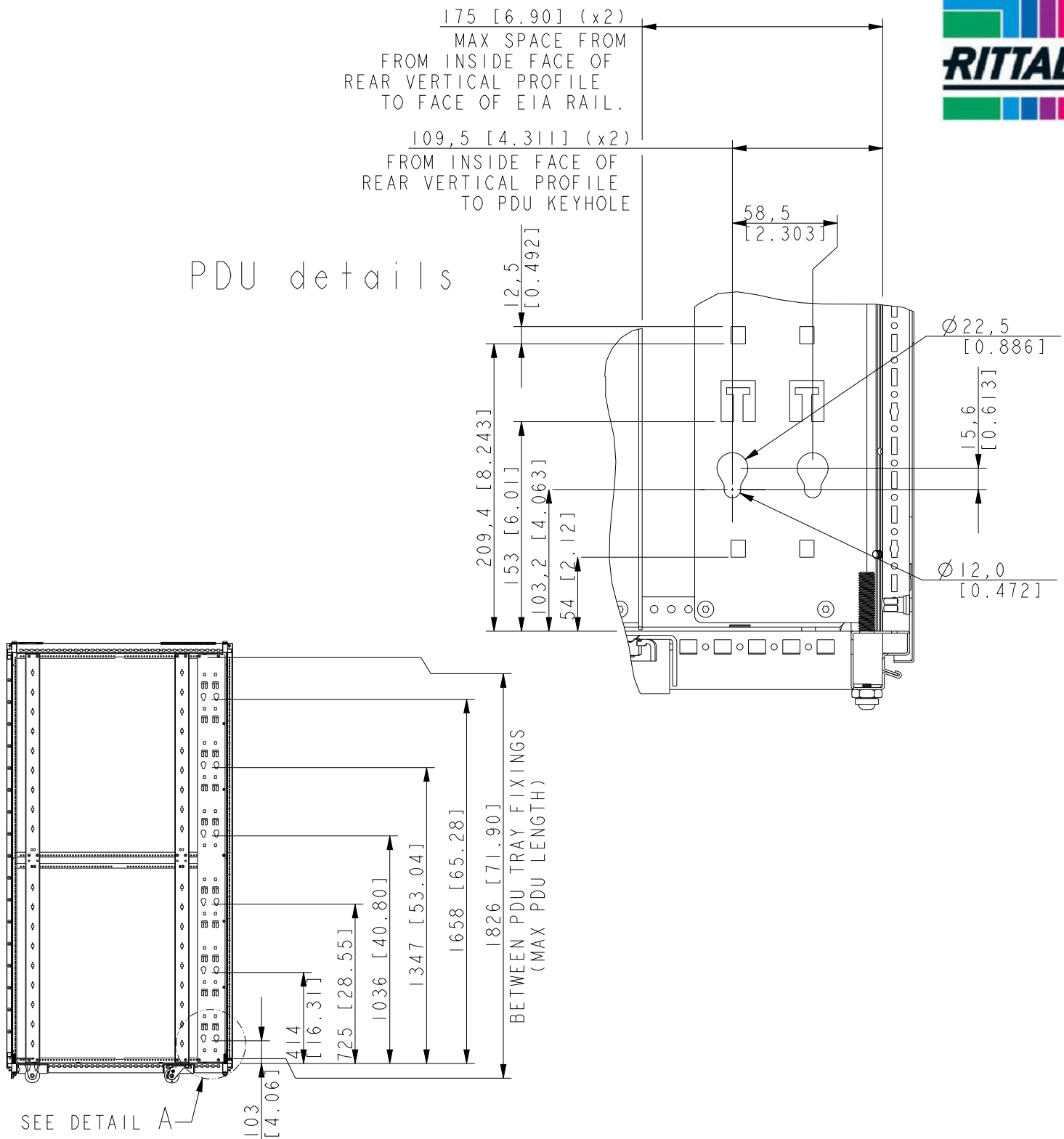
SOFTWARE & SERVICES



# Rittal Specification Sheet



PDU details



TS IT Pro Rack	
SPECIFICATION FOR: TS IT Pro 42U0600W1070D RAL9005 Without SIDES	
9982203	
RITTAL	

ALL DIMENSIONS ARE REFERENCE ONLY.

ENCLOSURES

POWER DISTRIBUTION

CLIMATE CONTROL

IT INFRASTRUCTURE

SOFTWARE & SERVICES

