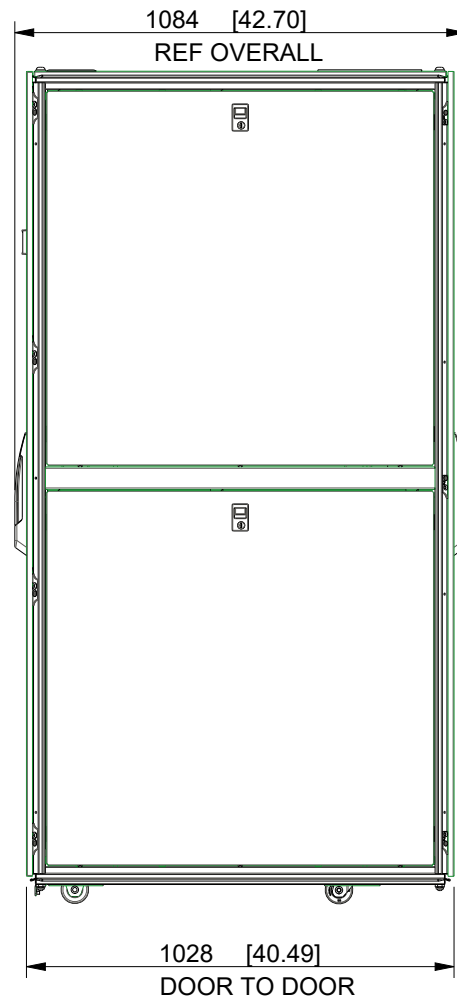
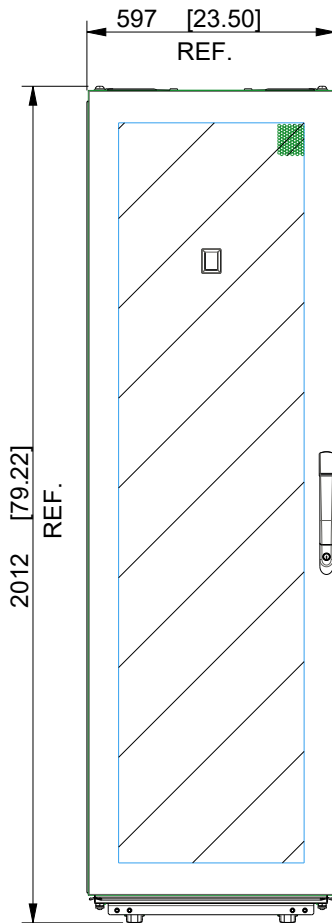
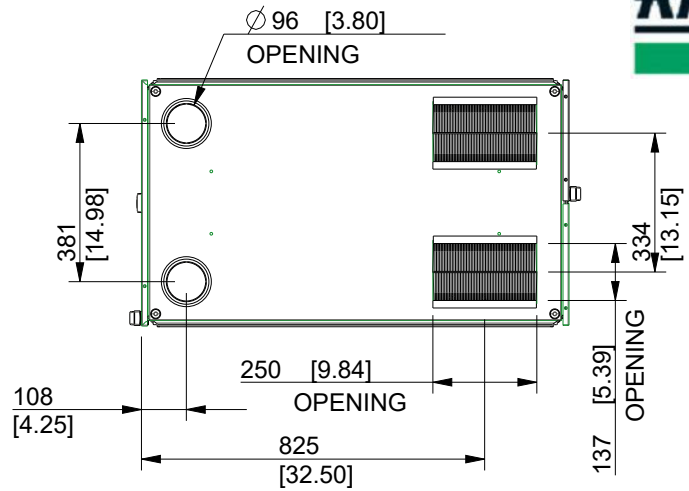


Rittal Specification Sheet



Part Number:	9982202
Revision:	A
Description:	TS IT Pro 42Ux600Wx1070D RAL9005 BLACK WITH SIDES
Rack Weight: (Unpackaged)	117kg (258lbs)



TS IT Pro Rack	
SPECIFICATION FOR: TS IT Pro 42U06500W1070D RAL9005 W SIDES	
9982202	
RITTAL	

ALL DIMENSIONS ARE REFERENCE ONLY.

ENCLOSURES

POWER DISTRIBUTION

CLIMATE CONTROL

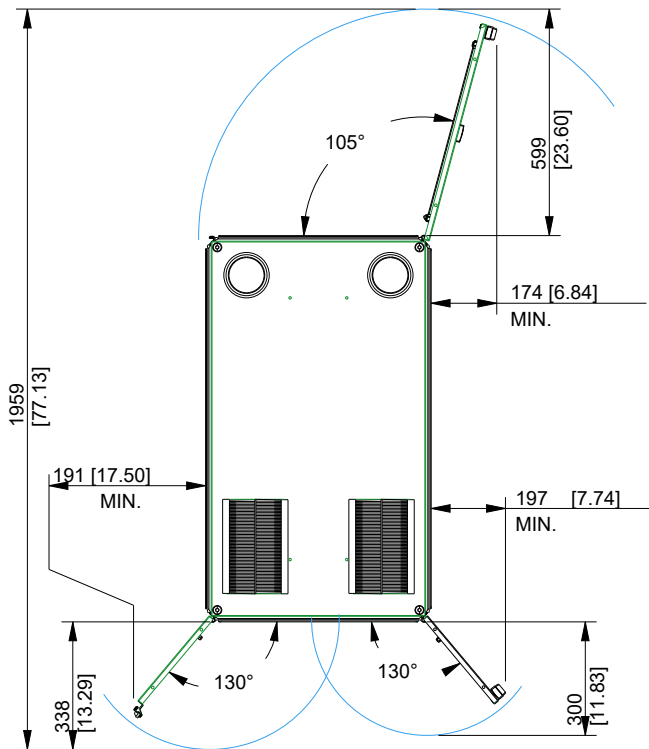
IT INFRASTRUCTURE

SOFTWARE & SERVICES

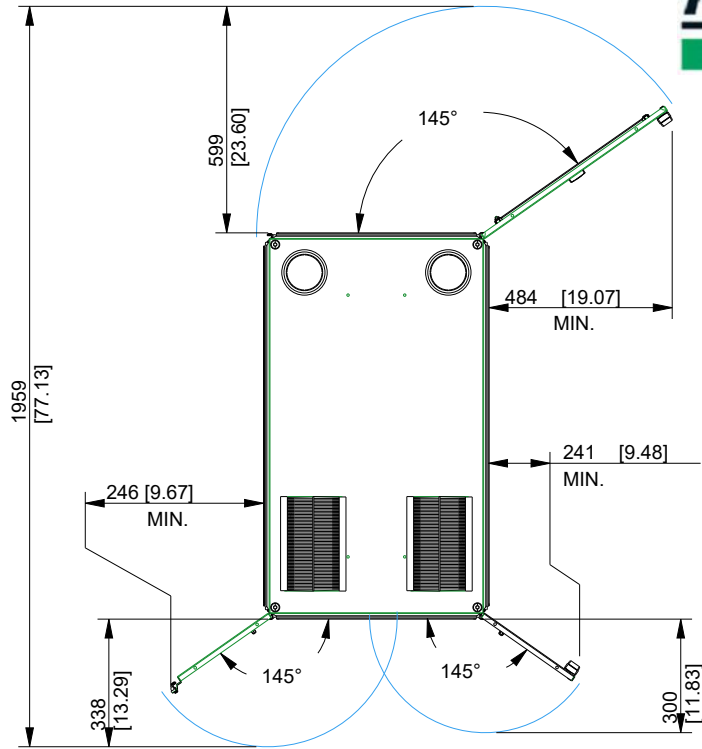


Rittal Specification Sheet

Door opening details

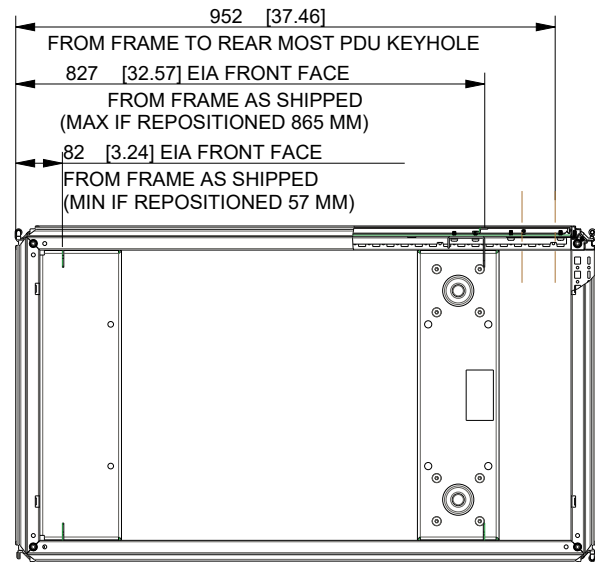
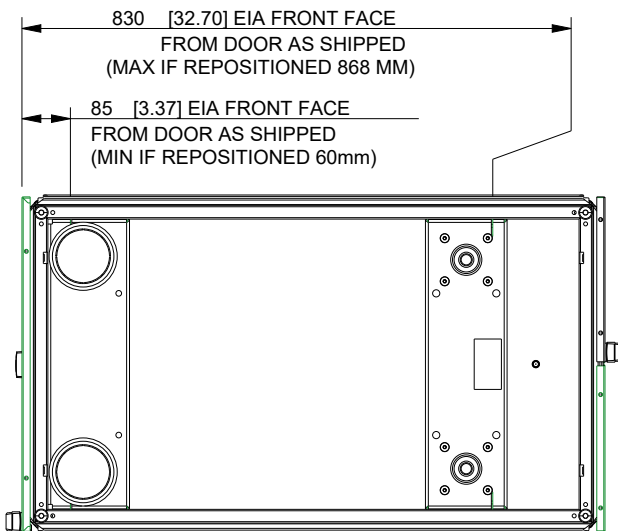


Doors maximum opening angles when bayed showing minimum required space for opening doors



Doors maximum opening angles when not bayed showing minimum required space for opening doors

EIA rail details



TS IT Pro Rack	
SPECIFICATION FOR: TS IT Pro 42U0600W1070D RAL9005 W SIDES	
9982202	
RITTAL	

ALL DIMENSIONS ARE REFERENCE ONLY.

ENCLOSURES

POWER DISTRIBUTION

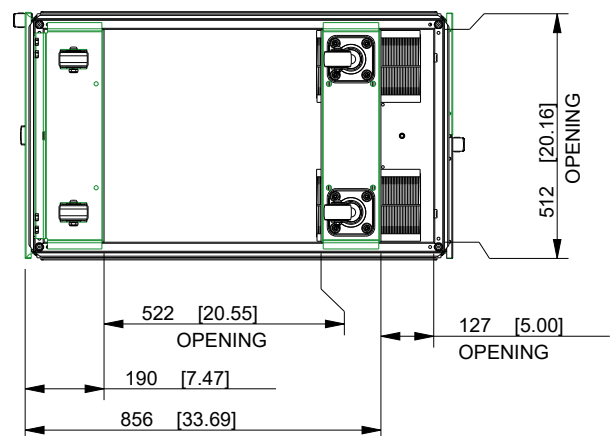
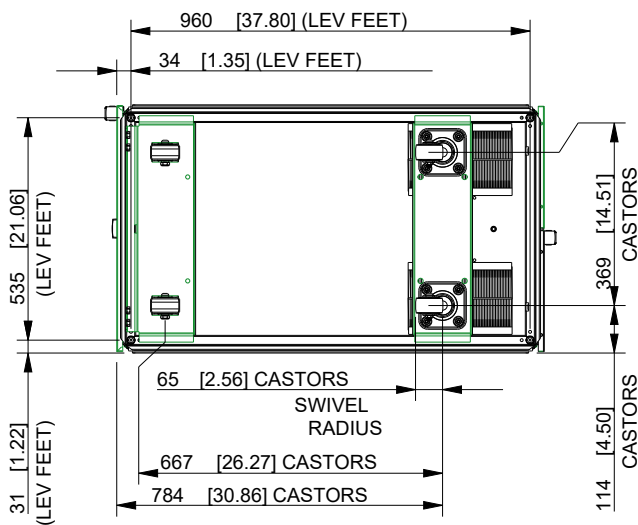
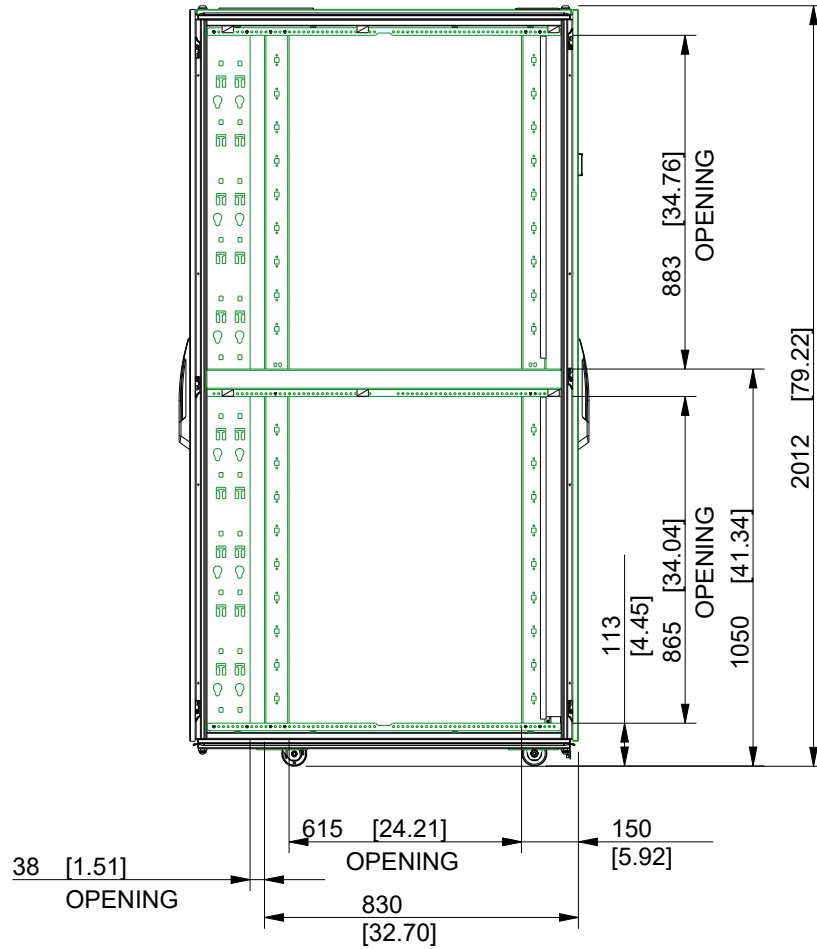
CLIMATE CONTROL

IT INFRASTRUCTURE

SOFTWARE & SERVICES



Rittal Specification Sheet



TS IT Pro Rack	
SPECIFICATION FOR: TS IT Pro 42U0600W1070D RAL9005 W SIDES	
9982202	
RITTAL	

VIEWS FROM BOTTOM SHOWING CASTORS AND OPENINGS

ALL DIMENSIONS ARE REFERENCE ONLY.

ENCLOSURES

POWER DISTRIBUTION

CLIMATE CONTROL

IT INFRASTRUCTURE

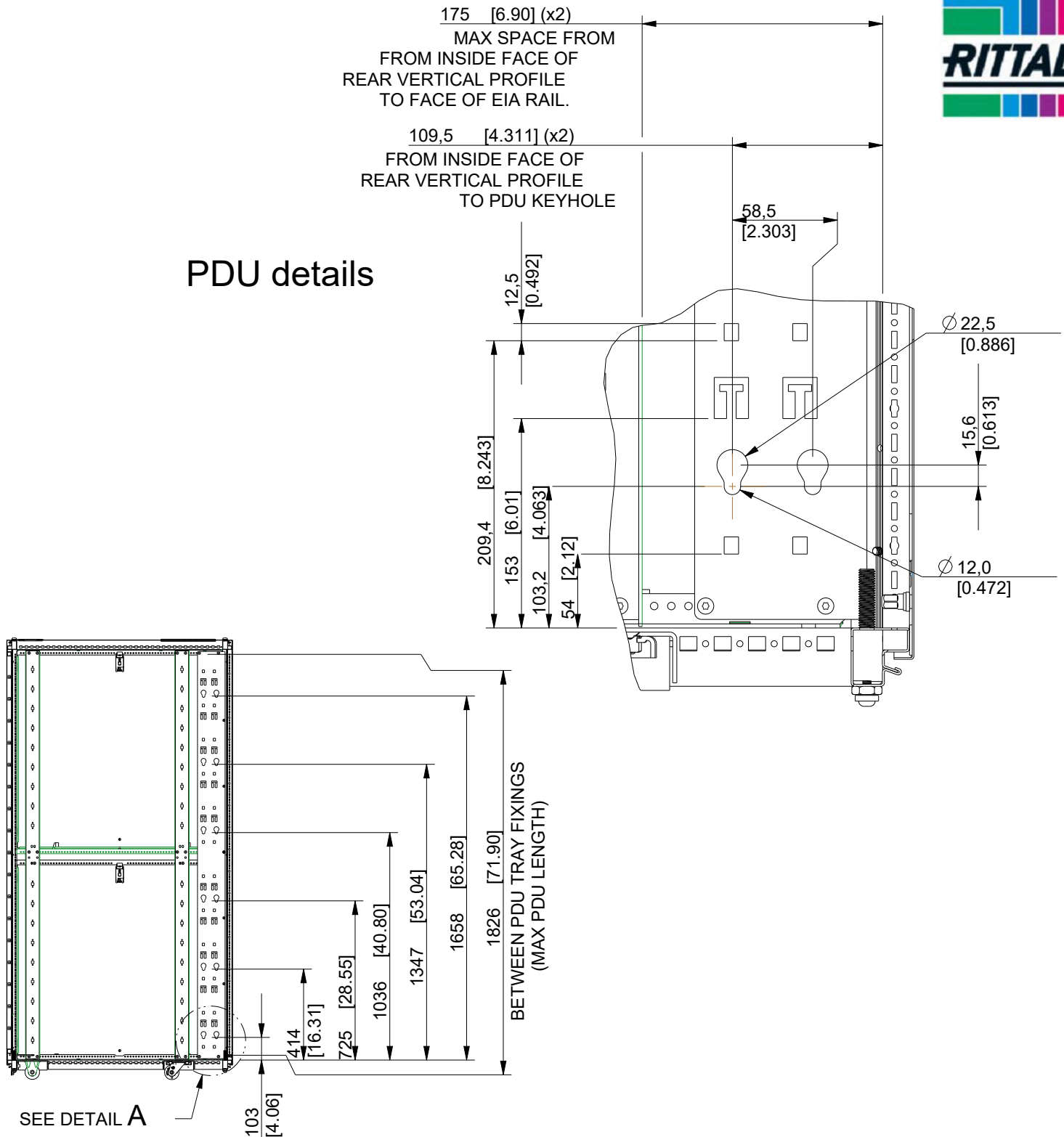
SOFTWARE & SERVICES



Rittal Specification Sheet



PDU details



TS IT Pro Rack	
SPECIFICATION FOR: TS IT Pro 42U0600W1070D RAL9005 W SIDES	
9982202	
RITTAL	

ALL DIMENSIONS ARE REFERENCE ONLY.

ENCLOSURES

POWER DISTRIBUTION

CLIMATE CONTROL

IT INFRASTRUCTURE

SOFTWARE & SERVICES

