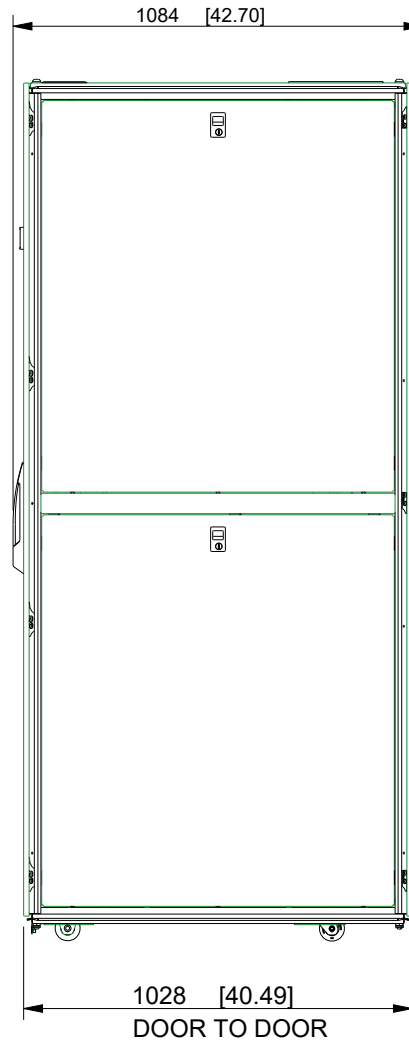
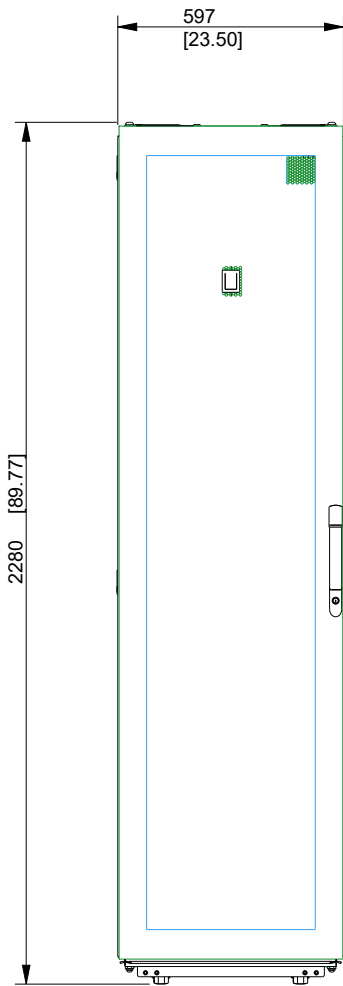
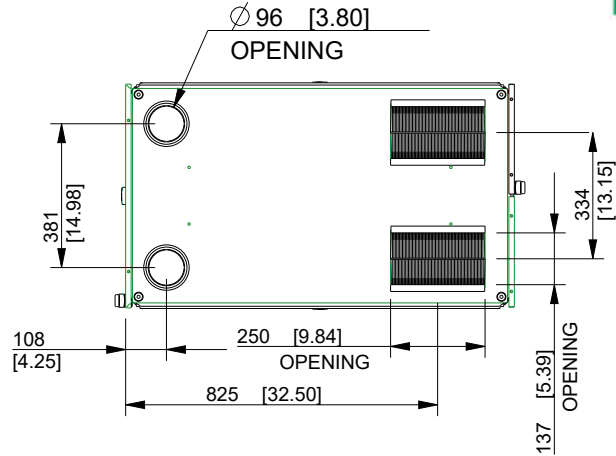


Rittal Specification Sheet



Part Number:	9982210
Revision:	A
Description:	TS IT Pro 48Ux600Wx1070D RAL9005 BLACK WITH SIDES
Rack Weight: (Unpackaged)	134Kg (295lbs)



TS IT Pro Rack	
SPECIFICATION FOR: TS IT Pro 48U0600W1070D RAL9005 W SIDES	
9982210	
RITTAL	

ALL DIMENSIONS ARE REFERENCE ONLY.

ENCLOSURES

POWER DISTRIBUTION

CLIMATE CONTROL

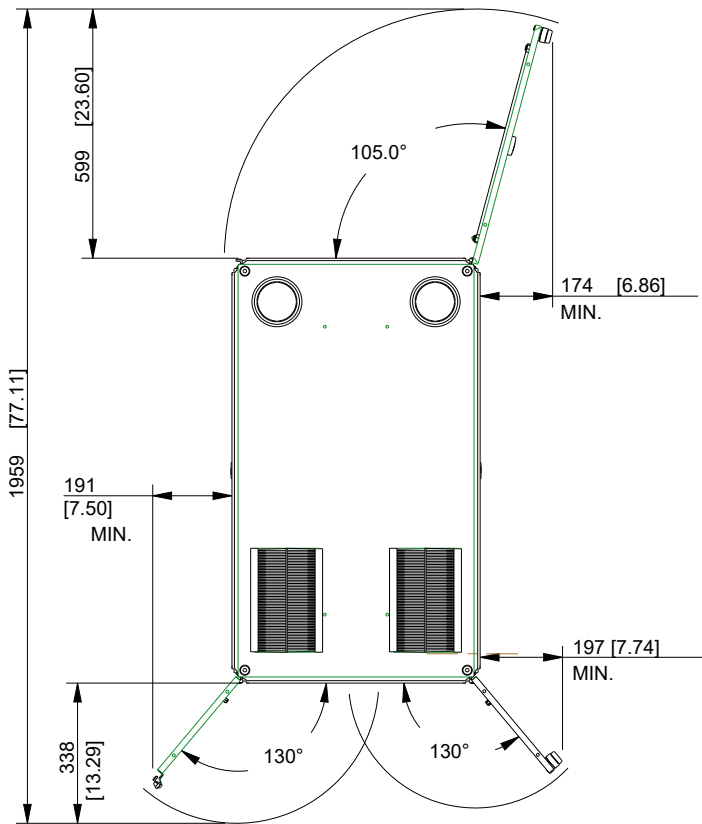
IT INFRASTRUCTURE

SOFTWARE & SERVICES

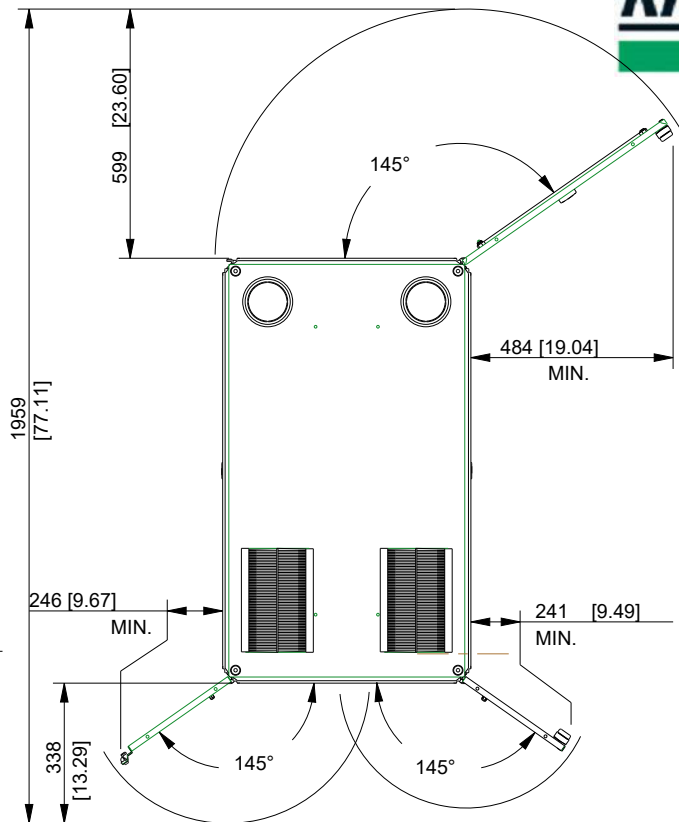


Rittal Specification Sheet

Door opening details

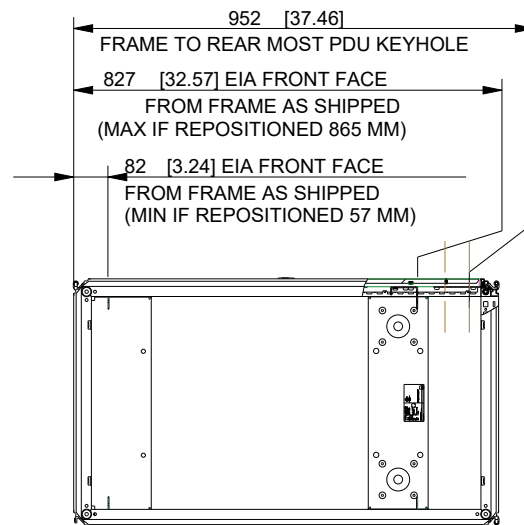
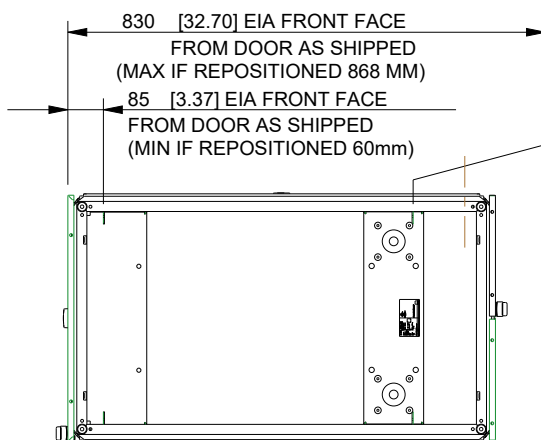


Doors maximum opening angles when bayed showing minimum required space for opening doors



Doors maximum opening angles when not bayed showing minimum required space for opening doors

EIA rail details



TS IT Pro Rack	
SPECIFICATION FOR: TS IT Pro 48U0600W1070D RAL9005 W SIDES	
9982210	
RITTAL-CSM, UK.	

ALL DIMENSIONS ARE REFERENCE ONLY.

ENCLOSURES

POWER DISTRIBUTION

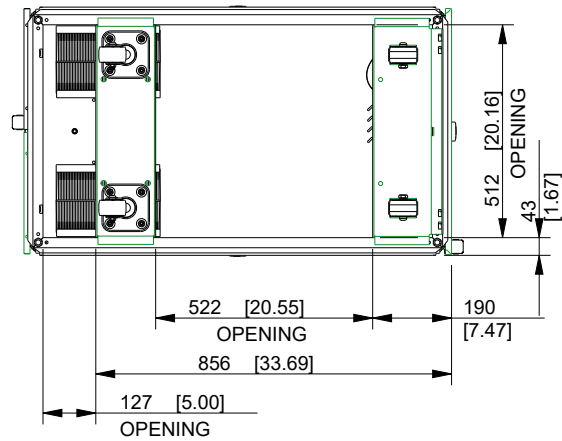
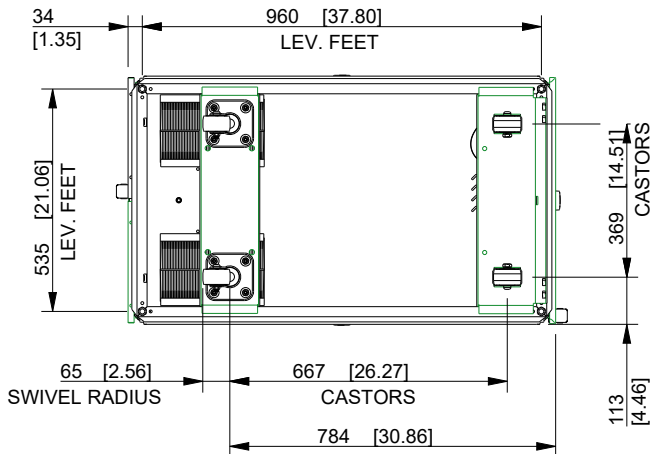
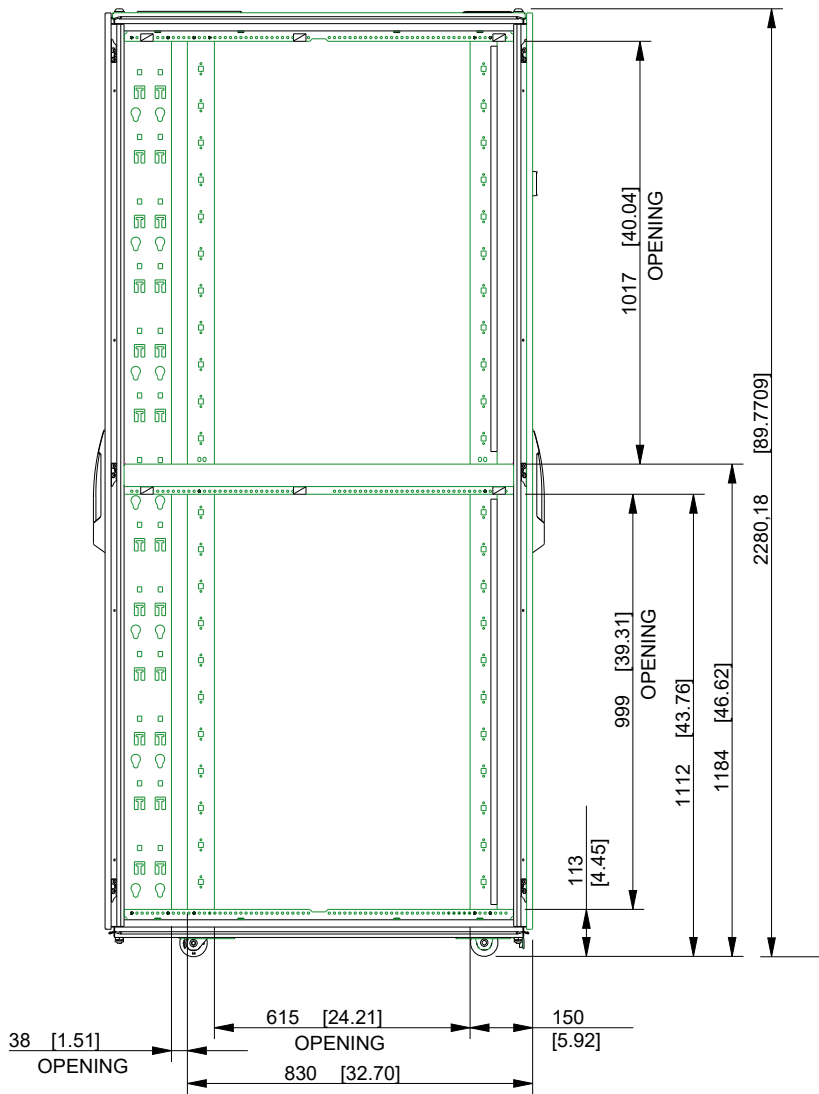
CLIMATE CONTROL

IT INFRASTRUCTURE

SOFTWARE & SERVICES



Rittal Specification Sheet



VIEW FROM UNDERSIDE SHOWING CASTORS AND OPENINGS

TS IT Pro Rack	
SPECIFICATION FOR: TS IT Pro 48U0600W1070 RAL9005 W SIDES	
9982210	
RITTAL-CSM, UK.	

ALL DIMENSIONS ARE REFERENCE ONLY.

ENCLOSURES

POWER DISTRIBUTION

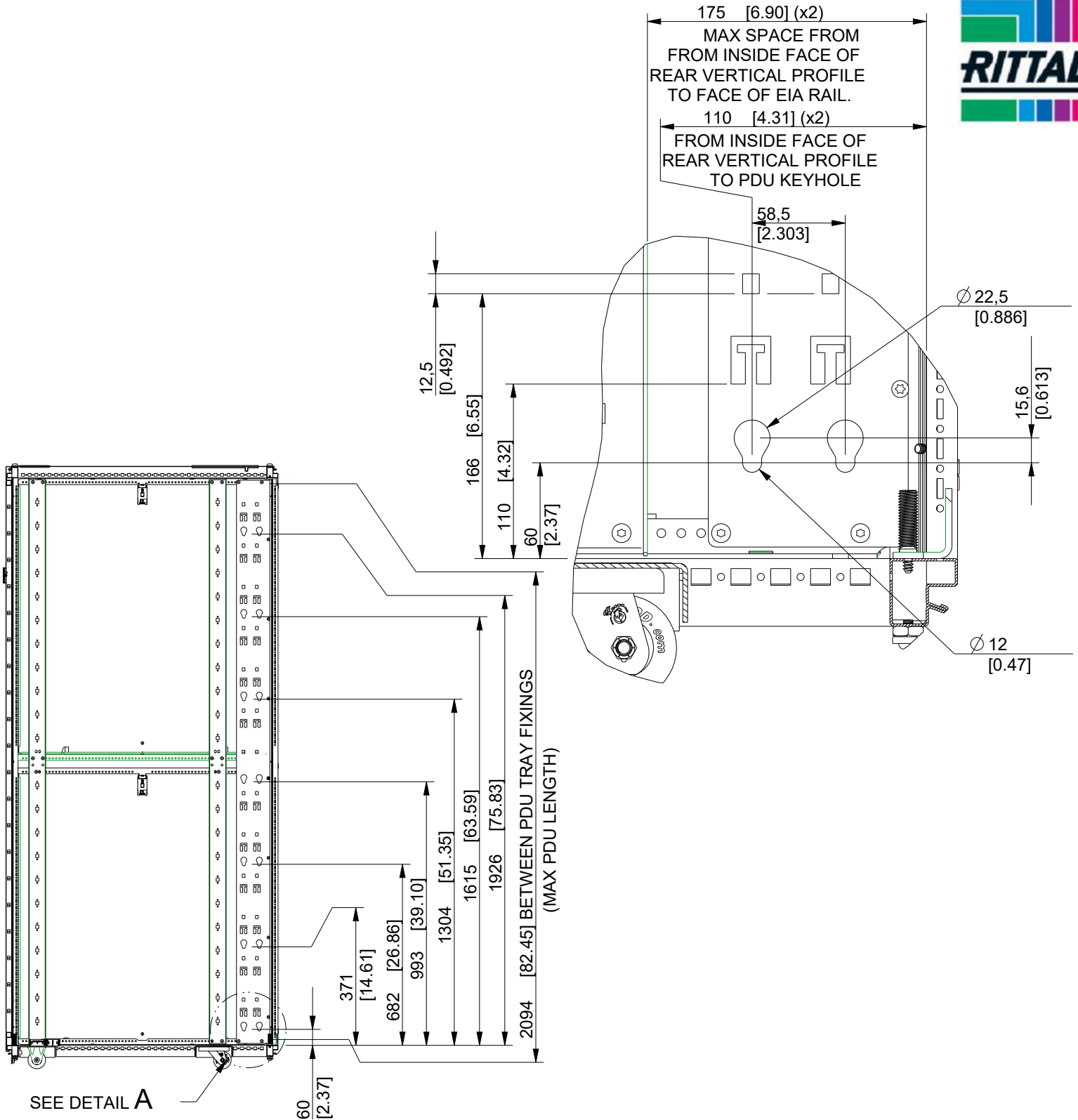
CLIMATE CONTROL

IT INFRASTRUCTURE

SOFTWARE & SERVICES



Rittal Specification Sheet



TS IT Pro Rack	
SPECIFICATION FOR: TS IT Pro 48U0600W11200D RAL9005 W SIDES	
9982210	
RITTAL-CSM, UK.	

ALL DIMENSIONS ARE REFERENCE ONLY.

