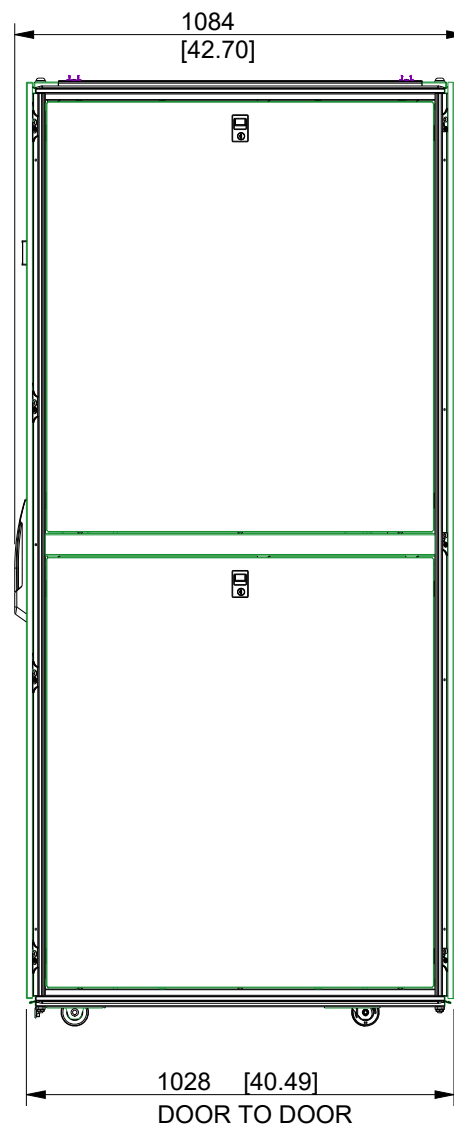
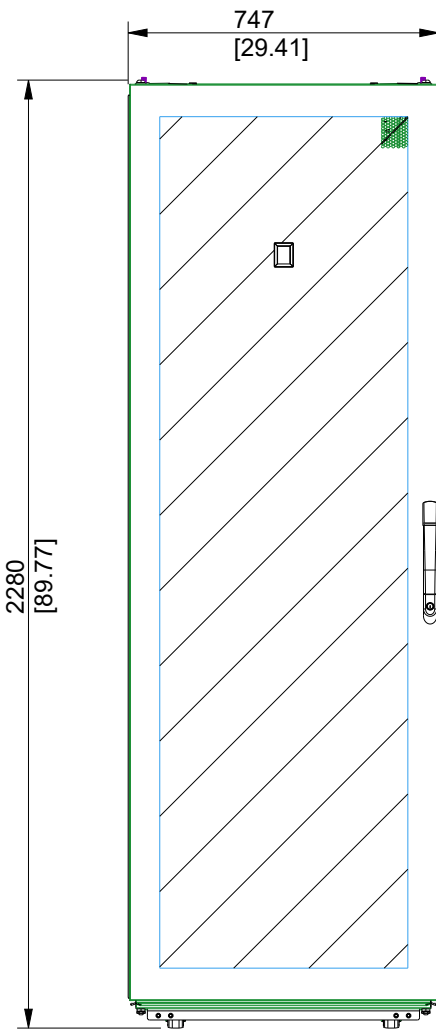
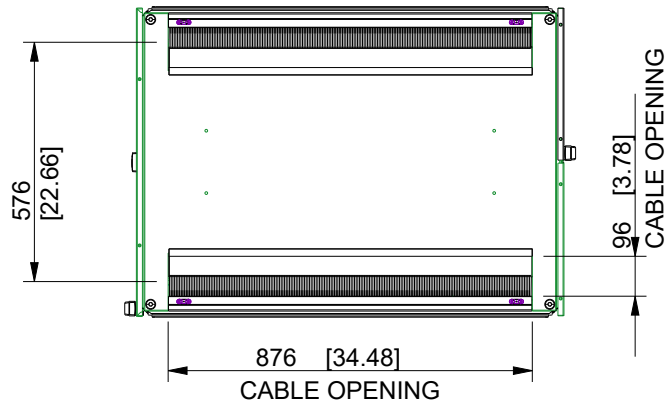


Rittal Specification Sheet



Part Number:	9982212
Revision:	A
Description:	TS IT Pro 48Ux750Wx1070D RAL9005 BLACK WITH SIDES
Rack Weight: (Unpackaged)	163.5Kg (361lbs)



TS IT Pro Rack	
SPECIFICATION FOR: TS IT Pro 48U0750W1070D RAL9005 W SIDES	
9982212	
RITTAL-CSM, UK.	

ALL DIMENSIONS ARE REFERENCE ONLY.

ENCLOSURES

POWER DISTRIBUTION

CLIMATE CONTROL

IT INFRASTRUCTURE

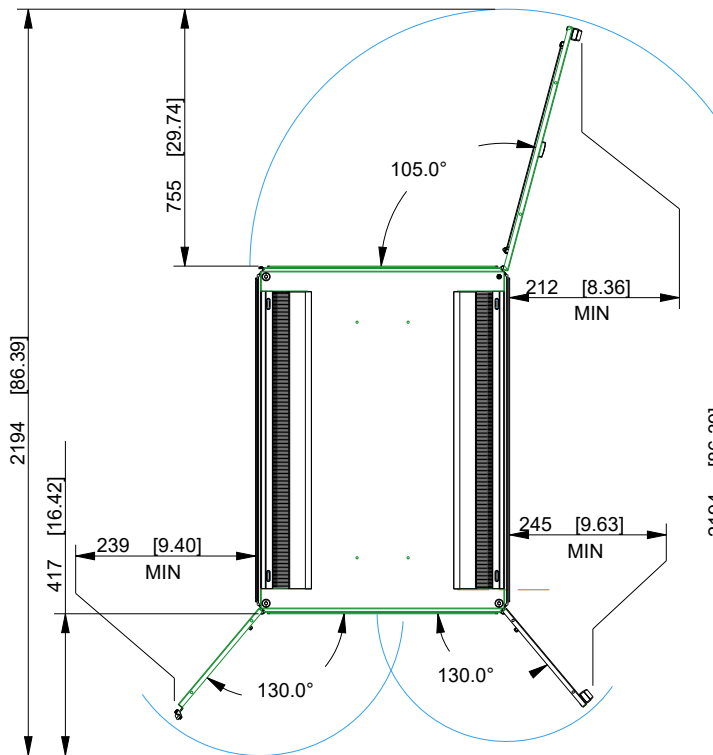
SOFTWARE & SERVICES



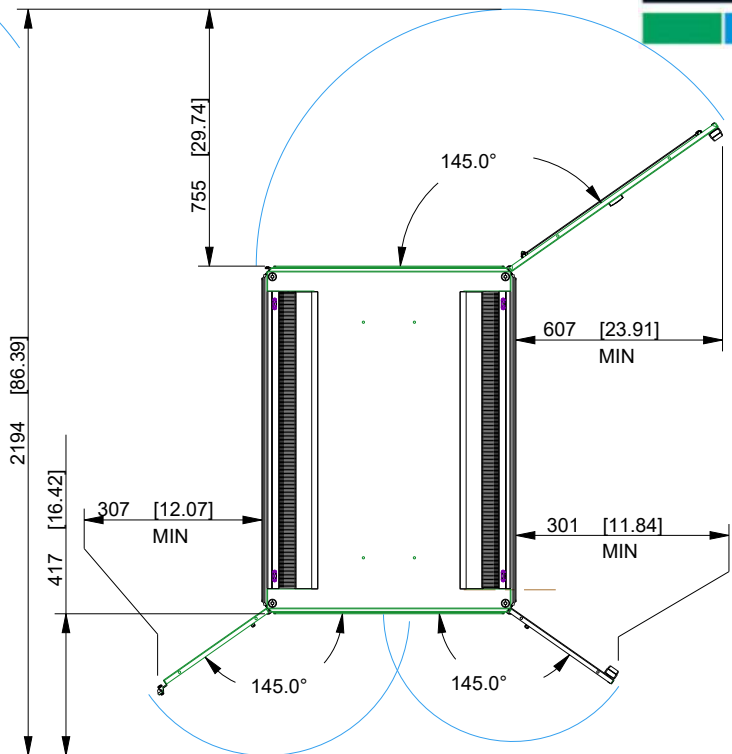
Rittal Specification Sheet



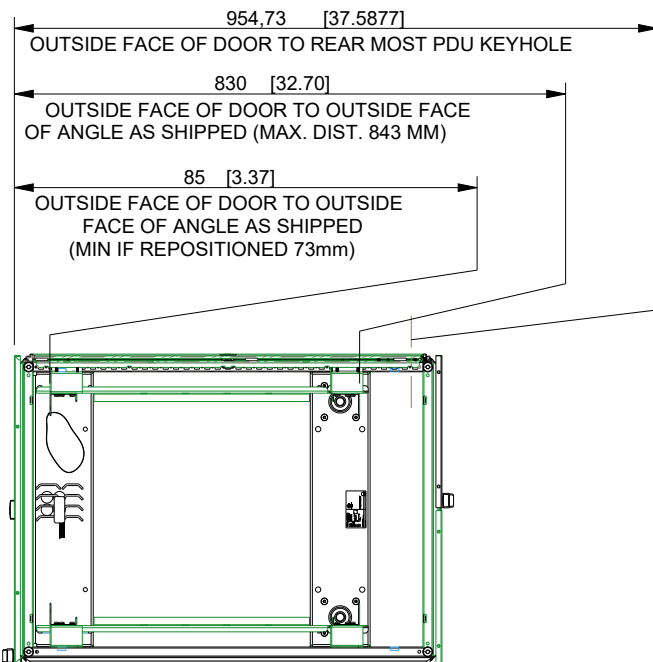
Door opening details



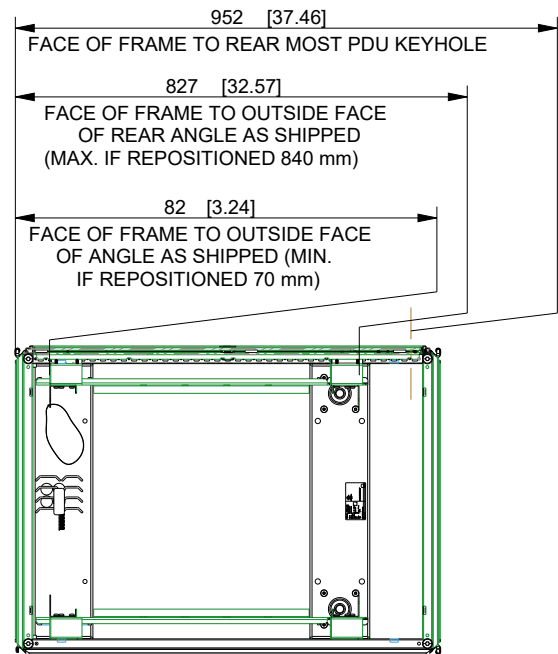
Doors maximum opening angles when bayed showing minimum required space for opening doors



Doors maximum opening angles when not bayed showing minimum required space for opening doors



EIA rail details



TS IT Pro Rack	
SPECIFICATION FOR: TS IT Pro 48U0750W1070D RAL9005 W SIDES	
9982212	
RITTAL-CSM, UK.	

ALL DIMENSIONS ARE REFERENCE ONLY.

ENCLOSURES

POWER DISTRIBUTION

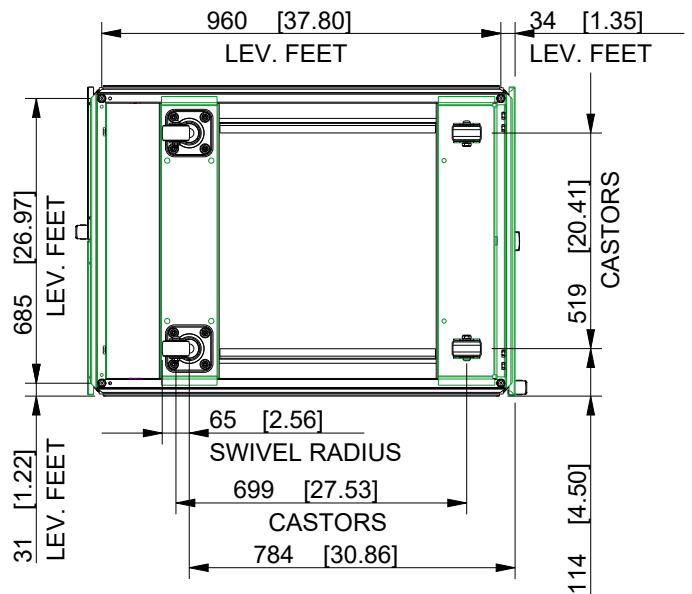
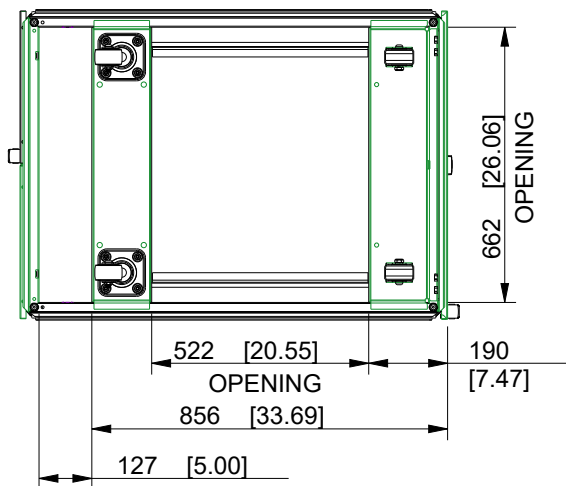
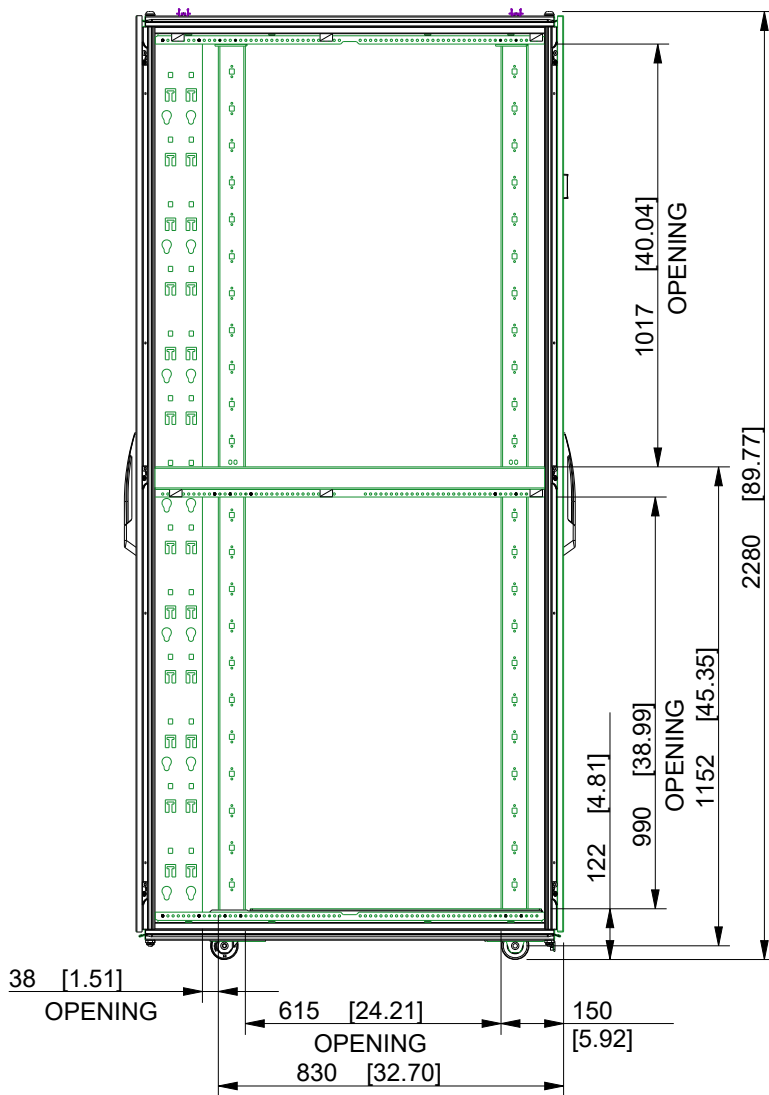
CLIMATE CONTROL

IT INFRASTRUCTURE

SOFTWARE & SERVICES



Rittal Specification Sheet



VIEW FROM BOTTOM SHOWING CASTORS AND OPENINGS

TS IT Pro Rack	
SPECIFICATION FOR: TS IT Pro 48U0750W1070D RAL9005 W SIDES	
9982212	
RITTAL-CSM, UK.	

ALL DIMENSIONS ARE REFERENCE ONLY.

ENCLOSURES

POWER DISTRIBUTION

CLIMATE CONTROL

IT INFRASTRUCTURE

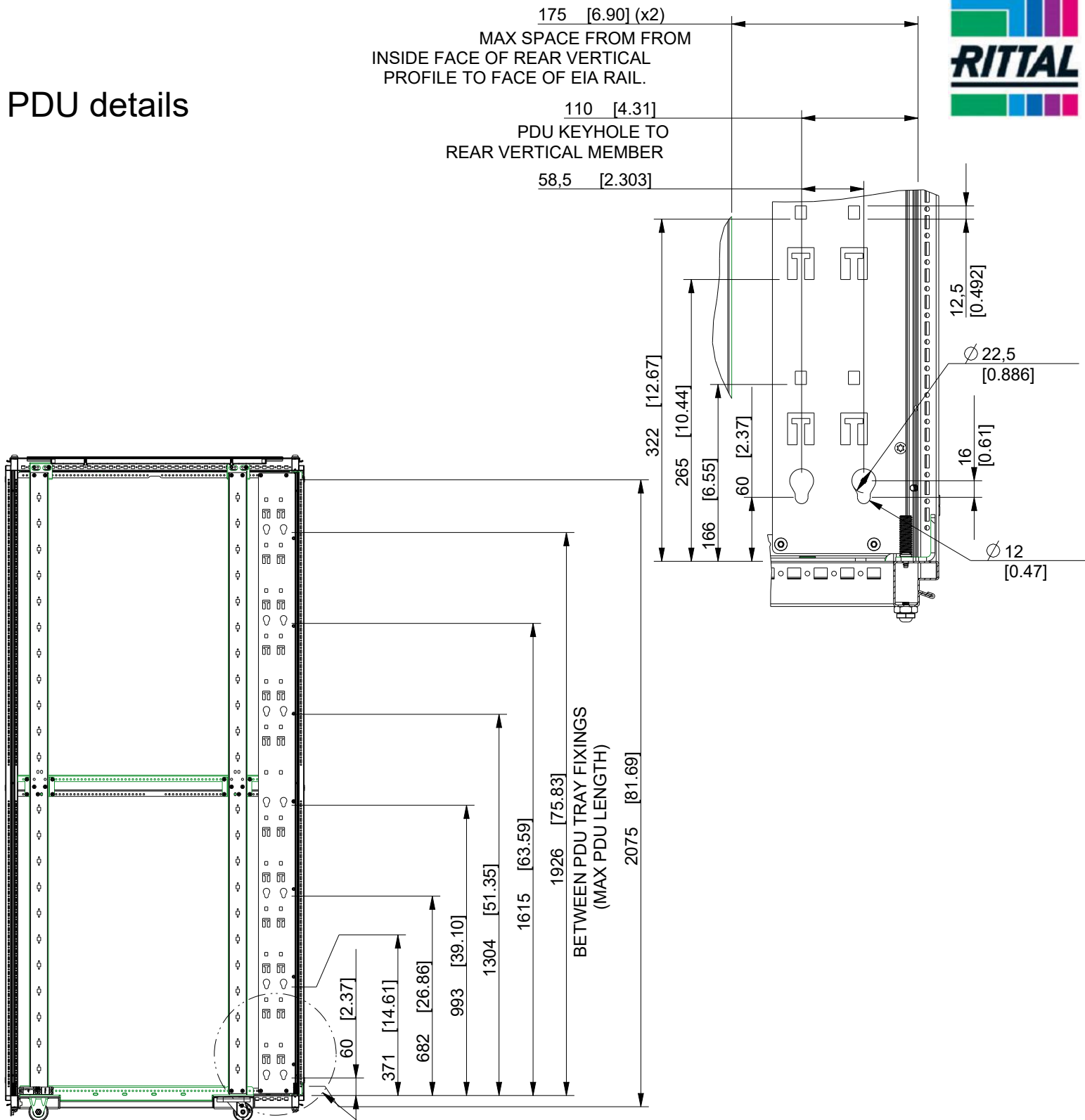
SOFTWARE & SERVICES



Rittal Specification Sheet



PDU details



TS IT Pro Rack	
SPECIFICATION FOR: TS IT Pro 48U0750W1070D RAL9005 W SIDES	
9982212	
RITTAL-CSM, UK.	

SEE DETAIL B

ALL DIMENSIONS ARE REFERENCE ONLY.

ENCLOSURES

POWER DISTRIBUTION

CLIMATE CONTROL

IT INFRASTRUCTURE

SOFTWARE & SERVICES

